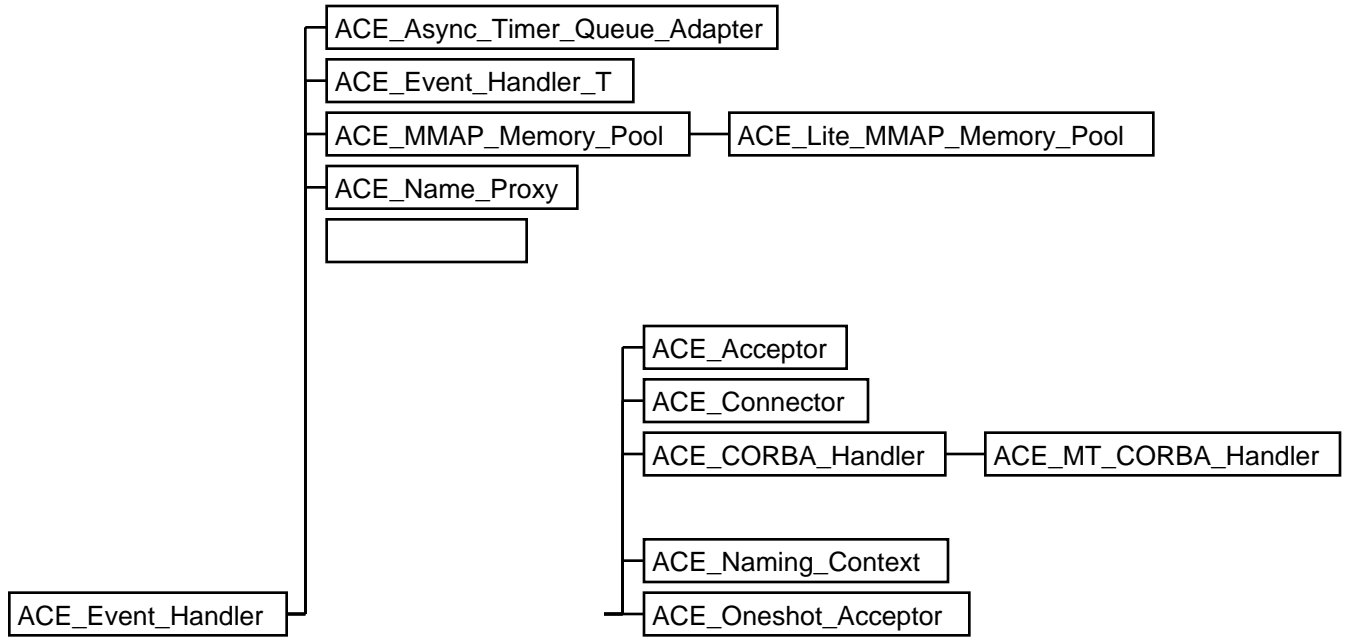
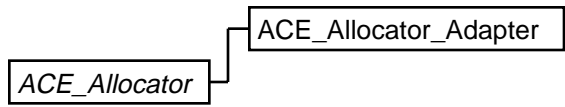


ACE_CORBA_1 ()



ACE_LSOCK

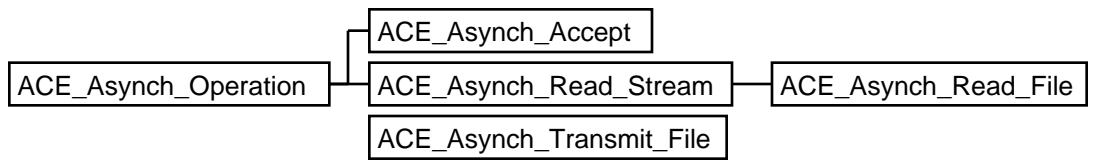
ACE_Addr



ACE_ARGV

ACE_Array

ACE_Array_Iterator



ACE_Driver

ACE_Dumpable — ACE_Dumpable_Adapter

ACE_Dumpable_Ptr

ACE_Dynamic

ACE_Dynamic_Service

struct ACE_Profile_Timer::ACE_Elapsed_Time

struct ACE_Profile_Timer::ACE_Elapsed_Time

ACE_Env_Value

ACE_Event — ACE_Auto_Event

ACE_Mutex

ACE_Local_Name_Space

ACE_Name_Space

ACE_Name_Node

ACE_Security_Options

ACE_Environment

ACE_Environment

ACE_Environment

ACE_Name_Space

ACE_Local_Name_Space

ACE_Ordered_MultiSet_Iterator

ACE_OS

struct ACE_OVERLAPPED

struct ACE_OVERLAPPED

ACE_Dummy_Node

ACE_Parse_Node

ACE_Dynamic_Node

ACE_Pipe

ACE_Predefined_Naming_Contexts

ACE_Proactor

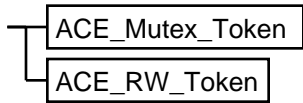
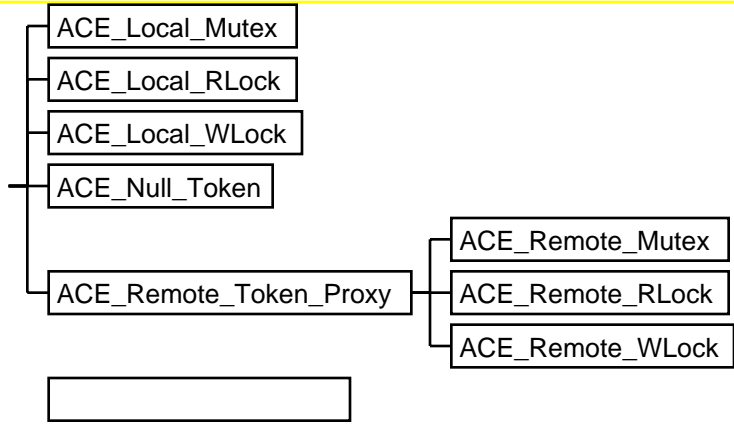
ACE_Proactor_Handle_Timeout_Upcall

ACE_Process

ACE_Module_Type

ACE_LSOCK_Connector





ACE_Unbounded_Queue_Iterator

ACE_Unbounded_Set

ACE_Unbounded_Set_Iterator

ACE_Unbounded_Stack

ACE_Unbounded_Stack_Iterator

ACE_WFMO_Reactor_Handler_Repository

ACE_WString

— ACE_Str_Buf
ACE_Streambuf

