



ACPI Component Architecture

User Guide and Programmer Reference

OS-Independent Kernel Subsystem, Debugger, and Utilities

Revision 6.2

July 17, 2015





Information in this document is provided in connection with Intel® products. No license, express or implied, by estoppel or otherwise, to any intellectual property rights is granted by this document. Except as provided in Intel's Terms and Conditions of Sale for such products, Intel assumes no liability whatsoever, and Intel disclaims any express or implied warranty, relating to sale and/or use of Intel products including liability or warranties relating to fitness for a particular purpose, merchantability, or infringement of any patent, copyright or other intellectual property right. Intel products are not intended for use in medical, life saving, or life sustaining applications.

Intel may make changes to specifications and product descriptions at any time, without notice.

Designers must not rely on the absence or characteristics of any features or instructions marked "reserved" or "undefined." Intel reserves these for future definition and shall have no responsibility whatsoever for conflicts or incompatibilities arising from future changes to them.

The ACPI Component Architecture may contain design defects or errors known as errata which may cause the product to deviate from published specifications. Current characterized errata are available on request.

Copyright © 2000 – 2015 Intel Corporation

*Other brands and names are the property of their respective owners.



Contents

1	Introduction	15
1.1	Document Structure	15
1.2	Rationale and Justification	15
1.3	Reference Documents	16
1.4	Document History	16
1.5	Overview of the ACPI Component Architecture	18
2	Architecture Overview	20
2.1	Overview of the ACPICA Subsystem	20
2.1.1	OS-independent ACPICA Subsystem	20
2.1.2	Operating System Services Layer	21
2.1.3	Relationships Between Host OS, ACPICA, and Host OSL	22
2.1.3.1	General Architectural Model	22
2.1.3.2	Host Operating System Interaction	22
2.1.3.3	OS Services Layer Interaction	22
2.1.3.4	ACPICA Subsystem Interaction	22
2.2	Architecture of the ACPICA Subsystem	23
2.2.1	ACPI Table Management	24
2.2.2	Early ACPI Table Access	24
2.2.3	AML Interpreter	24
2.2.4	Namespace Management	25
2.2.5	Resource Management	25
2.2.6	ACPI Hardware Management	25
2.2.7	Event Handling	25
2.2.8	Requests from Host OS to ACPICA Subsystem	26
2.3	Architecture of the OS Services Layer (OSL)	26
2.3.1	Types of OSL Services	27
2.3.2	Requests from ACPICA Subsystem to OS	27
3	Design Details	29
3.1	ACPI Namespace Fundamentals	29
3.1.1	Named Objects	29
3.1.2	Scopes	29
3.1.2.1	Example Namespace Scopes, Names, and Objects	29
3.1.3	Predefined Objects	30
3.1.4	Logical Namespace Layout	30
3.2	Execution Model	31
3.2.1	Initialization	31
3.2.2	Memory Allocation	32
3.2.2.1	Caller Allocates All Buffers	32
3.2.2.2	ACPI Allocates Return Buffers	32
3.2.3	Parameter Validation	33
3.2.4	Exception Handling	33
3.2.5	Multitasking and Reentrancy	33
3.2.6	Event Handling	33
3.2.6.1	Fixed Events	34
3.2.6.2	General Purpose Events	34
3.2.6.3	Notify Events	34
3.2.7	Address Spaces and Operation Regions	34



	3.2.7.1	Installation of Address Space Handlers	35
	3.2.7.2	ACPI-Defined Address Spaces	35
	3.2.7.3	Sharing Resources between Device Drivers and AML	36
3.3		Policies and Philosophies	38
	3.3.1	External Interfaces	38
	3.3.1.1	Exception Codes	38
	3.3.1.2	Memory Buffers	38
	3.3.2	Subsystem Initialization	39
	3.3.2.1	ACPI Table Validation	39
	3.3.2.2	Required ACPI Tables.....	39
	3.3.3	Major Design Decisions	39
	3.3.3.1	Performance versus Code/Data Size.....	39
	3.3.3.2	Object Management – No Garbage Collection	40
4		Implementation Details -----	41
4.1		Required Host OS Initialization Sequence.....	41
	4.1.1	Bootload and Low Level Kernel Initialization	41
	4.1.2	ACPICA Subsystem Initialization	41
	4.1.3	Other OS Initialization	41
	4.1.4	Device Enumeration, Configuration, and Initialization	42
	4.1.5	Final OS Initialization	42
4.2		Required ACPICA Initialization Sequence.....	42
	4.2.1	Global Initialization – AcpiInitializeSubsystem.....	42
	4.2.2	ACPI Table and Namespace Initialization	42
	4.2.2.1	AcpiInitializeTables.....	42
	4.2.2.2	AcpiGetTable, AcpiGetTableHeader, AcpiGetTableByIndex..	42
	4.2.2.3	AcpiLoadTables.....	43
	4.2.2.4	Internal ACPI Namespace Initialization.....	43
	4.2.3	Hardware Initialization – AcpiEnableSubsystem	43
	4.2.3.1	ACPI Hardware and Event Initialization	43
	4.2.4	Handler Installation	44
	4.2.4.1	Handler Types	44
	4.2.5	Object Initialization – AcpiInitializeObjects	45
	4.2.5.1	ACPI Device Initialization	45
	4.2.5.2	Other ACPI Object Initialization.....	46
	4.2.6	Other Operating System ACPI-related Initialization.....	46
	4.2.7	Just-in-time Operation Region Initialization	46
	4.2.7.1	SystemMemory Region Initialization	47
	4.2.7.2	PCI_Config Region Initialization.....	47
	4.2.8	System Shutdown – AcpiTerminate.....	48
4.3		Multithreading Support.....	48
	4.3.1	Reentrancy.....	48
	4.3.2	Mutual Exclusion and Synchronization	48
	4.3.2.1	Internal use of Mutex Objects	48
	4.3.2.2	Internal use of Spinlock Objects.....	49
	4.3.3	Control Method Execution.....	50
	4.3.3.1	Control Method Blocking	50
	4.3.3.2	Control Method Execution Rules.....	50
	4.3.3.3	A Simple Multithreading Model	51
	4.3.3.4	A More Complex Multithreading Model	52
	4.3.4	ACPI Global Lock Support.....	53
	4.3.4.1	Obtaining The Global Lock.....	54
	4.3.4.2	Releasing the Global Lock	54
	4.3.4.3	Global Lock Interrupt Handler	54
	4.3.5	Single Thread Environments.....	54



- 4.4 General Purpose Event (GPE) Support 55
 - 4.4.1 Maximum Number of GPEs 55
 - 4.4.1.1 Extended (X) GPE Structure Limitations 55
 - 4.4.1.2 Legacy GPE Limitations 55
 - 4.4.1.3 ACPICA Implementation 57
 - 4.4.2 Runtime and Wake GPEs 57
 - 4.4.2.1 Execution of _PRW Methods 58
 - 4.4.2.2 Implicit Notify Support 58
 - 4.4.3 Using the ACPICA GPE Support Code 59
 - 4.4.3.1 Host OS Initialization 59
 - 4.4.3.2 GPE Handlers 60
 - 4.4.3.3 Load and LoadTable ASL/AML Operators 61
 - 4.4.3.4 GPE Block Devices 61
- 4.5 Miscellaneous ACPICA Behavior 62
 - 4.5.1 Why ACPICA Cannot Use C Bitfields 62
 - 4.5.2 Dynamically Loaded ACPI Tables 62
 - 4.5.3 Bus Master Arbitration (ARB_DIS) 63
- 5 ACPICA Subsystem Features ----- 64**
 - 5.1 ACPI 5.0 Support 64
 - 5.1.1 Reduced Hardware Platforms 64
 - 5.1.1.1 Runtime Reduced Hardware Support 64
 - 5.1.1.2 Compile-Time Reduced Hardware Support 64
 - 5.1.2 New and Existing ACPI Tables 65
 - 5.1.3 Operation Regions and Space IDs 65
 - 5.1.4 Resource Descriptors 66
 - 5.1.5 ASL/AML Support 66
 - 5.1.6 Predefined ACPI Names 66
 - 5.1.7 ACPICA External Interfaces 67
 - 5.1.8 Miscellaneous and Tools 67
 - 5.1.9 ACPI Table Definition Language 67
 - 5.1.10 GPIO Event Model for ACPICA 68
 - 5.2 AML Interpreter Slack Mode 68
 - 5.3 AML Interpreter Math Mode (32-bit or 64-bit) 69
 - 5.4 Predefined Control Method Validation 69
 - 5.5 I/O Port Protection 69
 - 5.6 Debugging Support 70
 - 5.6.1 Error and Warning Messages 70
 - 5.6.2 Execution Debug Output (ACPI_DEBUG_PRINT Macro) 71
 - 5.6.3 Function Tracing (ACPI_FUNCTION_TRACE Macro) 71
 - 5.6.4 ACPICA Debugger 72
 - 5.7 Environmental Support Requirements 72
 - 5.7.1 Resource Requirements 72
 - 5.7.2 C Library Functions 72
 - 5.7.3 Source Code Organization 74
 - 5.7.4 System Include Files 75
 - 5.7.4.1 Customization to the Target Environment 75
- 6 Data Types and Interface Parameters ----- 76**
 - 6.1 ACPICA Interface Parameters 76
 - 6.1.1 ACPI Names and Pathnames 76
 - 6.1.2 Pointers 76
 - 6.1.3 Buffers 76
 - 6.2 ACPICA Basic Data Types 77
 - 6.2.1 UINT64 and COMPILER_DEPENDENT_UINT64 77



6.2.2	ACPI_PHYSICAL_ADDRESS	77
6.2.3	ACPI_IO_ADDRESS	77
6.2.4	ACPI_SIZE	77
6.2.5	ACPI_STRING – ASCII String	77
6.2.6	ACPI_BUFFER – Input and Output Memory Buffers.....	77
6.2.6.1	Input Buffer	78
6.2.6.2	Output Buffer	78
6.2.7	ACPI_STATUS – Interface Exception Return Codes	79
6.2.8	ACPI_HANDLE – Object Handle	79
6.2.8.1	Predefined Handles.....	79
6.2.9	ACPI_OBJECT_TYPE – Object Type Codes	80
6.2.10	ACPI_OBJECT – Method Parameters and Return Objects	80
6.2.10.1	Using the ACPI_OBJECT.....	82
6.2.11	ACPI_OBJECT_LIST – List of Objects.....	83
6.2.12	ACPI_EVENT_TYPE – Fixed Event Type Codes.....	83
6.2.13	ACPI_TABLE_HEADER – Common ACPI Table Header	83
6.3	ACPI Resource Data Types.....	83
6.3.1	PCI IRQ Routing Tables	83
6.3.2	Device Resources.....	84
6.3.2.1	ACPI_RESOURCE_TYPE – Resource Data Types	84
6.4	ACPICA Exception Codes	86
7	Subsystem Configuration -----	90
7.1	Configuration Files	90
7.2	Component Selection.....	90
7.2.1	ACPI_DISASSEMBLER.....	90
7.2.2	ACPI_DEBUGGER	90
7.2.3	ACPI_REDUCED_HARDWARE.....	91
7.3	Configurable Data Types	92
7.3.1	ACPI_SPINLOCK	92
7.3.2	ACPI_SEMAPHORE.....	92
7.3.3	ACPI_MUTEX	92
7.3.4	ACPI_CPU_FLAGS	93
7.3.5	ACPI_THREAD_ID	93
7.3.6	ACPI_CACHE_T.....	93
7.3.7	ACPI_UINTPTR_T.....	93
7.4	Subsystem Compile-Time Options	93
7.4.1	ACPI_USE_SYSTEM_CLIBRARY	93
7.4.2	ACPI_USE_STANDARD_HEADERS.....	93
7.4.3	ACPI_DEBUG_OUTPUT.....	94
7.4.4	ACPI_USE_LOCAL_CACHE.....	94
7.4.5	ACPI_DBG_TRACK_ALLOCATIONS	94
7.4.6	ACPI_MUTEX_TYPE.....	94
7.4.7	ACPI_MUTEX_DEBUG	95
7.4.8	ACPI_SIMPLE_RETURN_MACROS	95
7.4.9	ACPI_USE_DO_WHILE_0	95
7.5	Per-Compiler Configuration	95
7.5.1	COMPILER_DEPENDENT_INT64	95
7.5.2	COMPILER_DEPENDENT_UINT64	96
7.5.3	ACPI_INLINE	96
7.5.4	ACPI_USE_NATIVE_DIVIDE	96
7.5.5	ACPI_DIV_64_BY_32 (Short 64-bit Divide).....	96
7.5.6	ACPI_SHIFT_RIGHT_64 (64-bit Shift)	97
7.5.7	ACPI_EXPORT_SYMBOL.....	97
7.5.8	ACPI_EXTERNAL_XFACE.....	97



- 7.5.9 ACPI_INTERNAL_XFACE..... 98
- 7.5.10 ACPI_INTERNAL_VAR_XFACE 98
- 7.5.11 ACPI_SYSTEM_XFACE..... 98
- 7.5.12 ACPI_PRINTF_LIKE..... 98
- 7.5.13 ACPI_UNUSED_VAR 98
- 7.6 Per-Machine Configuration 98
 - 7.6.1 ACPI_MACHINE_WIDTH..... 99
 - 7.6.2 ACPI_FLUSH_CPU_CACHE..... 99
 - 7.6.3 ACPI_OS_NAME 99
 - 7.6.4 ACPI_ACQUIRE_GLOBAL_LOCK..... 99
 - 7.6.5 ACPI_RELEASE_GLOBAL_LOCK..... 100
- 7.7 Subsystem Runtime Configuration 101
 - 7.7.1 Interpreter Slack Mode..... 101
 - 7.7.2 ACPI Register Widths 101
 - 7.7.3 Auto-Serialization of Control Methods 102
 - 7.7.4 Output from the AML Debug Object 102
 - 7.7.5 Copy the System DSDT to Local Memory 103
 - 7.7.6 Creation of _OSI Method 103
 - 7.7.7 I/O Address Truncation 103
 - 7.7.8 Runtime Validation/Repair of Predefined Names 103
 - 7.7.9 Reduced ACPI Hardware Flag..... 103
 - 7.7.10 Ignore XSDT, Use RSDT Instead 103
 - 7.7.11 Use 32-bit FADT Addresses to Resolve Conflicts 104
 - 7.7.12 Use 32-bit FACS Addresses to Resolve Conflicts 104
- 7.8 Subsystem Configuration Constants..... 104
 - 7.8.1 ACPI_CHECKSUM_ABORT..... 104
 - 7.8.2 ACPI_MAX_LOOP_ITERATIONS 104
 - 7.8.3 ACPI_MAX_STATE_CACHE_DEPTH 104
 - 7.8.4 ACPI_MAX_PARSE_CACHE_DEPTH..... 105
 - 7.8.5 ACPI_MAX_OBJECT_CACHE_DEPTH..... 105
 - 7.8.6 ACPI_MAX_WALK_CACHE_DEPTH..... 105
- 8 ACPICA Subsystem - External Interface Definition ----- 106**
 - 8.1 ACPICA Subsystem Initialization and Control 106
 - 8.1.1 AcpiInitializeSubsystem 106
 - 8.1.2 AcpiInstallInitializationHandler 107
 - 8.1.2.1 Interface to User Callback Function 107
 - 8.1.3 AcpiEnableSubsystem 108
 - 8.1.4 AcpiInitializeObjects 109
 - 8.1.5 AcpiSubsystemStatus 110
 - 8.1.6 AcpiTerminate 110
 - 8.1.7 AcpiInstallInterface..... 111
 - 8.1.7.1 Default Supported _OSI Strings 112
 - 8.1.7.2 Why ACPICA responds TRUE to _OSI (Windows)..... 112
 - 8.1.7.3 ACPICA Policy for New _OSI Strings 113
 - 8.1.8 AcpiUpdateInterfaces..... 114
 - 8.1.9 AcpiRemoveInterface..... 115
 - 8.1.10 AcpiInstallInterfaceHandler 115
 - 8.1.10.1 Interface to _OSI Interface Handlers..... 116
 - 8.2 ACPI Table Management..... 117
 - 8.2.1 AcpiInitializeTables 117
 - 8.2.2 AcpiReallocateRootTable 118
 - 8.2.3 AcpiFindRootPointer 118
 - 8.2.4 AcpiInstallTable..... 119
 - 8.2.5 AcpiLoadTables 120
 - 8.2.6 AcpiLoadTable 121



	8.2.7	AcpiUnloadParentTable	122
	8.2.8	AcpiGetTableHeader	123
	8.2.9	AcpiGetTable	124
	8.2.10	AcpiGetTableByIndex	125
	8.2.11	AcpiInstallTableHandler	126
		8.2.11.1 Interface to the Table Event Handler	126
	8.2.12	AcpiRemoveTableHandler	127
8.3		ACPI Namespace Management	128
	8.3.1	AcpiEvaluateObject.....	128
	8.3.2	AcpiEvaluateObjectTyped.....	132
	8.3.3	AcpiGetObjectInfo.....	133
	8.3.4	AcpiGetNextObject	136
	8.3.5	AcpiGetParent.....	138
	8.3.6	AcpiGetType	138
	8.3.7	AcpiGetHandle	139
	8.3.8	AcpiGetName.....	141
	8.3.9	AcpiGetDevices	142
	8.3.10	AcpiAttachData	143
	8.3.11	AcpiDetachData	144
	8.3.12	AcpiGetData.....	145
	8.3.13	AcpiInstallMethod.....	146
	8.3.14	AcpiWalkNamespace.....	148
		8.3.14.1 Interface to User Callback Function	149
	8.3.15	AcpiAcquireMutex	150
	8.3.16	AcpiReleaseMutex	151
8.4		ACPI Hardware Management.....	152
	8.4.1	AcpiEnable	152
	8.4.2	AcpiDisable	153
	8.4.3	AcpiReset.....	153
	8.4.4	AcpiReadBitRegister.....	154
	8.4.5	AcpiWriteBitRegister	155
	8.4.6	AcpiRead.....	156
	8.4.7	AcpiWrite.....	157
	8.4.8	AcpiAcquireGlobalLock.....	158
	8.4.9	AcpiReleaseGlobalLock.....	158
	8.4.10	AcpiGetTimerResolution	159
	8.4.11	AcpiGetTimerDuration	160
	8.4.12	AcpiGetTimer	160
8.5		ACPI Sleep/Wake Support.....	161
	8.5.1	AcpiSetFirmwareWakingVector	161
	8.5.2	AcpiGetSleepTypeData	162
	8.5.3	AcpiEnterSleepStatePrep	163
	8.5.4	AcpiEnterSleepState.....	163
	8.5.5	AcpiEnterSleepStateS4Bios	164
	8.5.6	AcpiLeaveSleepStatePrep	165
	8.5.7	AcpiLeaveSleepState.....	166
8.6		ACPI Fixed Event Management.....	167
	8.6.1	AcpiEnableEvent.....	167
	8.6.2	AcpiDisableEvent.....	168
	8.6.3	AcpiClearEvent	168
	8.6.4	AcpiGetEventStatus.....	169
	8.6.5	AcpiInstallFixedEventHandler	170
		8.6.5.1 Interface to Fixed Event Handlers.....	171
	8.6.6	AcpiRemoveFixedEventHandler	171
8.7		ACPI General Purpose Event (GPE) Management.....	172
	8.7.1	AcpiUpdateAllGpes.....	172



- 8.7.2 AcpiEnableGpe 173
- 8.7.3 AcpiDisableGpe 174
- 8.7.4 AcpiClearGpe..... 175
- 8.7.5 AcpiSetGpe..... 176
- 8.7.6 AcpiFinishGpe..... 177
- 8.7.7 AcpiSetupGpeForWake 178
- 8.7.8 AcpiMarkGpeForWake..... 179
- 8.7.9 AcpiSetGpeWakeMask 180
- 8.7.10 AcpiGetGpeStatus 181
- 8.7.11 AcpiGetGpeDevice 182
- 8.7.12 AcpiDisableAllGpes 183
- 8.7.13 AcpiEnableAllRuntimeGpes..... 184
- 8.7.14 AcpiInstallGpeBlock..... 184
- 8.7.15 AcpiRemoveGpeBlock..... 185
- 8.7.16 AcpiInstallGpeHandler 186
 - 8.7.16.1 Interface to General Purpose Event Handlers 187
- 8.7.17 AcpiInstallGpeRawHandler..... 188
- 8.7.18 AcpiRemoveGpeHandler 189
- 8.8 Miscellaneous Handler Support 190
 - 8.8.1 AcpiInstallSciHandler 190
 - 8.8.1.1 Interface to SCI Handlers 190
 - 8.8.2 AcpiRemoveSciHandler 191
 - 8.8.3 AcpiInstallGlobalEventHandler 192
 - 8.8.3.1 Interface to the Global Event Handler 192
 - 8.8.4 AcpiInstallNotifyHandler..... 193
 - 8.8.4.1 Interface to Notification Event Handlers..... 195
 - 8.8.5 AcpiRemoveNotifyHandler..... 195
 - 8.8.6 AcpiInstallAddressSpaceHandler 197
 - 8.8.6.1 Interface to Address Space Setup Handlers..... 198
 - 8.8.6.2 Interface to Address Space Handlers 199
 - 8.8.6.3 Context for the Default PCI Address Space Handler 201
 - 8.8.6.4 Context for the GPIO/SerialBus Address Space Handlers ... 201
 - 8.8.7 AcpiRemoveAddressSpaceHandler 202
 - 8.8.8 AcpiInstallExceptionHandler 203
 - 8.8.8.1 Interface to Exception Handlers 204
- 8.9 ACPI Resource Management 205
 - 8.9.1 AcpiGetCurrentResources 205
 - 8.9.2 AcpiGetPossibleResources 206
 - 8.9.3 AcpiSetCurrentResources 207
 - 8.9.4 AcpiGetEventResources 208
 - 8.9.5 AcpiGetIRQRoutingTable 209
 - 8.9.6 AcpiGetVendorResource 210
 - 8.9.7 AcpiBufferToResource..... 211
 - 8.9.8 AcpiResourceToAddress64 212
 - 8.9.9 AcpiWalkResourceBuffer..... 212
 - 8.9.9.1 Interface to User Callback Function 213
 - 8.9.10 AcpiWalkResources..... 214
- 8.10 Memory Management 215
 - 8.10.1 ACPI_ALLOCATE..... 215
 - 8.10.2 ACPI_ALLOCATE_ZEROED..... 216
 - 8.10.3 ACPI_FREE 216
- 8.11 Formatted Output 217
 - 8.11.1 AcpiInfo and ACPI_INFO 217
 - 8.11.2 AcpiWarning and ACPI_WARNING..... 218
 - 8.11.3 AcpiError and ACPI_ERROR..... 219
 - 8.11.4 AcpiException and ACPI_EXCEPTION..... 220



8.11.5	AcpiBiosWarning and ACPI_BIOS_WARNING	221
8.11.6	AcpiBiosError and ACPI_BIOS_ERROR	222
8.11.7	AcpiDebugPrint and ACPI_DEBUG_PRINT	223
8.11.8	AcpiDebugPrintRaw and ACPI_DEBUG_PRINT_RAW	225
8.12	Miscellaneous Utilities	225
8.12.1	AcpiCheckAddressRange	225
8.12.2	AcpiDebugTrace	226
8.12.3	AcpiDecodePldBuffer	227
8.12.4	AcpiFormatException	228
8.12.5	AcpiGetStatistics	228
8.12.6	AcpiGetSystemInfo	229
8.12.7	AcpiPurgeCachedObjects	231
8.13	Global Variables	231
8.13.1	AcpiDbgLevel & AcpiDbgLayer	231
8.13.2	AcpiGbl_FADT	231
8.13.3	AcpiCurrentGpeCount	231
8.13.4	AcpiGbl_SystemAwakeAndRunning	232
9	OS Services Layer - External Interface Definition -----	233
9.1	Environmental and ACPI Tables	233
9.1.1	AcpiOsInitialize	233
9.1.2	AcpiOsTerminate	234
9.1.3	AcpiOsGetRootPointer	234
9.1.4	AcpiOsPredefinedOverride	235
9.1.5	AcpiOsTableOverride	235
9.1.6	AcpiOsPhysicalTableOverride	237
9.2	Memory Management	238
9.2.1	AcpiOsCreateCache	238
9.2.2	AcpiOsDeleteCache	239
9.2.3	AcpiOsPurgeCache	239
9.2.4	AcpiOsAcquireObject	240
9.2.5	AcpiOsReleaseObject	240
9.2.6	AcpiOsMapMemory	241
9.2.7	AcpiOsUnmapMemory	242
9.2.8	AcpiOsGetPhysicalAddress	242
9.2.9	AcpiOsAllocate	243
9.2.10	AcpiOsFree	243
9.2.11	AcpiOsReadable	244
9.2.12	AcpiOsWritable	244
9.3	Multithreading and Scheduling Services	245
9.3.1	AcpiOsGetThreadId	245
9.3.2	AcpiOsExecute	245
9.3.3	AcpiOsSleep	246
9.3.4	AcpiOsStall	247
9.3.5	AcpiOsWaitEventsComplete	247
9.4	Mutual Exclusion and Synchronization	248
9.4.1	AcpiOsCreateMutex	248
9.4.2	AcpiOsDeleteMutex	248
9.4.3	AcpiOsAcquireMutex	249
9.4.4	AcpiOsReleaseMutex	250
9.4.5	AcpiOsCreateSemaphore	250
9.4.6	AcpiOsDeleteSemaphore	251
9.4.7	AcpiOsWaitSemaphore	251
9.4.8	AcpiOsSignalSemaphore	252
9.4.9	AcpiOsCreateLock	253



9.4.10	AcpiOsDeleteLock	254
9.4.11	AcpiOsAcquireLock.....	254
9.4.12	AcpiOsReleaseLock.....	255
9.5	Interrupt Handling.....	255
9.5.1	AcpiOsInstallInterruptHandler	255
9.5.1.1	Interface to OS-independent Interrupt Handlers	256
9.5.2	AcpiOsRemoveInterruptHandler	257
9.6	Memory Access and Memory Mapped I/O	257
9.6.1	AcpiOsReadMemory.....	258
9.6.2	AcpiOsWriteMemory	258
9.7	Port Input/Output.....	259
9.7.1	AcpiOsReadPort	259
9.7.2	AcpiOsWritePort	260
9.8	PCI Configuration Space Access.....	260
9.8.1	AcpiOsReadPciConfiguration	261
9.8.2	AcpiOsWritePciConfiguration.....	261
9.9	Formatted Output	262
9.9.1	AcpiOsPrintf	262
9.9.2	AcpiOsVprintf	263
9.9.3	AcpiOsRedirectOutput	263
9.10	System ACPI Table Access	264
9.10.1	AcpiOsGetTableByAddress	264
9.10.2	AcpiOsGetTableByIndex.....	265
9.10.3	AcpiOsGetTableByName.....	267
9.11	Miscellaneous	268
9.11.1	AcpiOsGetTimer	268
9.11.2	AcpiOsSignal.....	269
9.11.3	AcpiOsGetLine	270
10	ACPICA Deployment Guide	271
10.1	Using the ACPICA Subsystem Interfaces.....	271
10.1.1	Initialization Sequence	271
10.1.2	ACPICA Initialization Examples	271
10.1.2.1	Full ACPICA Initialization	271
10.1.2.2	ACPICA Initialization With Early ACPI Table Access	272
10.1.3	Shutdown Sequence.....	273
10.1.4	Traversing the ACPI Namespace (Low Level).....	274
10.1.5	Traversing the ACPI Namespace (High Level).....	276
10.2	Implementing the OS Services Layer	277
10.2.1	Parameter Validation	277
10.2.2	Memory Management	277
10.2.3	Scheduling Services	277
10.2.4	Mutual Exclusion and Synchronization	277
10.2.5	Interrupt Handling	277
10.2.6	Stream I/O.....	278
10.2.7	Hardware Abstraction (I/O, Memory, PCI Configuration)	278
11	User-Mode Tools and Utilities	279
11.1	Generating the ACPICA Tools/Utilities from Source.....	279
11.1.1	Generic Unix Makefiles	279
11.1.2	Visual Studio Project Files	280
11.1.2.1	Visual Studio 2008 Installation Notes.....	280
11.1.2.2	Flex/Bison for Windows Installation Notes	281



11.2	iASL Compiler	282
11.3	AcpiExec – User Mode ACPI Execution/Simulation	284
11.3.1	Options	284
11.4	AcpiHelp – Display ACPI Help Information	285
11.5	AcpiDump – Dump System ACPI Tables	286
11.6	AcpiXtract – Extract ACPI Tables	286
11.7	AcpiSrc – Convert ACPICA Source Code	287
11.8	AcpiNames – Example Namespace Dump	288
12	ACPICA Debugger Reference -----	289
12.1	Overview	289
12.2	Supported Environments	289
12.2.1	The AcpiExec Utility	289
12.3	Debugger Architecture	289
12.4	Configuration and Installation	290
12.5	Command Overview	292
12.6	Command Summary	292
12.7	General Purpose Commands	294
12.7.1	Allocations	294
12.7.2	Dump	294
12.7.3	Exit	294
12.7.4	Handlers	294
12.7.5	Help	295
12.7.6	History (! And !!)	295
12.7.7	Level	296
12.7.8	Locks	296
12.7.9	Osi	296
12.7.10	Quit	297
12.7.11	Stats	297
12.7.12	Tables	297
12.7.13	Unload	298
12.8	Namespace Access Commands	298
12.8.1	BusInfo	298
12.8.2	Disassemble	298
12.8.3	Find	298
12.8.4	Integrity	299
12.8.5	Methods	299
12.8.6	Namespace	299
12.8.7	Notify	299
12.8.8	Objects	300
12.8.9	Owner	300
12.8.10	Paths	301
12.8.11	Predefined	301
12.8.12	Prefix	301
12.8.13	References	301
12.8.14	Resources	302
12.8.15	Set N	302
12.8.16	Template	302
12.8.17	Terminate	302
12.8.18	Type	303
12.9	Control Method Execution Commands	303
12.9.1	Arguments	303
12.9.2	Breakpoint	303
12.9.3	Call	303



- 12.9.4 Debug..... 304
- 12.9.5 Execute 304
 - 12.9.5.1 Specifying Method Arguments 304
- 12.9.6 Go 305
- 12.9.7 Information 305
- 12.9.8 Into 305
- 12.9.9 List..... 306
- 12.9.10 Locals 306
- 12.9.11 Results 306
- 12.9.12 Set..... 306
- 12.9.13 Stop..... 307
- 12.9.14 Thread..... 307
- 12.9.15 Trace 307
- 12.9.16 Tree..... 308
- 12.10 Hardware-Related Commands 308
 - 12.10.1 Event 308
 - 12.10.2 Gpe 308
 - 12.10.3 Gpes..... 308
 - 12.10.4 Sci 309
 - 12.10.5 Sleep 309
- 12.11 File I/O Commands 309
 - 12.11.1 Close 309
 - 12.11.2 Load 310
 - 12.11.3 Open 310
- 12.12 Debug Test Commands 310
 - 12.12.1 Test Objects 310
 - 12.12.2 Test Predefined..... 310



Figures

Figure 1. The ACPI Component Architecture	19
Figure 2. ACPICA Subsystem Architecture	21
Figure 3. Interaction between the Architectural Components.....	23
Figure 4. Internal Modules of the ACPICA Subsystem.....	24
Figure 5. Operating System to ACPICA Subsystem Request Flow	26
Figure 6. ACPICA Subsystem to Operating System Request Flow	28
Figure 7. Internal Namespace Structure	31
Figure 8. Global Lock Architecture.....	53
Figure 9. Maximum GPEs Using Block 0 Only	56
Figure 10. Maximum GPEs Using Block 0 and 1	56
Figure 11. Structure of the ACPI_OBJECT	82
Figure 12. ACPICA Debugger Architecture	290

Tables

Table 1. C Library Functions Used within the Subsystem	73
Table 2. ACPI Object Type Codes.....	80
Table 3. Exception Code Values.....	87



1 Introduction

1.1 Document Structure

This document consists of these major sections:

Introduction: Contains a brief overview of the ACPI Component Architecture (CA) and the interfaces for both the ACPICA Subsystem and OS Services Layers.

Architecture Overview: Overview of the main architectural components and interface to the host operating system. Summary of the computational and architectural model that is implemented by the ACPI component architecture.

Design Details: Details concerning design decisions and execution model.

Implementation Details: Details concerning implementation specifics.

ACPICA Subsystem Features: Details concerning features that are specific to ACPICA (independent of ACPI itself.)

Data Types and Interface Parameters: Descriptions of the major data types and data structures that are exposed via the external interfaces. Other related information required to use the ACPICA subsystems and interfaces.

Subsystem Configuration: Description of the available configuration options to tailor the subsystem to different compilers and machines, as well as run-time tuning options.

ACPICA Subsystem – External Interface Definition: Detailed description of the programmatic interfaces that are implemented by the kernel-resident, OS-independent component of the ACPI Component Architecture.

OS Services Layer – External Interface Definition: Detailed description of the programmatic interfaces that must be implemented by operating system vendors in the layer that interfaces the ACPICA Subsystem to the host operating system.

ACPICA Deployment Guide: Tips and techniques on how to use the ACPICA Subsystem interfaces, and how to implement the OSL interfaces to host a new operating system.

User-Mode Tools and Utilities: A brief overview and guide to the miscellaneous tools and utilities that are part of the ACPICA package.

ACPICA Debugger Reference: Overview, installation and configuration, and detailed descriptions of the command set.

1.2 Rationale and Justification

The complexity of the ACPI specification leads to a lengthy and difficult implementation in operating system software. The purpose of the ACPI component architecture is to simplify ACPI implementations for operating system vendors (OSVs) by providing major portions of an ACPI implementation in OS-independent ACPI modules that can be integrated into any operating system.

The ACPICA software can be hosted on any operating system by writing a small and relatively simple translation service between the ACPICA subsystem and the host operating system (This service is known as the OS Services Layer).



1.3 Reference Documents

ACPI documents are available at <http://www.acpi.info>

Advanced Configuration and Power Interface Specification, Revision 1.0, December 1, 1996
Advanced Configuration and Power Interface Specification, Revision 1.0a, July 1, 1998
Advanced Configuration and Power Interface Specification, Revision 1.0b, February 8, 1999
Advanced Configuration and Power Interface Specification, Revision 2.0, July 27, 2000
Advanced Configuration and Power Interface Specification, Revision 2.0a, March 32, 2002
Advanced Configuration and Power Interface Specification, Revision 2.0b, October 11, 2002
Advanced Configuration and Power Interface Specification, Revision 2.0c, August 23, 2003
Advanced Configuration and Power Interface Specification, Revision 3.0, September 2, 2004
Advanced Configuration and Power Interface Specification, Revision 3.0a, December 30, 2005
Advanced Configuration and Power Interface Specification, Revision 3.0b, October 10, 2006
Advanced Configuration and Power Interface Specification, Revision 4.0, June 16, 2009
Advanced Configuration and Power Interface Specification, Revision 4.0a, April 5, 2010
Advanced Configuration and Power Interface Specification, Revision 5.0, December 6, 2011
Advanced Configuration and Power Interface Specification, Revision 5.0a, November 13, 2013
Advanced Configuration and Power Interface Specification, Revision 5.1, July 2014
Advanced Configuration and Power Interface Specification, Revision 6.0, April 2015

ACPICA documents are available at <http://www.acpica.org/documentation/>
iASL: ACPI Source Language Optimizing Compiler and Disassembler User Guide

1.4 Document History

January 2000: Original version.

09 July 2005: Added example and description of OS initialization sequence.

26 November 2008: Major update and overhaul. Update all interfaces and text to match reality

18 March 2009: Removed AcpiOsValidateAddress. Added section for feature descriptions. Added description of I/O port protection.

14 May 2009: Add new AcpiInstallMethod function.

03 November 2009: Changes to AcpiWalkNamespace. Added documentation of ACPICA source code tree.

21 January 2009: Removed obsolete ACPI_INTEGER data type.

04 March 2009: Add new global for the AML debug object. Clarify use of the ACPI_OBJECT data type.

30 March 2010: Update for GPE interface changes. Added DSDT copy option.

04 April 2010: Add description of GPE support for LoadTable.



05 August 2010: Add new host_OSI interface functions, AcpiInstallInterface, AcpiRemoveInterface, AcpiInstallInterfaceHandler. Add new debugger command, “OSI”.

17 August 2010: Remove obsolete AcpiOsDerivePciId OSL function. This function has been implemented within ACPICA in an OS-independent manner.

21 September 2010: Fix/clarify the initialization sequence for installation of user/host address space handlers. This can only happen after AcpiEnableSubsystem is called.

December 2010: Support for new GPE handling features. Full description of GPE support in ACPICA as well as updated descriptions for GPE interfaces.

May 2011: Debugger: Add description of new mechanism to pass complex arguments to control methods (Integer, Strings, Buffers, and Packages.)

October 2011: Add new ACPI 5.0 interfaces – AcpiGetEventResource, AcpiAcquireMutex, AcpiReleaseMutex.

November 2011: Full update for ACPI 5.0 features – add overall description and miscellaneous updates throughout.

December 2011: Update for new interface, AcpiCheckAddressRange.

February 2012: Add note that the sleep/wake interfaces now support the V5 FADT with standalone sleep registers. Widen the AcpiOsReadMemory and AcpiOsWriteMemory interfaces to 64 bits. Add ACPI_REDUCED_HARDWARE option. Add AcpiOsPhysicalTableOverride and AcpiLeaveSleepStatePrep.

March 2012: Added flags parameter to AcpiEnterSleepState and AcpiLeaveSleepStatePrep to enable optional execution of the _GTS and _BFS methods.

April 2012: Add support for multiple Notify() handlers.

May 2012: Add AcpiOsWaitEventsComplete OSL interface.

June 2012: Add multiple device support to the Implicit Notify feature.

July 2012: Add AcpiLoadTable and AcpiUnloadParentTable external interfaces for dynamic load/unload of hotplug related SSDTs. Add AcpiBiosWarning and AcpiBiosError interfaces for reporting issues specific to the platform BIOS/firmware.

August 2012: Add AcpiDecodePldBuffer interface. Remove all support of the deprecated _GTS (Going To Sleep) and _BFS (Back From Sleep) methods.

October 2012: Add support for _SUB to AcpiGetObjectInfo interface. Rename ACPI_DEVICE_ID to ACPI_PNP_DEVICE_ID.

March 2013: Add section to describe the rules that ACPICA uses for the use of internal mutex objects.

May 2013: Add AcpiDump utility and related interfaces used to obtain system ACPI tables. Add sections describing the sharing of resources between device drivers and AML code.

June 2013: Add support for multiple instances of the UEFI table.

July 2013: Add AcpiUpdateInterfaces interface.



August 2013: Add AcpiInstallSciHandler, AcpiRemoveSciHandler interfaces. Add Debugger Path and SCI commands.

September 2013: Add description of the ACPICA GPIO event model.

November 2013: Add section describing generation of ACPICA tools from source code.

December 2013: Add new runtime options: AcpiGbl_DoNotUseXsdt and AcpiGbl_Use32BitFadtAddresses.

April 2014: Add section describing issues surrounding the maximum number of GPEs supported.

July 2014: Add AcpiMarkGpeForWake interface.

September 2014: New flag for event/GPE status interfaces. Changes to GPIO operation region handler interface to support multiple pins.

May 2015: Add new options for AcpiHelp

June 2015: Update AcpiSetFirmwareVector. Remove AcpiSetFirmwareVector64.

July 2015: Add debugger Trace command.

1.5 Overview of the ACPI Component Architecture

The ACPI Component Architecture (also referred to by the term “ACPICA” in this document) defines and implements a group of software components that together create an implementation of the ACPI specification. A major goal of the architecture is to isolate all operating system dependencies to a relatively small translation or conversion layer (the OS Services Layer) so that the bulk of the ACPICA code is independent of any individual operating system. Therefore, hosting the ACPICA code on new operating systems requires no source changes within the ACPICA code itself. The components of the architecture include:

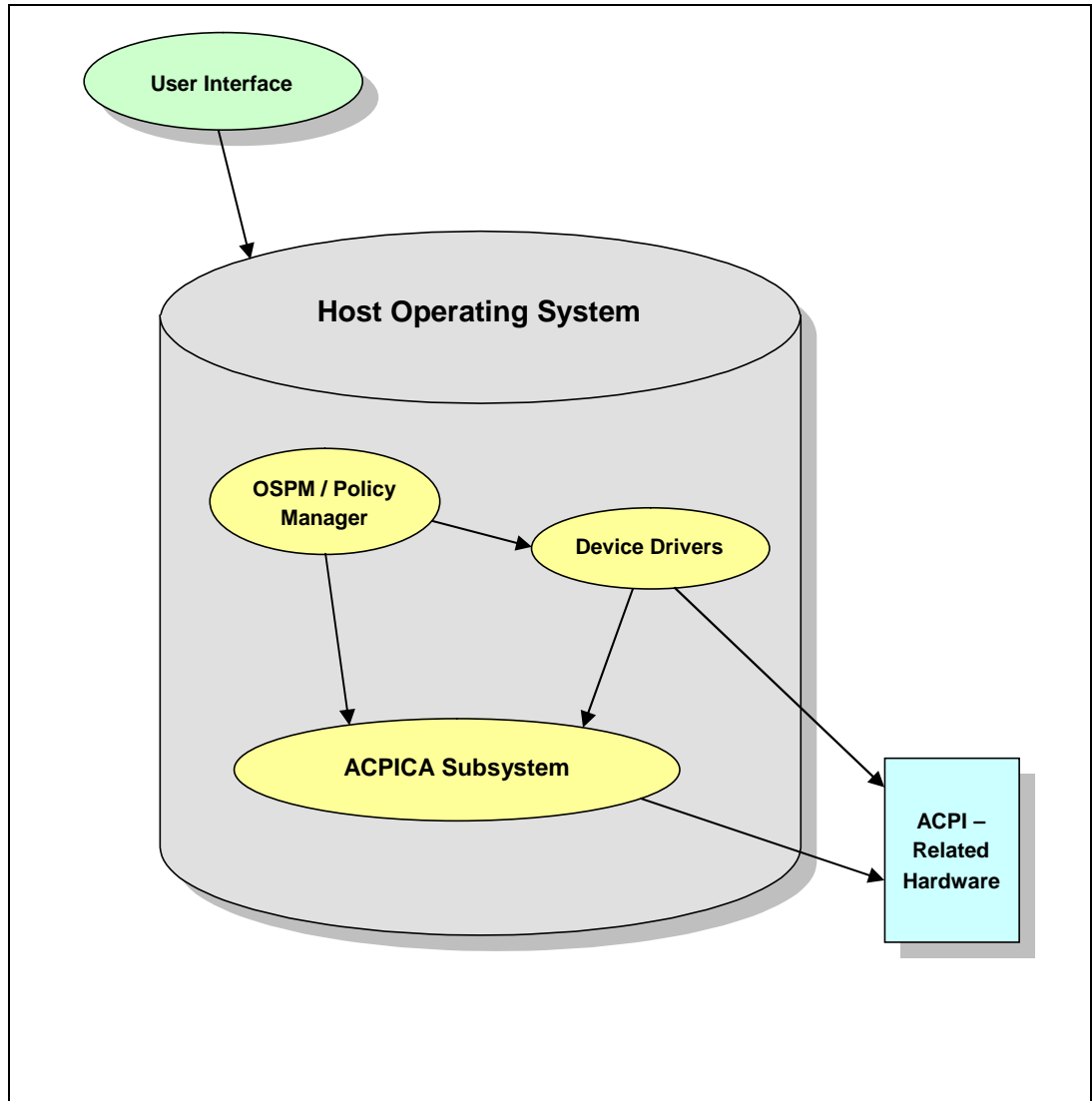
- An OS-independent, kernel-resident ACPICA Subsystem component that provides the fundamental ACPI services such as the AML interpreter and namespace management.
- An OS-dependent OS Services Layer for each host operating system to provide OS support for the OS-independent ACPICA Subsystem.
- An ASL compiler-disassembler for translating ASL code to AML byte code and for disassembling existing binary ACPI tables back to ASL source code.
- Several ACPI utilities for executing the interpreter in ring 3 user space, extracting binary ACPI tables from the output of the AcpiDump utility, and translating the ACPICA source code to Linux/Unix format.

This document describes the ACPICA Subsystem, OS Services Layer, AML Debugger, and related user-space utilities. The iASL compiler is documented in the *iASL: ACPI Source Language Optimizing Compiler and Disassembler User Guide*.

In the diagram below, the ACPICA subsystem is shown in relation to the host operating system, device driver, OSPM software, and the ACPI hardware.



Figure 1. The ACPI Component Architecture





2 Architecture Overview

2.1 Overview of the ACPICA Subsystem

The ACPICA Subsystem implements the low level or fundamental aspects of the ACPI specification. Included are an AML parser/interpreter, ACPI namespace management, ACPI table and device support, and event handling. Since the ACPICA subsystem provides low-level system services, it also requires low-level operating system services such as memory management, synchronization, scheduling, and I/O.

To allow the ACPICA Subsystem to easily interface to any operating system that provides such services, an *Operating System Services Layer* translates ACPICA-to-OS requests into the system calls provided by the host operating system. The OS Services Layer is the only component of the ACPICA that contains code that is specific to a host operating system.

Thus, the ACPICA Subsystem consists of two major software components:

1. The basic kernel-resident ACPICA Subsystem provides the fundamental ACPI services that are independent of any particular operating system.
1. The OS Services Layer (OSL) provides the conversion layer that interfaces the OS-independent ACPICA Subsystem to a particular host operating system.

When combined into a single static or loadable software module such as a device driver or kernel subsystem, these two major components form the *ACPICA Subsystem*. Throughout this document, the term “ACPICA Subsystem” refers to the combination of the OS-independent ACPICA Subsystem with an OS Services Layer components combined into a single module, driver, or load unit.

2.1.1 OS-independent ACPICA Subsystem

The OS-independent ACPICA Subsystem supplies the major building blocks or subcomponents that are required for all ACPI implementations — including an AML interpreter, a namespace manager, ACPI event and resource management, and ACPI hardware support.

One of the goals of the ACPICA Subsystem is to provide an abstraction level high enough such that the host operating system does not need to understand or know about the very low-level ACPI details. For example, all AML code is hidden from the host. Also, the details of the ACPI hardware are abstracted to higher-level software interfaces.

The ACPICA Subsystem implementation makes no assumptions about the host operating system or environment. The only way it can request operating system services is via interfaces provided by the *OS Services Layer*.

The primary user of the services provided by the ACPICA Subsystem are the host OS device drivers and power/thermal management software.



2.1.2 Operating System Services Layer

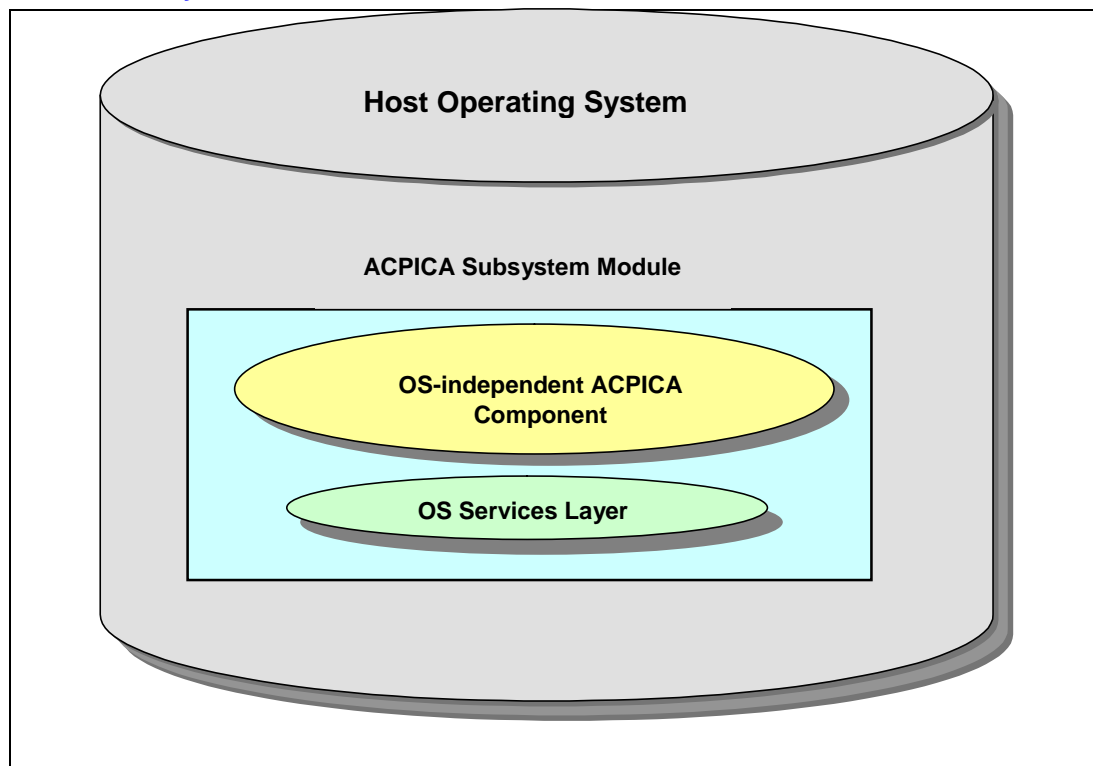
The OS Services Layer (or *OSL*) operates as a translation service for requests from the OS-independent ACPICA subsystem back to the host OS. The OSL implements a generic set of OS service interfaces by using the primitives available from the host OS.

Because of its nature, the OS Services Layer must be implemented anew for each supported host operating system. There is a single OS-independent ACPICA Subsystem, but there must be an OS Services Layer for each operating system supported by the ACPI component architecture.

The primary function of the OSL in the ACPI Component Architecture is to be the small glue layer that binds the much larger ACPICA Subsystem to the host operating system. Because of the nature of ACPI itself — such as the requirement for an AML interpreter and management of a large namespace data structure — most of the implementation of the ACPI specification is independent of any operating system services. Therefore, the OS-independent ACPICA Subsystem is the larger of the two components.

The overall ACPI Component Architecture in relation to the host operating system is diagrammed below.

Figure 2. ACPICA Subsystem Architecture





2.1.3 Relationships Between Host OS, ACPICA, and Host OSL

2.1.3.1 General Architectural Model

The model employed can be described in two parts, the ACPICA-to-host interaction, and the host-to-ACPICA interaction.

- 1) The host OSL implements all OS services required by ACPICA. All ACPICA-to-host interactions pass through the OSL via direct calls to the **AcpiOs*** interfaces from ACPICA.
- 2) There are two types of host-to-ACPICA interactions, synchronous and asynchronous:

Synchronous: These are host-initiated interactions that are performed by the host making direct calls to the various public **Acpi*** interfaces.

Asynchronous: These are host-requested interactions that happen in response to various asynchronous events such as ACPI general purpose and fixed events. For these interactions, the host calls ACPICA to install an appropriate handler at initialization time. This handler is then invoked by ACPICA whenever the requested event occurs. Typically, the handlers are optional, and these are *optional* interactions.

2.1.3.2 Host Operating System Interaction

The Host Operating System makes direct calls to the **Acpi*** interfaces within the ACPICA Subsystem to request ACPI services.

Whenever the ACPICA Subsystem requires operating system services, it makes calls to the OS Services Layer. The OSL component “calls up” to the host operating system whenever operating system services are required, either for the OSL itself, or on behalf of the ACPICA Subsystem component. All native (OS-dependent) calls made directly to the host are confined to the OS Services Layer. The basic OS-independent ACPICA code contains no operating system-specific code.

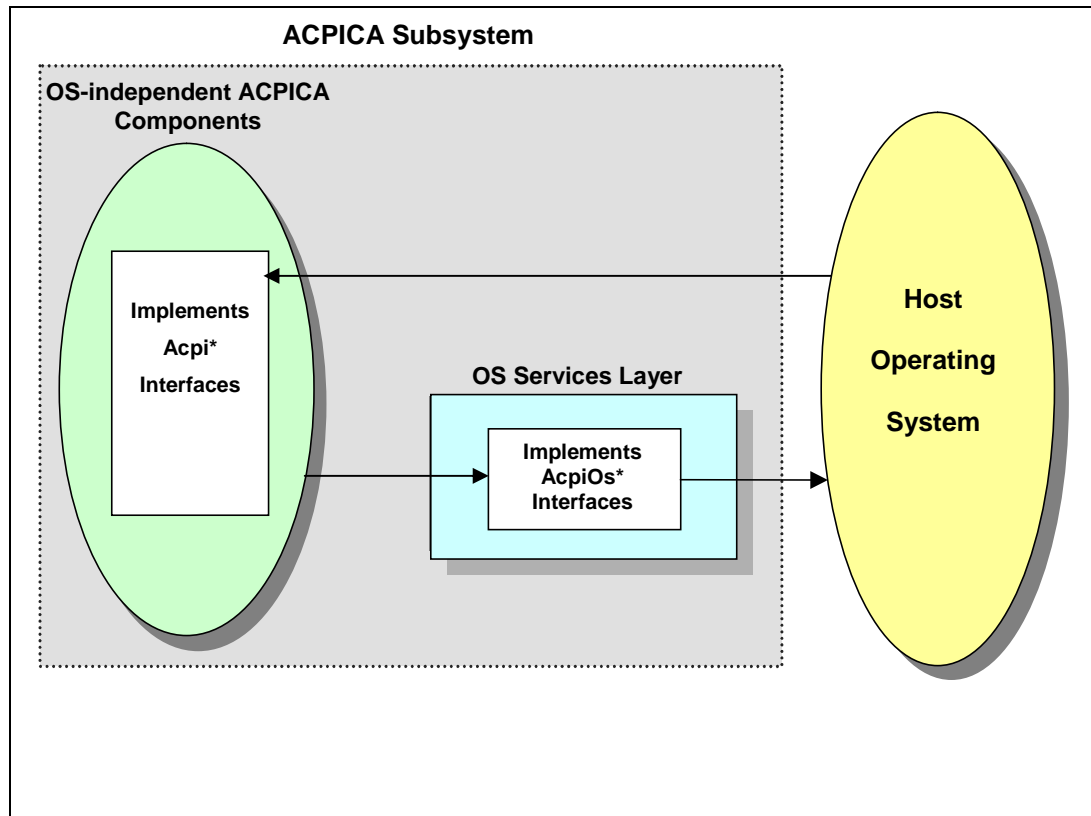
2.1.3.3 OS Services Layer Interaction

The OS Services Layer provides operating system dependent implementations of the predefined **AcpiOs*** interfaces. These interfaces provide common operating system services to the ACPICA Subsystem such as memory allocation, mutual exclusion, hardware access, and I/O. The ACPICA Subsystem component uses these interfaces to gain access to OS services in an OS-independent manner. Therefore, the OSL component makes calls to the host operating system to implement the **AcpiOs *** interfaces.

2.1.3.4 ACPICA Subsystem Interaction

The *ACPICA Subsystem* implements a set of external interfaces that can be directly called from the host OS. These **Acpi*** interfaces provide the actual ACPI services for the host. When operating system services are required during the servicing of an ACPI request, the Subsystem makes requests to the host OS indirectly via the fixed **AcpiOs*** interfaces.

The diagram below illustrates the relationships and interaction between the various architectural elements by showing the flow of control between them. Note that the OS-independent ACPICA Subsystem never calls the host directly – instead it makes calls to the **AcpiOs *** interfaces in the OSL. This provides the ACPICA code with OS-independence.

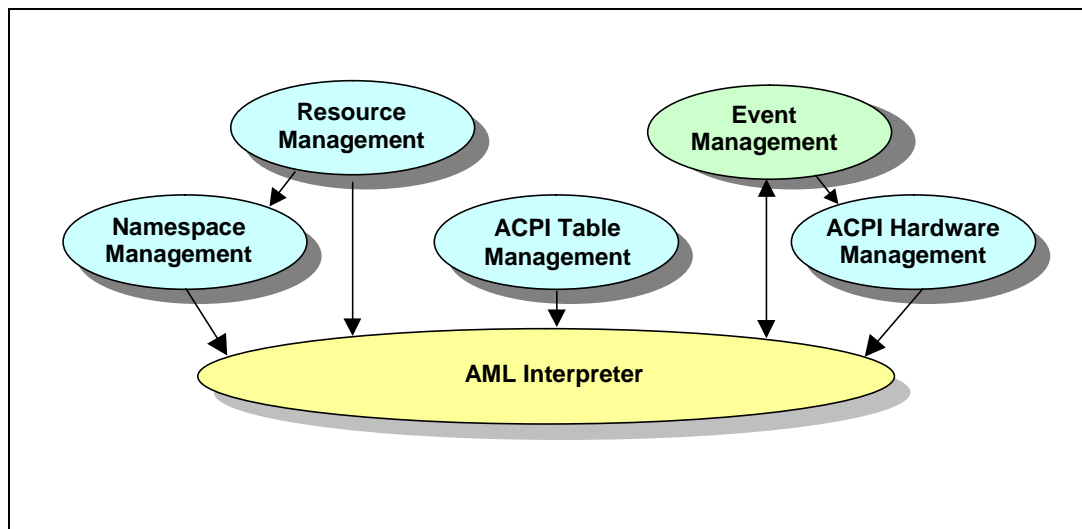
Figure 3. Interaction between the Architectural Components

2.2 Architecture of the ACPICA Subsystem

The ACPICA Subsystem is divided into several logical modules or sub-components. Each module implements a service or group of related services. This section describes each sub-component and identifies the classes of external interfaces to the components, the mapping of these classes to the individual components, and the interface names.

These ACPICA modules are the OS-independent parts of an ACPI implementation that can share common code across all operating systems. These modules are delivered in source code form (the language used is ANSI C), and can be compiled and integrated into an OS-specific ACPI driver or subsystem (or whatever packaging is appropriate for the host OS.)

The diagram below shows the various internal modules of the ACPICA Subsystem and their relationship to each other. The AML interpreter forms the foundation of the component, with additional services built upon this foundation.

**Figure 4. Internal Modules of the ACPICA Subsystem**

2.2.1 ACPI Table Management

This component manages all ACPI tables such as the RSDT/XSDT, FADT, FACS, DSDT, SSDT, etc. The tables may be loaded from the firmware or directly from a buffer provided by the host operating system. Services include:

- ACPI Table Verification
- ACPI Table installation and removal
- Access to all available ACPI tables

2.2.2 Early ACPI Table Access

In many cases, certain ACPI tables are required by the host OS very early during system/kernel initialization. For example, the ECDT (Embedded Controller Boot Resources Table) and MADT (Multiple APIC Description Table) may be required before hardware elements can be initialized properly. This initialization and thus these ACPI tables may be required before the kernel dynamic memory (and virtual memory) is available.

To support this need, the ACPICA Table Manager component is designed as a standalone service that can be initialized and used independently from the rest of the ACPICA subsystem. It can be executed with no need for any dynamic memory, and only the need for a single memory mapping at any given time.

2.2.3 AML Interpreter

The AML interpreter is responsible for the parsing and execution of the AML byte code that is provided by the computer system vendor. Most of the other services are built upon the AML interpreter. Therefore, there are no direct external interfaces to the interpreter. The services that the interpreter provides to the other services include:



- ACPI Table Parsing
- AML Control Method Execution
- Evaluation of Namespace Objects

2.2.4 Namespace Management

The Namespace component provides ACPI namespace services on top of the AML interpreter. It builds and manages the internal ACPI namespace. Services include:

- Namespace Initialization from ACPI tables
- Device Enumeration
- Namespace Access
- Access to ACPI data and tables

2.2.5 Resource Management

The Resource component provides resource query and configuration services on top of the Namespace manager and AML interpreter. Services include:

- Getting and Setting Current Resources
- Getting Possible Resources
- Getting IRQ Routing Tables
- Getting Power Dependencies

2.2.6 ACPI Hardware Management

The hardware manager controls access to the ACPI registers, timers, and other ACPI-related hardware. Services include:

- ACPI Status register and Enable register access
- ACPI Register access (generic read and write)
- Power Management Timer access
- ACPI mode enable/disable
- Global Lock support
- Sleep Transitions support (S-states)

2.2.7 Event Handling

The Event Handling component manages the ACPI System Control Interrupt (SCI). The single SCI multiplexes the ACPI timer, Fixed Events, and General Purpose Events (GPEs). This component also manages dispatch of notification and Address Space/Operation Region events. Services include:



ACPI event enable/disable (Fixed Events, GPEs)

Fixed Event Handlers (Installation, removal, and dispatch)

General Purpose Event (GPE) Handlers (Installation, removal, and dispatch)

Notify Handlers (Installation, removal, and dispatch)

Address Space and Operation Region Handlers (Installation, removal, and dispatch)

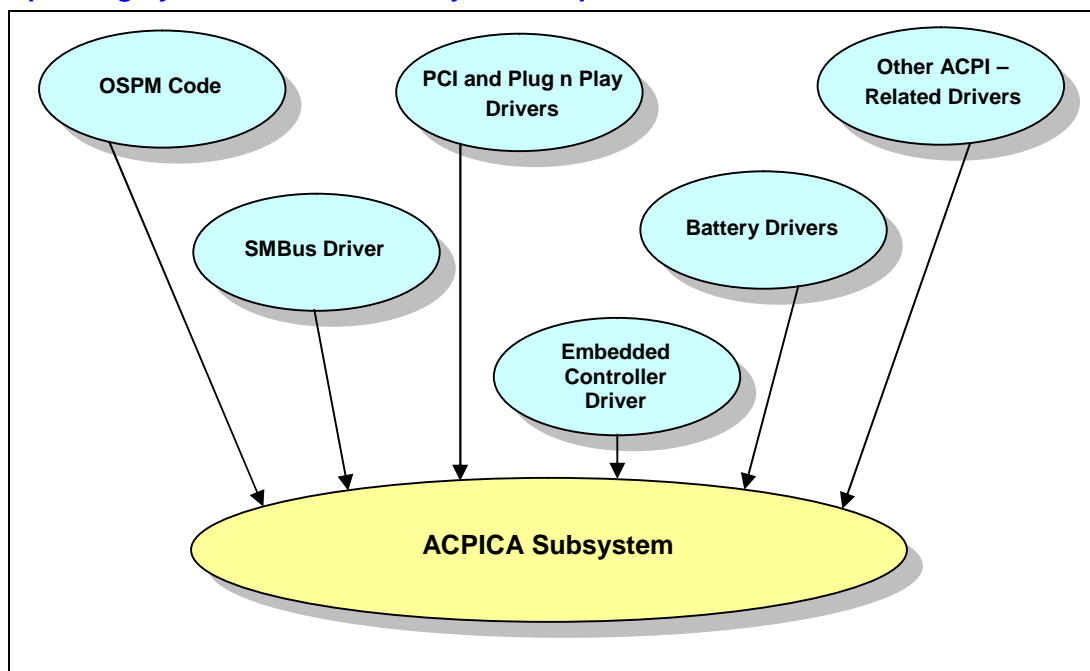
2.2.8 Requests from Host OS to ACPIA Subsystem

The host operating system can make direct calls to the Acpi* external interfaces to request ACPI services.

The exact ACPI services required (and the requests made to those services) will vary from OS to OS. However, it can be expected that most OS requests will fit into the broad categories of the functional service groups described earlier: boot time functions, device load time functions, and runtime functions.

The flow of OS to ACPIA requests is shown in the diagram below.

Figure 5. Operating System to ACPIA Subsystem Request Flow



2.3 Architecture of the OS Services Layer (OSL)

The OS Services Layer component of the architecture enables the rehosting or retargeting of the ACPIA components to execute under different operating systems, or to even execute in environments where there is no host operating system. In other words, the OSL component provides the glue that joins ACPIA to a particular operating system and/or environment. The OSL implements interfaces and services using the system calls and utilities that are available from the host OS. Therefore, an OS Services Layer must be written for each target operating system.



The OSL component implements a standard set of interfaces that perform OS dependent functions (such as memory allocation and hardware access) on behalf of the OS-independent ACPICA Subsystem component. These interfaces are themselves *OS-independent* because they are constant across all OSL implementations. It is the *implementations* of these interfaces that are OS-dependent, because they must use the native services and interfaces of the host operating system.

These standard interfaces (defined in this document as the **AcpiOs*** interfaces) include functions such as memory management and thread scheduling, and must be implemented using the available services of the host operating system.

2.3.1 Types of OSL Services

The services provided for the OS-independent ACPICA Subsystem by the OS Services Layer can be categorized into the following groups:

- **Environmental** – global initialization and environment setup.
- **Memory Management** – dynamic memory allocation and memory mapping.
- **Multitasking Support** – scheduling and asynchronous execution.
- **Mutual Exclusion and Synchronization** – Mutexes, Semaphores, and Spin Locks.
- **Interrupt handling** – interrupt handlers.
- **Address Spaces** – memory, I/O port, and PCI configuration space access.
- **Stream I/O** – support for console I/O with printf-like functions. This provides error, warning, debug, and trace output from the subsystem.

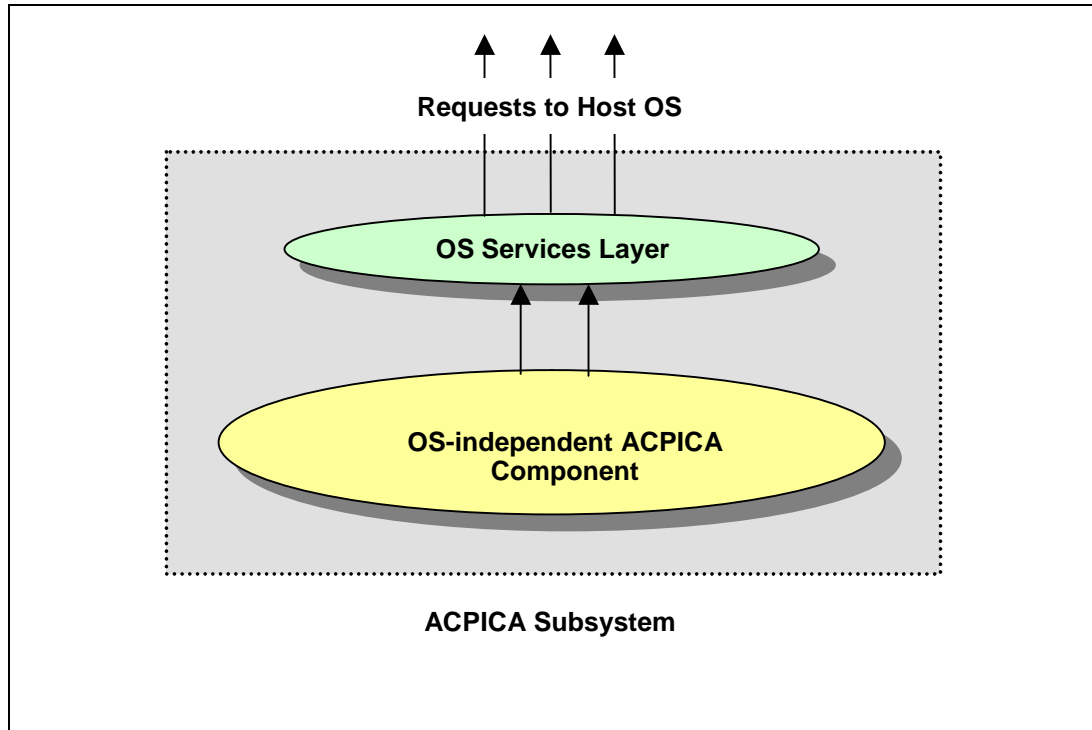
2.3.2 Requests from ACPICA Subsystem to OS

ACPI to OS requests are requests for OS services made by the ACPICA subsystem. These requests must be serviced (and therefore implemented) in a manner that is appropriate to the host operating system. These requests include calls for OS dependent functions such as I/O, resource allocation, error logging, and user interaction. The ACPI Component Architecture defines interfaces to the OS Services Layer for this purpose. These interfaces are constant (i.e. they are *OS-independent*), but they must be implemented uniquely for each target OS.

The flow of ACPI to OS requests is shown in the diagram below.



Figure 6. ACPICA Subsystem to Operating System Request Flow





3 Design Details

This section contains information about concepts, data types, and data structures that are common to both the OS-independent and OSL components of the ACPICA Subsystem.

3.1 ACPI Namespace Fundamentals

The *ACPI Namespace* is a large data structure that is constructed and maintained by the ACPICA Subsystem component. Constructed primarily from the AML defined within an ACPI Differentiated System Description Table (DSDT), the namespace contains a hierarchy of named ACPI objects.

3.1.1 Named Objects

Each object in the namespace has a fixed 4-character name (32 bits) associated with it. The *root object* is referenced by the backslash as the first character in a pathname. Pathnames are constructed by concatenating multiple 4-character object names with a period as the name separator.

3.1.2 Scopes

The concept of an object *scope* relates directly to the original source ASL that describes and defines an object. An object's scope is defined as all objects that appear between the pair of open and close brackets immediately after the object. In other words, the scope of an object is the container for all of the *children* of that object.

In some of the ACPICA interfaces, it is convenient to define a scope parameter that is meant to represent this container. For example, when converting an ACPI name into an object handle, the two parameters required to resolve the name are the *name* itself, and a containing *scope* where the name can be found. When the object that matches the name is found within the scope, a handle to that object can be returned.

3.1.2.1 Example Namespace Scopes, Names, and Objects

In the ASL code below, the scope of the object `_GPE` contains the objects `_L08` and `_L0A`.

```
Scope (\_GPE)
{
    Method (_L08)
    {
        Notify (\_SB.PCI0.DOCK, 1)
    }
    Method (_L0A)
    {
        Store (0, \_SB.PCI0.ISA.EC0.DCS)
    }
}
```

In this example, there are three ACPI namespace *objects*, about which we can observe the following:

The *names* of the three objects are `_GPE`, `_L08`, and `_L0A`.

The *child objects* of parent object `_GPE` are `_L08` and `_L0A`.



The *absolute pathname* (or *fully-qualified pathname*) of object `_L08` is `\"_GPE._L08\"`.

The *scope* of object `_GPE` contains both the `_L08` and `_L0A` objects.

The *scope* of control methods `_L08` and `_L0A` contain executable AML code.

The *containing scope* of object `_L08` is the scope owned by the object `_GPE`.

The *parent* of both objects `_L08` and `_L0A` is object `_GPE`.

The *type* of both objects `_L08` and `_L0A` is `ACPI_TYPE_METHOD`.

The *next object* (or *peer object*) after object `_L08` is object `_L0A`. In the example `_GPE` scope, there are no additional objects after object `_L0A`.

Since `_GPE` is a namespace object at the root level (as indicated by the preceding backslash in the name), its parent is the *root object*, and its containing scope is the *root scope*.

3.1.3 Predefined Objects

During initialization of the internal namespace within the ACPICA Subsystem component, there are several predefined objects that are always created and installed in the namespace, regardless of whether they appear in any of the loaded ACPI tables. These objects and their associated types are shown below.

```

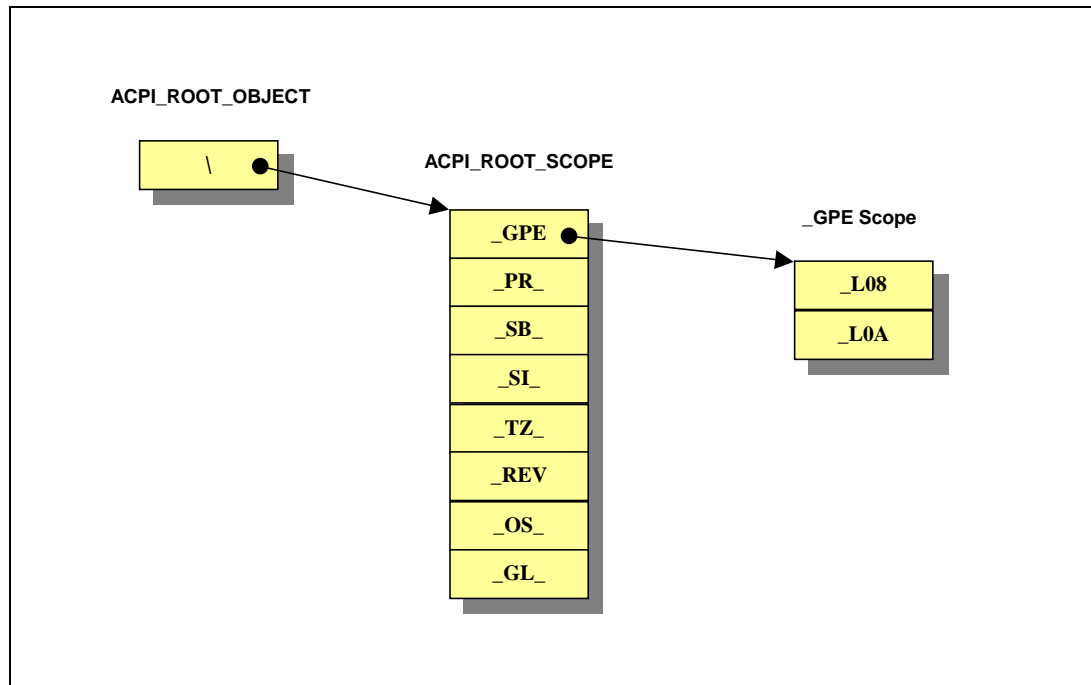
"_GPE",      ACPI_TYPE_ANY    // General Purpose Event block
"_PR_",      ACPI_TYPE_ANY    // Processor block
"_SB_",      ACPI_TYPE_ANY    // System Bus block
"_SI_",      ACPI_TYPE_ANY    // System Indicators block
"_TZ_",      ACPI_TYPE_ANY    // Thermal Zone block
"_REV",      ACPI_TYPE_NUMBER // Supported ACPI specification revision
"_OS_",      ACPI_TYPE_STRING // OS Name
"_GL_",      ACPI_TYPE_MUTEX  // Global Lock
"_OSI",      ACPI_TYPE_METHOD // Query OS Interfaces

```

3.1.4 Logical Namespace Layout

The diagram below shows the logical namespace after the predefined objects and the `_GPE` scope has been entered.

Figure 7. Internal Namespace Structure



3.2 Execution Model

3.2.1 Initialization

The initialization of the ACPICA Subsystem must be driven entirely by the host operating system. Since it may be appropriate (depending on the requirements of the host OS) to initialize different parts of the ACPICA Subsystem at different times, this initialization is split into a multi-step process. The four main steps are outlined below.

1. Perform a global initialization of the ACPICA Subsystem – this initializes the global data and other items within the subsystem.
2. Initialize the table manager and load the ACPI tables – The FADT, FACS, DSDT, and SSDTs must be acquired and mapped before the internal namespace can be constructed. The tables may be loaded from the firmware, loaded from an input buffer, or some combination of both. The minimum set of ACPI tables includes an RSDT/XSDT, FADT, FACS, and a DSDT. Any SSDTs are optional. All other ACPI tables defined by the ACPI specification are not directly used by the ACPICA subsystem, but they are available to ACPI-related device drivers via the table manager external interfaces. These tables include the MADT, ECDDT, etc.
3. Build the internal namespace – this causes ACPICA to parse the DSDT and any SSDTs and build an internal namespace from the objects found therein.
4. Enable ACPI mode of the machine. Before ACPI events can occur, the machine must be put into ACPI mode. The ACPICA Subsystem installs an interrupt handler for the System Control Interrupts (SCIs), and transitions the hardware from legacy mode to ACPI mode.



3.2.2 Memory Allocation

There are two models of memory allocation that can be used. In the first model, the caller to the ACPICA subsystem pre-allocates any required memory. This allows maximum flexibility for the caller since only the caller knows what is the appropriate memory pool to allocate from, whether to statically or dynamically allocate the memory, etc. In the second model, the caller can choose to have the ACPICA subsystem allocate memory via the `AcpiOsAllocate` interface. Although this model is less flexible, it is far easier to use and is sufficient for most environments.

Each memory allocation model is described below.

3.2.2.1 Caller Allocates All Buffers

In this model, the caller preallocates buffers of a large enough size and posts them to the ACPICA subsystem via the `ACPI_BUFFER` data type.

It is often the case that the required buffer size is not known by even the ACPICA subsystem until after the evaluation of an object or the execution of a control method has been completed. Therefore, the “get size” model of a separate interface to obtain the required buffer size is insufficient. Instead, a model that allows the caller to pre-post a buffer of a large enough size has been chosen. This model is described below.

For ACPI interfaces that use the `ACPI_BUFFER` data type as an output parameter, the following protocol can be used to determine the exact buffer size required:

1. Set the buffer length field of the `ACPI_BUFFER` structure to zero, or to the size of a local buffer that is thought to be large enough for the data.
2. Call the `Acpi` interface.
3. If the return exception code is **`AE_BUFFER_OVERFLOW`**, the buffer length field has been set by the interface to the buffer length that is actually required.
4. Allocate a buffer of this length and initialize the length and buffer pointer field of the `ACPI_BUFFER` structure.
5. Call the `Acpi` interface again with this valid buffer of the required length.

Alternately, if the caller has some idea of the buffer size required, a buffer can be posted in the original call. If this call fails, only then is a larger buffer allocated. See Section 6.2.6 – “`ACPI_BUFFER` – Input and Output Memory Buffers” for additional discussion on using the `ACPI_BUFFER` data type.

3.2.2.2 ACPI Allocates Return Buffers

In this model, the caller lets the ACPICA subsystem allocate return buffers. It is the responsibility of the caller to delete these returned buffers.

For the ACPI interfaces that use the `ACPI_BUFFER` data type as an output parameter, the following protocol is used to allow the ACPICA subsystem to allocate return buffers:

1. Set the buffer length field of the `ACPI_BUFFER` structure to **`ACPI_ALLOCATE_BUFFER`**.
2. Call the `Acpi` interface.
3. If the return exception code is `AE_OK`, the interface completed successfully and a buffer was allocated. The length of the buffer is contained in the `ACPI_BUFFER` structure.



4. Delete the buffer by calling `AcpiOsFree` with the pointer contained in the `ACPI_BUFFER` structure (do not use `ACPI_FREE`).

3.2.3 Parameter Validation

Only limited parameter validation is performed on all input parameters passed to the ACPICA Subsystem. Therefore, the host OS should perform all limit and range checks on buffer pointers, strings, and other input parameters before passing them down to the ACPICA Subsystem code.

The limited parameter validation consists of sanity checking input parameters for null pointers and out-of-range values and nothing more. Any additional parameter validation (such as buffer length validation) must occur before the host calls the ACPICA code.

3.2.4 Exception Handling

All exceptions that occur during the processing of a request to the ACPICA Subsystem are returned in an `ACPI_STATUS` return code and bubbled up to the original caller. Names for the ACPICA exceptions are all prefixed with “AE_”. For example, `AE_OK` indicates successful completion of a request.

All exception handling is performed inline by the caller to the ACPICA Subsystem interfaces. There are no exception handlers associated with either the `Acpi*` or `AcpiOs*` calls.

3.2.5 Multitasking and Reentrancy

All components of the ACPICA subsystem are intended to be fully reentrant and support multiple threads of execution. To achieve this, there are several mutual exclusion OSL interfaces that must be properly implemented with the native host OS primitives to ensure that mutual exclusion and synchronization can be performed correctly. Although dependent on the correct implementation of these interfaces, the ACPICA Subsystem is otherwise fully reentrant and supports multiple threads throughout the component, with the exception of the AML interpreter, as explained below.

Because of the constraints of the ACPI specification, there is a major limitation on the concurrency that can be achieved within the AML interpreter portion of the subsystem. The specification states that at most one control method can be actually executing AML code at any given time. If a control method blocks (an event that can occur only under a few limited conditions), another method may begin execution. However, it can be said that the specification precludes the concurrent execution of control methods. Therefore, the AML interpreter itself is essentially a single-threaded component of the ACPICA subsystem. Serialization of both internal and external requests for execution of control methods is performed and managed by the front-end of the interpreter.

3.2.6 Event Handling

The term *Event Handling* is used somewhat loosely to describe the class of asynchronous events that can occur during the execution of the ACPICA subsystem. These events include:

- System Control Interrupts (SCIs) that are generated by both the ACPI Fixed and General Purpose Events.
- Notify events that are generated via the execution of the ASL *Notify* keyword in a control method.



- Events that are caused by accesses to an address space or operation region during the execution of a control method.

Each of these events and the support for them in the ACPICA subsystem are described in more detail below.

3.2.6.1 Fixed Events

Incoming Fixed Events can be handled by the default ACPICA subsystem event handlers, or individual handlers can be installed for each event. Only device drivers or system services should install such handlers.

3.2.6.2 General Purpose Events

Incoming General Purpose Events (GPEs) are usually handled by executing a control method that is associated with a particular GPE. According to the ACPI specification, each GPE level may have a method associated with it whose name is of the form `_Exx` for edge-triggered or `_Lxx` for level-triggered. `xx` is the GPE level in hexadecimal (See the ACPI specification for complete details.) This control method is never executed in the context of the SCI interrupt handler, but is instead queued for later execution by the host operating system.

In addition to this mechanism, individual handlers for GPE levels may be installed. It is not required that a handler be installed for a GPE level, and in fact, currently the only device that requires a dedicated GPE handler is the ACPI Embedded Controller. A device driver for the Embedded Controller would install a handler for the GPE that is dedicated to the EC.

If a GPE handler is installed for a given GPE, the handler takes priority and any `_Exx/_Lxx` method for that GPE is no longer invoked.

GPE Block Devices are also supported. These GPE blocks may be installed and removed dynamically as necessary. The ACPICA Subsystem provides centralized GPE handling and dispatch, and provides the necessary interfaces to install and remove GPE Block Devices.

3.2.6.3 Notify Events

An ACPI Notify Event occurs as a result of the execution of a *Notify* opcode during the execution of a control method. A notify event occurs on a particular ACPI object, and this object must be a device or thermal zone. If a handler is installed for notifications on a particular device, this handler is invoked during the execution of the *Notify* opcode, in the context of the thread that is executing the control method.

Notify handlers should be installed by device drivers and other system services that know about the particular device or thermal zone on which notifications will be received.

3.2.7 Address Spaces and Operation Regions

ASL source code and the corresponding AML code use the *Address Space* mechanism to access data that is out of the direct scope of the ASL. For example, Address Spaces are used to access the CMOS RAM and the ACPI Embedded Controller. There are several predefined Address Spaces that may be accessed and user-defined Address Spaces are allowed.

The Operating System software (which includes the AML Interpreter) allows access to the various address spaces via the ASL *Operation Region* (OpRegion) construct. An OpRegion is a named window into an address space. During the creation of an OpRegion, the ASL programmer defines



both the boundaries (window size) and the address space to be accessed by the OpRegion. Specific addresses within the access window can then be defined as named *fields* to simplify their use.

The AML Interpreter is responsible for translating ASL/AML references to named *Fields* into accesses to the appropriate Address Space. The interpreter resolves locations within an address space using the fields' address within an OpRegion and then the OpRegion's offset within the address space. The resolved address, address access width, and function (read or write) are then passed to the address space handler who is responsible for performing the actual physical access of the address space.

3.2.7.1 Installation of Address Space Handlers

At runtime, the ASL/AML code cannot access an address space until a handler has been installed for that address space. An ACPICA user can either install the default address space handlers or install user defined address space handlers using the *AcpiInstallAddressSpaceHandler* interface.

Each Address Space is “owned” by a particular device such that all references to that address space within the *scope* of the device will be handled by that devices address space handler. This mechanism allows multiple address space/operation region handlers to be installed for the same *type* of address space, each mutually exclusive by virtue of being governed by the ACPI address space scoping rules. For example, picture a platform with two SMBus devices, one an embedded controller based SMBus; the other a PCI based SMBus. Each SMBus must expose its own address space to the ASL without disrupting the function of the other. In this case, there may be two device drivers and two distinctly different address space handlers, one for each type of SMBus. This mechanism can be employed in a similar manner for the other predefined address spaces. For example, the PCI Configuration space for each PCI bus is unique to that bus. Creation of a region within the scope of a PCI bus must refer only to that bus.

Address space handlers must be installed on a named object in the ACPI namespace or on the special object ACPI_ROOT_OBJECT. This is required to maintain the scoping rules of address space access. Address handlers are installed for the namespace object representing the device that “owns” that address space. Per ASL rules, regions that access that address space must be declared in the ASL within the scope of that namespace object.

It is the responsibility of the ACPICA user to enumerate the namespace and install address handlers as needed.

3.2.7.2 ACPI-Defined Address Spaces

The ACPI specification defines address spaces for:

- System Memory
- System I/O
- PCI Configuration Space
- System Management Bus (SMBus)
- Embedded Controller
- CMOS
- PCI Bar Target
- IPMI (ACPI 4.0)
- General Purpose I/O (ACPI 5.0)
- Generic Serial Bus (ACPI 5.0)



The ACPICA subsystem implements default address space handlers for the following ACPI defined address spaces:

- System Memory
- System I/O
- PCI Configuration Space

Default address space handlers can be installed by supplying the special value `ACPI_DEFAULT_HANDLER` as the handler address when calling the *AcpInstallAddressSpaceHandler* interface.

The other predefined address spaces (such as Embedded Controller and SMBus) have no default handlers and will not be accessible without OS provided handlers. This is typically the role of the Embedded Controller, SMBus, and other ACPI-related device drivers.

3.2.7.3 Sharing Resources between Device Drivers and AML

There may be situations where an ACPI-related device driver and the associated ASL/AML code must share device registers, memory locations, etc.

ACPICA provides a mechanism to allow the device driver to own these locations and registers such that all AML access is automatically forwarded to the driver. A custom address space handler can manage these shared resources.

Device drivers and OSPM code can install a custom address space handler for any particular device so that the driver has exclusive control over access to the device registers. ACPICA allows each and every device in the namespace to have a unique address space handler (for any of the ACPI address spaces). Whenever the ASL code for the device executes and accesses the registers/locations (via an Operation Region), the device driver address space handler will be invoked, thus giving the driver complete control over the shared resource.

Note: The custom address space handler will intercept only those accesses that are performed by the ASL code that is within the scope of the device where it is installed. This does not affect handling of accesses for any other devices in the namespace. For example, the default SystemIO space handler might be used for all I/O access in the entire namespace except for a particular device where a custom handler is installed because of the need to share I/O ports.



3.2.7.3.1 ASL Shared Resource Example

Below is a snippet of ASL code that defines and accesses an I/O Operation Region and several shared I/O registers (**COST** and **VREG**).

```
Scope (_SB)
{
    Device (PCI0)
    {
        Name (_HID, EisaId ("PNP0A08")) // _HID: Hardware ID

        Device (PS2K)
        {
            Name (_HID, EisaId ("PNP0303")) // _HID: Hardware ID

            OperationRegion (PKBS, SystemIO, 0x60, 0x05)
            Field (PKBS, WordAcc, Lock, Preserve)
            {
                COST,    16,
                VREG,    16
            }

            Method (_AC0, 0, NotSerialized)
            {
                And (COST, 0xFFFF, COST)
                Store (0x1234, VREG)
                Or (COST, 0xFFFF6, COST)

                Store (COST, Debug)
                Return (COST)
            }
        }
    }
}
```

3.2.7.3.2 Custom Address Space Handler Installation

In order to trap accesses to the registers defined in the example above, the device driver must obtain a handle to the device in the ACPI namespace and then install a custom address space handler for the device. Once the address space handler is installed, all ASL/AML accesses to the **PKBS** Operation Region (above) via the **COST** and **VREG** I/O ports will be forwarded to the driver for processing.

```
Status = AcpiGetHandle (NULL, "\\_SB.PCI0.PS2K", &ObjHandle);

Status = AcpiInstallAddressSpaceHandler (ObjHandle, ACPI_ADR_SPACE_SYSTEM_IO,
    RegionHandler, RegionInit, MyContext);
if (ACPI_FAILURE (Status))
{
    ACPI_EXCEPTION ((AE_INFO, Status,
        "Could not install an OpRegion handler for PS2K device (%p)",
        ObjHandle));
}
```



Using the `acpiexec` utility and executing the "handlers" command, we see that the custom handler for `_SB_.PCI0.PS2K` has been installed:

```
- handlers

Operation Region Handlers at the namespace root:
  SystemMemory (00) : User      (00422A30) /* default acpiexec handler */
  SystemIO (01) : User         (00422A30) /* default acpiexec handler */

Operation Region Handlers for specific devices:
  SystemIO (01) : User         (00422280) Device Name: \_SB_.PCI0.PS2K
```

Executing the `_AC0` method (which accesses the I/O registers defined in the `PKBS` Operation Region), we see that the custom `SystemIO` handler for `_SB_.PCI0.PS2K` is invoked multiple times:

```
- evaluate \_SB_.PCI0.PS2K._AC0

Evaluating \_SB_.PCI0.PS2K._AC0
ACPI: PCI0.PS2K SystemIO request at: 0x0000000000000060 [READ]
ACPI: PCI0.PS2K SystemIO request at: 0x0000000000000060 [WRITE]
ACPI: PCI0.PS2K SystemIO request at: 0x0000000000000062 [WRITE]
ACPI: PCI0.PS2K SystemIO request at: 0x0000000000000060 [READ]
ACPI: PCI0.PS2K SystemIO request at: 0x0000000000000060 [WRITE]
ACPI: PCI0.PS2K SystemIO request at: 0x0000000000000060 [READ]
[ACPI Debug] Integer 0x0000000000000000
ACPI: PCI0.PS2K SystemIO request at: 0x0000000000000060 [READ]
Evaluation of \_SB_.PCI0.PS2K._AC0 returned object 00323EC8, buffer length 10
 [Integer] = 0000000000000000
```

3.3 Policies and Philosophies

This section provides insight into the policies and philosophies that were used during the design and implementation of the ACPICA Subsystem. Many of these policies are a direct interpretation of the ACPI specification. Others are a direct or indirect result of policies and procedures dictated by the ACPI specification. Still others are simply standards that have been agreed upon during the design of the subsystem.

3.3.1 External Interfaces

3.3.1.1 Exception Codes

All external interfaces (Acpi*) return an exception code as the function return. Any other return values are returned via pointer(s) passed as parameters. This provides a consistent and simple synchronous exception-handling model.

Since the ACPICA Subsystem is reentrant and supports multiple threads on multiple operating systems, a model where an exception code is stored in the task descriptor (such as the *errno* mechanism) was purposefully avoided to improve portability.

3.3.1.2 Memory Buffers

Memory for return objects, buffers, etc. that is returned via the external interfaces is rarely allocated by the subsystem itself. The model chosen is to force the caller to always pre-allocate memory. This forces the calling software to manage both the creation and deletion of its own buffers — hopefully



minimizing memory fragmentation and avoiding memory leaks. The exception to this is the ACPI_BUFFER type, where the caller can direct the ACPICA subsystem to allocate return buffers.

3.3.2 Subsystem Initialization

3.3.2.1 ACPI Table Validation

All ACPI tables that are examined by the ACPICA Subsystem undergo some minimal validation before they are accepted. This includes all tables found in the RSDT regardless of whether the signature is recognized, and all tables loaded from user buffers. The following validations are performed on each table. A warning is issued for tables that do not pass one or more of these tests:

1. The Table pointer must point to valid physical memory
2. The signature (in the table header) must be 4 ASCII chars, *even if the name is not recognized.*
3. The table must be readable for length specified in the header
4. The table checksum must be valid (with the exception of the FACS, which has no checksum).

Other than this validation, tables that are not recognized by their table header signature are simply ignored.

3.3.2.2 Required ACPI Tables

At the very minimum, the ACPICA Subsystem requires the following ACPI tables:

1. One *Fixed ACPI Description Table* (FADT — signature “FACP”). This table contains configuration information about the ACPI hardware and pointers to the FACS and DSDT tables.
2. One *Firmware ACPI Control Structure* (FACS). This table contains the OS-to-firmware interface including the firmware waking vector and the Global Lock.
3. One *Differentiated System Description Table* (DSDT). This table contains the primary AML code for the system.
4. Optional are one or more *Secondary System Description Tables* (SSDTs) that contain additional AML code. All SSDTs found in the RSDT/XSDT root table are loaded during the table/namespace initialization. Other SSDTs and OEM tables can be loaded at runtime via the *Load* or *LoadTable* AML operators.

3.3.3 Major Design Decisions

3.3.3.1 Performance versus Code/Data Size

The ACPICA subsystem is optimized to minimize code and data size at the expense of performance. The relatively static internal namespace data structure has been optimized to minimize non-paged kernel memory use, and control method execution parse trees are freed immediately upon method termination.



3.3.3.2 Object Management – No Garbage Collection

Creation and deletion of all internal objects are managed such that garbage collection is never required or performed. Objects are deleted deterministically when they are no longer needed. This is achieved through the use of object reference counts and object trees.

Internal object caches allow the reuse of commonly used objects without burdening the OS free space manager. This greatly improves the performance of the entire subsystem.



4 Implementation Details

4.1 Required Host OS Initialization Sequence

This section describes a generic operating system initialization sequence that includes the ACPICA subsystem. The ACPICA subsystem must be loaded very early in the kernel initialization. In fact, ACPI support must be considered to be one of the fundamental startup modules of the kernel. The basic OS requirements of the ACPICA subsystem include memory management, synchronization primitives, and interrupt support. As soon as these services are available, ACPICA should be initialized. Only after ACPI is available can motherboard device enumeration and configuration begin.

In summary, ACPI Tables are descriptions of the hardware, therefore must be loaded into the OS very early.

4.1.1 Bootload and Low Level Kernel Initialization

- OS is loaded into memory via bootloader or downloader
- Initialize OS data structures, objects and run-time environment
- Initialize low-level kernel subsystems
- Initialize ACPI Table Manager if early ACPI table access is required
- Initialize and enable free space manager
- Initialize and enable synchronization primitives
- Initialize basic interrupt mechanism and hardware
- Initialize and start system timer

4.1.2 ACPICA Subsystem Initialization

- Initialize ACPICA Table Manager and Load ACPI Tables
- Initialize Namespace
- Initialize ACPI Hardware and install SCI interrupt handler
- Initialize ACPI Address Spaces (Default handlers and user handlers)
- Initialize ACPI Objects (`_STA`, `_INI`)
- Find PCI Root Bus(es) and install PCI config space handlers

4.1.3 Other OS Initialization

- Remaining non-ACPI Kernel initialization
- Initialize and start System Resource Manager
- Determine processor configuration



4.1.4 Device Enumeration, Configuration, and Initialization

- Match motherboard devices to drivers via `_HID`
- Initialize PCI subsystem: Obtain `_PRT` interrupt routing table and Initialize PCI routing. PCI driver enumerates PCI bus and loads appropriate drivers.
- Initialize Embedded Controller support/driver
- Initialize SM Bus support/driver
- Load and initialize drivers for any other motherboard devices

4.1.5 Final OS Initialization

- Load and initialize any remaining device drivers
- Initialize upper layers of the OS
- Activate user interface

4.2 Required ACPICA Initialization Sequence

This section presents a detailed description of the initialization process for the ACPICA subsystem. The initialization interfaces are provided at a sufficient granularity to allow customization of the initialization sequence for each host operating system and host environment.

4.2.1 Global Initialization – `AcpInitializeSubsystem`

This mandatory step begins the initialization process and must be first. It initializes the ACPICA Subsystem software, including all global variables, tables, and data structures. All components of the ACPICA Subsystem are initialized, including the OSL interface layer and the OSPM layer. The interface provided is *AcpInitializeSubsystem*.

4.2.2 ACPI Table and Namespace Initialization

This required phase loads the ACPI tables from the BIOS and initializes the internal ACPI namespace.

4.2.2.1 `AcpInitializeTables`

This function initializes the ACPICA Table Manager. This component is independent of the rest of the ACPICA subsystem and may be initialized and executed at any time during kernel initialization, even before dynamic/virtual memory is available. This allows the ACPI tables to be acquired very early in the kernel initialization process. Some ACPI tables are required during early kernel initialization/configuration – such as the SLIT (System Locality Distance Information Table), SRAT (System Resource Affinity Table), and MADT (Multiple APIC Description Table.)

4.2.2.2 `AcpGetTable`, `AcpGetTableHeader`, `AcpGetTableByIndex`

These functions may be used by the host OS and device drivers to obtain individual ACPI tables as necessary. The only ACPI tables that are consumed by the ACPICA subsystem are the FADT, FACS, DSDT, and any SSDTs. All other ACPI tables present on the platform must be consumed by



the host OS and device drivers. For example, the ECDT (Embedded Controller Boot Resources Table) is used by the host-dependent Embedded Controller device driver.

4.2.2.3 AcpiLoadTables

This interface creates the internal ACPI namespace data structure from the DSDT and SSDTs found in the RSDT/XSDT root table. All SSDTs found in the root table are loaded. Other SSDTs may be loaded by AML code at runtime via the AML Load operator. OEM tables that appear in the RSDT/XSDT can only be loaded via the AML LoadTable operator.

4.2.2.4 Internal ACPI Namespace Initialization

As the various ACPI tables are loaded (installed into the internal data structures of the CA subsystem), the internal ACPI Namespace (database of named ACPI objects) is constructed from those tables. As each table is loaded, the following tasks are automatically performed:

- First pass parse – Load all named ACPI objects into the internal namespace
- Second pass parse – Resolve all forward references within the ACPI table
- First pass parse of all control methods – Sanity check to ensure that the tables can be completely parsed, including the control methods. The resulting parse tree is not stored, since control methods are parsed on the fly every time they are executed. (This task represents minimal CPU overhead, and saves huge amounts of memory that would be consumed by storing parse trees.)
- Lock the namespace so that GPEs will not cause control methods to run

4.2.3 Hardware Initialization – AcpiEnableSubsystem

This step continues the subsystem initialization and is more hardware oriented. It first puts the system into ACPI mode, then installs the default Operation Region handlers, initializes the event manager, and installs the SCI and Global Lock handlers.

During the event manager initialization, fixed events are initialized and enabled. GPEs are initialized, but are not enabled at this time.

To summarize the actions performed by this call:

- Enter ACPI Mode.
- Install default operation region handlers for the following address spaces that must always be available: SystemMemory, SystemIO, PCI_Config, and DataTable.
- Initialize ACPI Fixed and General Purpose events (not enabled at this time, however.)
- Install the SCI and Global Lock interrupt handlers.

4.2.3.1 ACPI Hardware and Event Initialization

This step puts the system into ACPI mode if necessary, sets up the ACPI hardware, initializes the ACPI Event handling, and installs the ACPI interrupt handlers. This step is optional when running in “hardware-independent” mode – when there is no access to hardware by the ACPICA subsystem (For example, the *AcpiExec* utility runs in this mode.)



The ACPI hardware must be initialized and an SCI interrupt handler must be installed before it is architecturally safe to evaluate ACPI objects and execute control methods, for the following reasons:

1. Any ACPI named object (predefined or otherwise) can be implemented as a control method and there is no way to safely make any assumptions about which objects are and are not implemented as control methods. This is dependent on the individual AML on each platform.
2. Because control methods can access the ACPI hardware, cause ACPI interrupts (SCIs), and most interesting of all, *can block while waiting for an SCI to be serviced*, it is inherently unsafe and architecturally incorrect to attempt to execute control methods without first initializing the hardware and installing the SCI interrupt handler

This step is only optional when running in “hardware-independent” mode. Otherwise it is required to setup the ACPI hardware and System Control Interrupt handling. ACPI mode is entered if the machine is in legacy mode. If the machine is already in ACPI mode (such as an IA-64 machine), no action is required.

When this step is complete, control methods may be executed because the hardware is now initialized and the subsystem is able to take ACPI-related interrupts (*System Control Interrupts or SCIs*). The execution of any control method (including the **_REG** methods) can cause the generation of an SCI – therefore, the hardware must be initialized before control methods may be run. Additional ACPICA subsystem initialization that requires control method execution can now be completed.

4.2.4 Handler Installation

Once the namespace has been constructed and the hardware has been initialized, the OS should install any handlers that it may require during execution of the ACPICA subsystem. The purpose of installing these handlers at this point in the initialization process is so that the handlers are in place before execution of any control methods is allowed – thereby insuring that any custom handlers will not miss any of the events that they are intended to handle. Any handlers installed in this phase will override any default handlers.

4.2.4.1 Handler Types

The following handler installation interfaces are available

Initialization Handler: *AcpiInstallInitializationHandler*

This function is used to install a global handler for ACPICA initialization events. Currently, the handler is called after the execution of every device **_INI** method.

Table Event Handler: *AcpiInstallTableHandler*

This function is used to install a global handler for ACPI table load/unload events.

AML Exception Handler: *AcpiInstallExceptionHandler*

This function is used to install a global handler for AML run-time exceptions.

Address Space Handlers: *AcpiInstallAddressSpaceHandler*

This function is used to install address space handlers to override the default address space handlers (for the predefined address spaces) or install handlers for custom address spaces. These handlers are invoked to implement Operation Region requests. Note: during the installation, any



_REG methods associated with the SpaceID are executed. Thus, the Address Space Handlers can only be installed after the hardware has been initialized.

Fixed Event Handlers: *AcpiInstallFixedEventHandler*

This function is used to install handlers for ACPI Fixed Events.

General-Purpose Event Handlers: *AcpiInstallGpeHandler*

This function is used to install handlers for ACPI General Purpose Events (GPEs).

Notify Handlers: *AcpiInstallNotifyHandler*

This function is used to install handlers for ACPI device, thermal zone, and processor notifications.

4.2.5 Object Initialization – AcpiInitializeObjects

This step completes the initialization of all objects within the loaded namespace, then initializes and enables the runtime general-purpose events:

- Initialize all Operation Regions. This step runs all Operation Region _REG methods for the address spaces with default handlers – SystemMemory, SystemIO, PCI_Config, and DataTable. Note: Operation Regions that are declared within control methods are not initialized until actual execution of the method.
- Finish initialization of complex objects (Operation Regions, BufferFields, Buffers, BankFields, and Packages) that contain executable AML code within the declaration.
- Initialize all Device, Processor and Thermal objects within the namespace by executing the _STA and _INI methods on each of these objects.
- Initialize the FADT-defined GPE blocks.
- Execute all _PRW methods within the namespace. These methods identify and define the GPEs that are used for wake events. These types of GPEs are never enabled at runtime, they are only enabled as the system enters a sleep state.
- Enable all runtime GPEs. The GPEs can only be enabled after the _REG, _STA, and _INI methods have been run. This ensures that all Operation Regions and all Devices have been initialized and are ready.

4.2.5.1 ACPI Device Initialization

During this step, all Device, Processor, and Thermal objects found within the ACPI namespace are initialized. The _INI method is executed for all devices that are present as indicated by the _STA method. This is *not* an actual initialization of the device hardware – this is left to the actual device drivers for the hardware.

The entire namespace is traversed and the _STA and _INI methods are run on all ACPI objects of type *Device*, *Processor*, and *Thermal* found therein. Any operation regions accessed by these methods will be automatically initialized by the just-in-time address space initialization mechanism. The initialization is performed via the following steps:

- A namespace analysis is performed to identify all subtrees that contain devices that have a corresponding _INI method. This greatly enhances the speed of this step and can reduce



operating system boot time. If there is no **_INI** method for a given device, then no attempt is made to execute the **_STA** method for the device.

- If the device has an **_INI** method, attempt to execute the **_STA** method for the device.
- If **_STA** does not exist within the scope of the device, the device is assumed to be both *present* and *functional* – as per the ACPI specification.
- If the **_STA** flags indicate the device is *not present* but *functioning*, do not run **_INI** on the device, but continue to examine the children of the device.
- If the **_STA** flags indicate the device is *not present* and *not functioning*, do not examine the children of this device – abort the walk of this subtree of the namespace.
- If the **_STA** flags indicate that the device is *present*, then attempt to execute the **_INI** method for the device.
- The global initialization handler is called after the execution of every **_INI** method.

4.2.5.2 Other ACPI Object Initialization

This step initializes the remaining AML Operation Regions and Fields that were not initialized during the device and address space initialization.

Operation Regions and CreateField ASL statements can contain executable AML code and therefore the initialization of the objects must be deferred until the CA subsystem and ACPI hardware are both initialized. Some of this initialization may have been completed during the earlier steps. This step completes that initialization.

This final pass through the loaded ACPI tables will execute all AML code outside of the control methods that has not already been executed on-demand during the previous phases. The purpose is to initialize the Field and OpRegion objects by executing all CreateField, OperationRegion code in the AML. ACPI 2.0 has additional elements that will need to be initialized this way (*Not yet implemented.*)

4.2.6 Other Operating System ACPI-related Initialization

All external ACPI interfaces are available and the host OS can perform the following initialization steps:

- Enumerate devices using the **_HID** method
- Load, configure, and install device drivers
- Device Drivers install handlers for other address spaces such as SMBus, EC, IPMI, and custom address spaces
- The PCI driver enumerates PCI devices and loads PCICongfig handlers for PCI-to-PCI-bridge devices (which causes the associated child PCI bus_REG methods to run, etc.)

4.2.7 Just-in-time Operation Region Initialization

This phase includes just-in-time initialization for any Operation Regions, Packages, Buffers, or Fields that are accessed by the control methods executed here. For example, if a **_REG** method for a PCICongfig address space accesses a SystemMemory Operation Region, the definition of that



particular SystemMemory region is fully evaluated at that time. (Operation Regions and CreateField ASL statements can contain executable AML code and therefore the initialization of the objects must be deferred until the CA subsystem and ACPI hardware are both initialized).

Therefore, Address Spaces are initialized *in the order in which they are accessed*, not in the order that they are declared in the ASL source code.

When any Address Space is initialized, the associated **_REG** method (if any) is executed as well.

4.2.7.1 SystemMemory Region Initialization

For each operation region within the SystemMemory address space, a memory mapped window of maximum size **ACPI_SYSMEM_REGION_WINDOW_SIZE** is maintained, in an attempt to minimize the overhead of mapping entire operation regions if they are very large.

When a request is received that is outside of the current window, the existing mapping is deleted and a new mapping that can service the request is created.

This mapping feature is implemented in the default handler for the SystemMemory address space.

4.2.7.2 PCI_Config Region Initialization

For these operation regions, the namespace is searched upwards from the region to find the corresponding PCI Root Bridge.

If a **_HID** or **_CID** method under a device object indicates the presence of a PCI Root Bridge (an ID value of PNP0A03 or PNP0A08 for PCI Express), perform PCI Configuration Space initialization on the bridge. Install the PCI address space handler on the bridge (and on all descendants) and run the **_REG** method for the device if it is present. Then execute the **_ADR**, **_SEG**, and **_BBN** methods (in the bridge scope) to obtain the PCI Device, Function, Segment, and Bus numbers. Finally, run the associated **_REG** method to indicate the availability of the region.

- The initial PCI Device and Function values are obtained from the **_ADR** method.
- The initial PCI Segment number is obtained from the **_SEG** method.
- The initial PCI Bus number is obtained from the **_BBN** method.
- The final PCI ID consisting of Device, Function, Segment, and Bus is obtained by calling the `AcpiHwDerivePciId` OSL interface. This function adjusts the Bus, Device, and Function numbers based upon the PCI device tree and the PCI configuration space registers. This allows for a dynamic value for the Bus number based upon the hardware configuration and initialization.

When accessing a PCI_Config operation region, all I/O from/to the PCI configuration space is performed via the OSL interfaces `AcpiOsReadPciConfiguration` and `AcpiOsWritePciConfiguration`.

The (internal) `AcpiHwDerivePciId` function derives a full PCI ID for a PCI device, consisting of a Segment number, a Bus number, and a Device number.

The PCI hardware dynamically configures PCI bus numbers depending on the bus topology discovered during system initialization. The `AcpiHwDerivePciId` function is invoked by the ACPICA subsystem during configuration of a `PCI_Config` Operation Region in order to (possibly) update the Bus number in the `PciId` with the actual Bus number as determined by the hardware and operating system configuration.



The *PciId* parameter is initially populated by the ACPICA subsystem during the Operation Region initialization. ACPICA then calls *AcpiHwDerivePciId*, which makes any necessary modifications to the Segment, Bus, or Device number PCI ID subfields as appropriate for the current hardware and OS configuration.

4.2.8 System Shutdown – AcpiTerminate

This step frees all dynamically allocated resources back to the host operating system. The ACPICA subsystem may be re-initialized and restarted from the beginning anytime after this step completes.

4.3 Multithreading Support

4.3.1 Reentrancy

All external interfaces to the ACPICA Subsystem are fully reentrant. There are limitations to the amount of concurrency allowed during control method execution, but these limitations are transparent to the calling threads — in the sense that threads that attempt to execute control methods will simply block until the interpreter becomes available.

4.3.2 Mutual Exclusion and Synchronization

Three different types of synchronization objects are used by the ACPICA code:

3. **Mutex objects.** These objects are used for high-level mutual exclusion within the ACPICA Subsystem and AML interpreter and to implement the ASL Mutex operators, as well as the ACPI Global Lock. If there are no mutex primitives available in the host OS, they can be implemented with semaphore objects (binary semaphores.)
4. **Semaphore objects.** These objects are used for synchronization and to implement the ASL Event operators.
5. **Spin Locks.** These objects are only used at interrupt level (in interrupt handlers).

4.3.2.1 Internal use of Mutex Objects

ACPICA defines the following mutex objects for internal use:

- Interpreter:** Lock for the entire AML interpreter
- Namespace:** Lock for the internal ACPI namespace data structure
- Tables:** Lock for the data structures for the ACPI tables received from the BIOS
- Events:** Lock for the data structures related to ACPI events (GPEs, Fixed Events, etc.)
- Caches:** General lock for internal caches
- Memory:** Lock for the debug-only memory tracking list(s)
- Debug Command Complete:** Synchronization for the AML debugger
- Debug Command Ready:** Synchronization for the AML debugger



When using these mutex objects, ACPICA obeys the following rules:

- 1) Mutex objects are always acquired in the order of the objects defined above. For example, if the Tables lock has been acquired, the Namespace or Interpreter lock will never be subsequently acquired .
- 2) However, the acquisition of a mutex does not imply or require that previous mutex objects must be acquired. In other words, the Namespace lock may be acquired without holding the Interpreter lock.
- 3) Mutex objects are never acquired recursively by ACPICA.
- 4) Mutex objects are always released in the reverse of the acquisition order.
- 5) The ACPI_MUTEX_DEBUG compile-time option may be specified that will enable code that checks for and enforces the rules above. This option is typically used to debug the ACPICA code and ensure that the rules above are strictly adhered to.

These rules of use are published here in order to help developers implement the mutex objects within the host OSL.

NOTE: These rules do not apply directly to the ASL/AML **Mutex** object, which has slightly different rules as defined by the ACPI specification.

In addition, there are several other miscellaneous mutex objects used internally:

Namespace Read/Write: Two mutex objects are used to implement a readers/writers lock that is used for namespace walks and dynamic ACPI table loading and unloading

Global Lock: Used to implement the AML global lock object. This is used in conjunction with a global lock semaphore and global lock spinlock.

_OSI Method: Lock for the _OSI information data structures.

4.3.2.2 Internal use of Spinlock Objects

ACPICA uses several internal spinlocks for the following:

- 1) Internal object reference counting mechanism
- 2) GPE data structures and registers
- 3) Other ACPI hardware (Fixed, events, etc.) data structures and registers
- 4) Global lock pending bit



4.3.3 Control Method Execution

Most of the multithread support within the ACPICA subsystem is implemented using traditional locks and mutexes around critical (shared) data areas. However, the AML interpreter design is different in that the ACPI specification defines a special threading behavior for the execution of control methods. The design implements the following portion of the ACPI specification that defines a partially multithreaded AML interpreter in these four sentences:

A control method can use other internal, or well-defined, control methods to accomplish the task at hand, which can include defined control methods provided by the operating software. Interpretation of a Control Method is not preemptive, but can block. When a control method does block, the operating software can initiate or continue the execution of a different control method. A control method can only assume that access to global objects is exclusive for any period the control method does not block.

4.3.3.1 Control Method Blocking

First of all, how can a control method block? This is a fairly exhaustive list of the possibilities:

1. Executes the **Sleep()** ASL opcode
2. Executes the **Acquire()** ASL opcode and the request cannot be immediately satisfied
3. Executes the **Wait()** ASL opcode and the request cannot be immediately satisfied
4. Attempts to acquire the **Global Lock** (via Operation Region access, etc), but must wait
5. Attempts to execute a control method that is serialized and already executing (or is blocked), or has reached its concurrency limit
6. Invokes the host debugger via a write to the debug object or executes the **BreakPoint()** ASL opcode
7. Accesses an **Operation Region** which results in a dispatch to a user-installed handler that blocks on I/O or other long-term operation
8. A **Notify** AML opcode results in a dispatch to a user-installed handler that blocks in a similar way

4.3.3.2 Control Method Execution Rules

Here are some Control Method execution “rules” that the ACPICA multithread support is built upon. These rules are not always stated explicitly in the ACPI specification — some of them are inferred.

1. A Control Method will run to completion (as far as the interpreter is concerned – this doesn’t include thread preemption and interrupt handling by the OS) unless it blocks (i.e. a control method will not be arbitrarily preempted *by the interpreter*.)
2. If a Control Method blocks, the next Control Method in the queue will be executed. When the original (blocked) control method becomes ready, it will **not** preempt the executing method. Instead, it will be placed back on the execution queue (*We could place the method at the tail or the head of the execution queue, or leave this decision to the OSL implementers*).
3. Methods can be *serialized* (non-reentrant) or reentrant. A thread will block if an attempt is made to execute (either via direct invocation or indirectly via a method call) a serialized method that is already executing (or is blocked).



4. The “implicit” synchronization supported by Operation Regions and mentioned in the ACPI specification seems to depend entirely on the non-preemptive control method execution model (see above.)

4.3.3.3 A Simple Multithreading Model

The actual mechanisms to block a thread are simple and are already in place on the OSL side:

1. **Sleep ()** – directly implemented via *AcpiOsSleep ()*, will block the caller and free the processor.
2. **Acquire ()** – implemented via an **AcpiOsMutex**.
3. **Wait ()** – implemented via an **AcpiOsSemaphore**.
4. **Global Lock** – implemented via an **AcpiOsMutex** and the interrupt caused by the release of the lock.
5. Concurrency limit – we could put a queue at each method (high overhead), or simply re-queue the thread (perhaps in a high-priority queue if we implement one).
6. Host Debugger – These are simply **AcpiOs*** calls that we assume will block for a long time.
7. Operation Region Handler blocks on some OS primitive
8. Notify handler blocks in the same manner as (7).

These mechanisms are sufficient to implement the blocking, but this isn’t enough to implement the execution semantics of “no preemption unless the method does something to block itself”. This requires additional support. I will take a stab at a multithread model here; please feel free to modify or comment.

1. True concurrent control method execution is not allowed. Although the interpreter is “reentrant” in the sense that more than one thread can call into the interpreter, only one thread at any given time (system wide) can be **actively** interpreting a control method. All other control methods (and the threads that are executing them) must be either blocked or awaiting execution/resumption.
2. Therefore, we can put a mutex around the entire interpreter and only allow a thread access to the interpreter when there are no other accessing threads.
3. The implication and result is that when an executing control method blocks, it is defined to have stopped accessing the interpreter, and is no longer executing within the interpreter.
4. If any interrupt handler needs interpreter services (such as the EC driver and the **_Qxx** control methods), it must schedule a thread for execution. When it runs, this thread calls the interpreter to execute the method.



The algorithm below implements the model described above:

```
AmlExecuteControlMethod ()
  Acquire (Global Interpreter Lock)
  If <the method does anything that might block>
    Check if it will block (such as wait on a semaphore with a zero timeout, or
    grab global lock)
    If <we know or the method will block or still think that it might block>
      (such as sleep, acquire-no-units, wait-no-event, global lock not available,
      reached concurrency limit) - and perhaps before we dispatch to a user
      OpRegion or Notify handler)
      Release (Global Interpreter Lock)      (Allow another thread to execute a
      method)
      Execute the blocking call (AcpiOsSleep or AcpiOsWaitSemaphore)
      Acquire (Global Interpreter Lock)      (Must re-enter the interpreter,
      can't preempt running thread!)
  Release (Global Interpreter Lock)      (Finished with this method, free the
  interpreter)
```

4.3.3.4 A More Complex Multithreading Model

This extension to the model shown above adds a mechanism to implement a “priority” system where all executing and blocked Control Methods have a higher priority than methods that are queued and have never executed yet. This allows the interpreter some control over the scheduling of threads that are executing control methods, without relying directly on an OS-defined priority mechanism. In other words, it provides an OS-dependent way to schedule threads the way we want.

Two semaphores are used, call them an “Outer Gate” and an “Inner Gate”. A thread must pass through both gates before it can begin execution. Once inside both gates, it releases the outer gate, allowing a thread in to wait at the inner gate. When the first thread completes execution of the method, it releases the inner gate, allowing the next thread to proceed. If at any time during execution a thread must block, it releases the inner gate, blocks, then re-acquires the inner gate when it resumes execution.

The maximum length of the queue at the inner gate will never exceed **<the number of blocked threads (running a method)> + 1** (the last thread allowed in through the outer gate).

In the typical (blocking) case, T1 blocks allowing T2 to run. T1 unblocks and eventually waits on the inner gate. T2 eventually completes and signals the inner gate. T1 now runs to completion. All of this happens regardless of the number of threads waiting at the outer gate – therefore, it gives priority to threads that are already running a method.

The algorithm below implements the modified model described above:

```
AmlExecuteControlMethod ()
  Acquire (Outer Lock)
  Acquire (Inner Lock) (Must acquire both locks to begin execution)
  Release (Outer Lock) (Allow one thread into the outer lock)
  If <the method does anything that might block>
    Check if it will block (such as wait on a semaphore with a zero timeout)
    If <we know or the method will block or still think that it might block>
      (such as sleep, acquire-no-units, wait-no-event, global lock not
      available, reached concurrency limit) - and perhaps before we dispatch to
      a user OpRegion or Notify handler)
      Release (Inner Lock)      (Allow another thread to begin execution of a
      method)
      Execute the blocking call (AcpiOsSleep, AcpiOsWaitSemaphore, etc.)
      Acquire (Inner Lock)      (Must re-enter the interpreter since we
      cannot preempt running thread!)
  Release (Inner Lock)      (Finished with this method, free the interpreter)
```

Note: It is not so important that the threads free the locks in **reverse** order as it is that they all unlock the locks **in the same order**. Since they are all executing the same code, this behavior is ensured.



While the simple multithreading model will be *sufficient*, the more complex model allows a more “fair” allocation of resources under heavy load. The outstanding question is whether there will ever be enough concurrent use of the AML interpreter to justify the complexity of the second model.

4.3.4 ACPI Global Lock Support

The ACPI *Global Lock* is intended to be a mutual exclusion mechanism that allows both the host operating system and the resident firmware to access common hardware and data structures. It is not intended to be a mutual exclusion mechanism between threads implemented by the host OS.

The one and **only** purpose of the Global Lock is to provide synchronization between the resident firmware (SMI BIOS, etc.) and all other software on the platform.

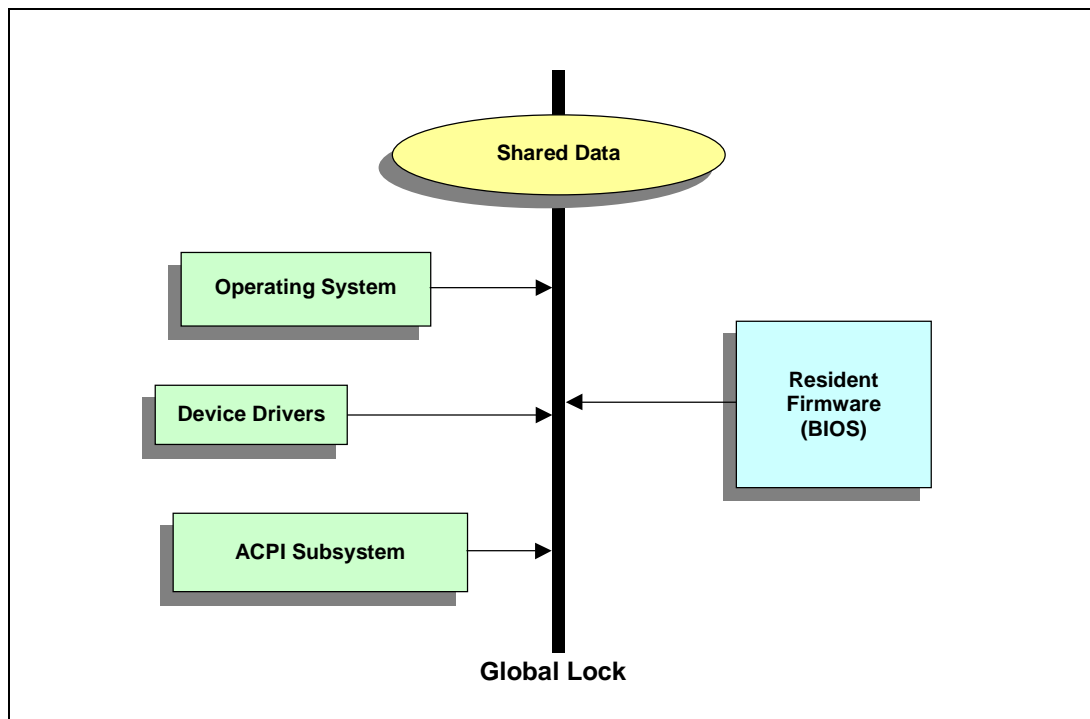
The ACPICA subsystem manages the global lock in the following manner:

- When the firmware owns the global lock, ACPICA queues up all requests to acquire the global lock.
- When the firmware releases the global lock, ACPICA satisfies all queued requests one at a time. A separate hardware acquire and release is performed for each thread that has requested the lock.

This algorithm prevents starvation of the global lock if many OS threads are requesting it. The BIOS has the opportunity to acquire the lock after each requesting thread releases it.

The diagram below shows the global lock in relation to the BIOS and other system software.

Figure 8. Global Lock Architecture





4.3.4.1 Obtaining The Global Lock

```

/* Only one thread can acquire the lock at a time */

Acquire the internal global lock mutex
If (AcquireHardwareGlobalLock())
{
    GlobalLockAquired = TRUE;
    return; /* All done! */
}

/* Must wait until the BIOS releases the lock and generates interrupt */

AmlExitInterpreter ();
AcpiOsWaitSemaphore (GlobalLockSemaphore, WAIT_FOREVER);
AmlEnterInterpreter ();

```

4.3.4.2 Releasing the Global Lock

```

If global lock is not acquired
    Error, return;

ReleaseHardwareGlobalLock ();
If Pending bit set
    Write the GBL_RLS bit to the control register

GlobalLockAquired = FALSE;
Release the internal global lock mutex

```

4.3.4.3 Global Lock Interrupt Handler

```

/* We get an SCI when the firmware releases the lock */

AcquireHardwareGlobalLock ()
If (Global Lock was acquired)
{
    GlobalLockAcquired = TRUE;
    AcpiOsSignalSemaphore (GlobalLockSemaphore);
}

```

4.3.5 Single Thread Environments

Both the design and implementation of the ACPICA Subsystem is targeted primarily for inclusion within the kernel of a multitasking operating system. However, it is possible to generate and operate the subsystem within a single threaded environment — with either a primitive operating system or loader, or even standalone with no additional system software other than a few device drivers.

The successful operation of the ACPICA in any environment depends upon the correct implementation of the OSL layer underneath it. This requirement is no different for a single threaded environment, but some special considerations must be made:

The primary mechanisms used for mutual exclusion and multithread synchronization throughout the ACPICA subsystem are the OSL *Spinlock*, *Mutex*, and *Semaphore*. Since these mechanisms are not required in a single threaded environment, it is sufficient to implement these interfaces to simply always return an AE_OK exception code.



When used within an OS kernel at ring 0, the ACPI debugger requires a dedicated thread to perform command line processing. Since this mechanism is not required in a single threaded environment, it can be configured out during generation of the subsystem.

4.4 General Purpose Event (GPE) Support

This section describes the initialization and use of the ACPI General Purpose Events.

4.4.1 Maximum Number of GPEs

The maximum number of FADT-described GPEs (in GPE block 0 and block 1) for any machine are constrained by the data types of the various GPE-related length fields in the FADT:

```
GPE0_BLK_LEN    /* Legacy GPE0 Block Length, in bytes */
GPE1_BLK_LEN    /* Legacy GPE1 Block Length, in bytes */
GPE1_BASE       /* Starting GPE number for GPE1 block */
X_GPE0_BLK      /* Extended descriptor for GPE0 block */
X_GPE1_BLK      /* Extended descriptor for GPE1 block */
```

The following sections describe these constraints in detail.

4.4.1.1 Extended (X) GPE Structure Limitations

The “extended” 64-bit address structures for the GPE0 and GPE1 blocks (X_GPE0_BLK and X_GPE1_BLK) within the FADT are insufficient for describing large numbers of GPEs, because the length field (**BitWidth**) of the generic address structure (GAS) is only a BYTE:

```
typedef struct acpi_generic_address
{
    UINT8      SpaceId;    /* Address space */
    UINT8     BitWidth;   /* Size in bits of given register */
    UINT8      BitOffset; /* Bit offset within the register */
    UINT8      AccessWidth; /* Minimum Access size (ACPI 3.0) */
    UINT64     Address;    /* 64-bit address of register */
} ACPI_GENERIC_ADDRESS;
```

Since the **BitWidth** is a BYTE, the maximum GPE register width is 255 bits – rounding down for 8-bit registers we have 248 bits. This number must be divided by two because each GPE requires two bits (enable and status), leaving $(248 / 2) = 124$ possible GPEs.

Since there can be both a GPE0 and GPE1 block, we have $(124 * 2) = 248$ possible GPEs maximum, using the extended GAS structures alone.

4.4.1.2 Legacy GPE Limitations

To describe more GPEs than the extended GAS structure(s), we must use the legacy GPE block lengths in the FADT, as shown below:



```

UINT8      Gpe0BlockLength;    /* Byte Length of ports at Gpe0Block */
UINT8      Gpe1BlockLength;    /* Byte Length of ports at Gpe1Block */
UINT8      Gpe1Base;          /* Where GPE block 1 numbers start */
    
```

For the GPE0/GPE1 block lengths, for each block we have 254 (0xFE) maximum possible registers (must be divisible by two), leaving $(254 / 2) = 127$ GPE register pairs (enable/status). Since there can be 8 GPEs per register pair, we have $(127 * 8) = \mathbf{1016}$ GPEs maximum (0 – 0x3F7).

More can be added GPEs via the GPE1 block, but the maximum number of GPEs are constrained by the **Gpe1Base**:

Since the **Gpe1Base** is a BYTE, the highest GPE number where GPE1 can begin is 0xFF (255). However, this block will have to start on an 8-bit register boundary, so we need to round down to the nearest boundary of 8, which is 0xF8 (248). This in turn would constrain the GPE0 block length to 248 individual GPEs (0 – 0xF7).

GPE1 could then add the full maximum of 1016 GPEs starting at GPE number 248 (0xF8).

This leaves us with a maximum of $(248 + 1016) = \mathbf{1264}$ individual GPEs (GPE numbers 0 – 0x4F6).

Figure 9. Maximum GPEs Using Block 0 Only

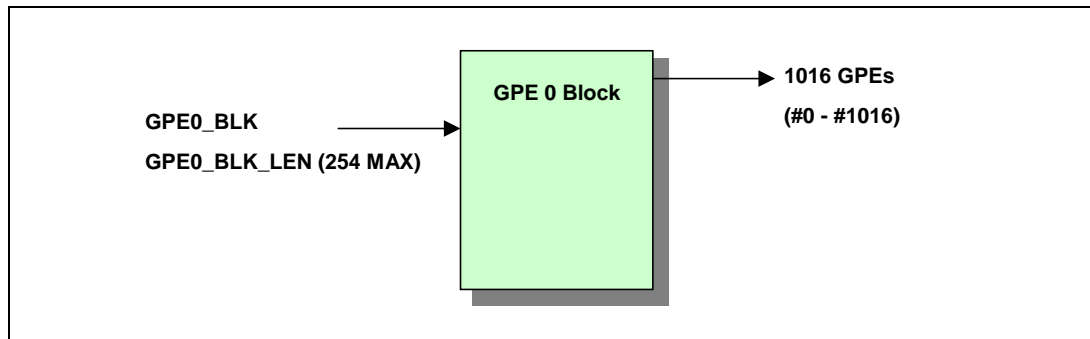
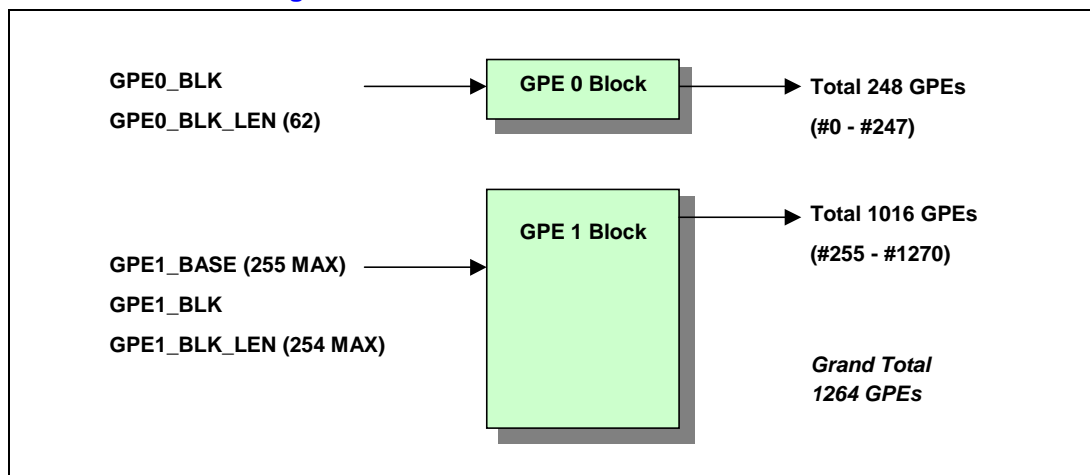


Figure 10. Maximum GPEs Using Block 0 and 1





4.4.1.3 ACPICA Implementation

According to the ACPI specification, although the 32-bit GPE block base addresses are optionally superseded by the 64-bit extended GAS structures, the actual legacy block lengths (GPE0_BLK_LEN and GPE1_BLK_LEN) are always required to be valid.

Therefore, in order to support the maximum number of GPEs, ACPICA **always** uses the GPE0_BLK_LEN and GPE1_BLK_LEN fields. This is regardless of whether the GPE register base address(es) are specified by the 32-bit legacy fields or the 64-bit extended GAS fields.

Thus, the following implications and conclusions for ACPICA:

- 1) The 64-bit GAS structure for a GPE block is only used if the corresponding legacy block address is zero (GPE0_BLK and GPE1_BLK)
- 2) The **BitWidth** fields of the GPE extended GAS structures are ignored, unless the corresponding legacy block length field happens to be zero. The legacy block length fields are used instead.
- 3) ACPICA thus supports a maximum of **1264** GPEs via the FADT-defined GPEs.
- 4) ACPICA also supports GPE Block Devices, which can essentially extend the maximum number of GPEs to an arbitrary value.

4.4.2 Runtime and Wake GPEs

The original definition of a “runtime” versus a “wake” GPE was as follows:

A **runtime** GPE is a GPE that is used for signaling while the system is up and running. Examples of these types of events include the Embedded Controller, thermal zones, and notebook lid switches.

A **wake** GPE is any GPE that is capable of waking the system from sleep/suspend. Examples of these types of events include a notebook lid switch, a serial port, USB ports and a power button. These GPEs are usually identified by being referenced by one or more _PRW methods (Power Resources for Wake.)

There are a limited number of GPEs that are defined by the ACPI specification as being both runtime and wake. Examples of these include lid switches and control method power buttons.

Recently, however, the line between runtime and wake GPEs has been blurred by various platforms. For example, on some platforms, a wake GPE can be used at runtime to indicate state changes for individual buses such as USB.

Partly because of these changes and because ACPICA will no longer execute _PRW methods on behalf of the host, ACPICA itself no longer attempts to differentiate between runtime and wake GPEs. This identification is left to the host and the individual device drivers as described in the following sections.



4.4.2.1 Execution of `_PRW` Methods

As of ACPICA version 20101209 (December 2010), the `_PRW` methods (Power Resources for Wake) are no longer automatically executed as part of the ACPICA initialization.

Originally (2000 – 2010), the ACPICA GPE initialization code performed a walk of the entire namespace to execute all discovered `_PRW` methods and thus detect all GPEs capable of waking the system.

As of December 2010, the `_PRW` method execution has been removed from ACPICA itself since it is actually unnecessary. The host OS must in fact execute all `_PRW` methods in order to identify the device and power-resource dependencies for its own power management subsystem. ACPICA now requires the host OS to identify the wake GPEs as part of this process and to inform ACPICA of these GPEs via the *AcpiSetWakeGpe* interface. This not only reduces the complexity of the ACPICA initialization code, but in many cases (on systems with large namespaces) it should reduce the kernel boot time as well since the `_PRW` methods are now only executed once, and an entire ACPI namespace walk/search is eliminated.

As the host executes the `_PRW` methods, it must inform ACPICA of the GPE associated with each `_PRW`, as well as the parent device associated with the `_PRW`.

4.4.2.2 Implicit Notify Support

This feature provides an automatic device notification for wake devices when a wakeup GPE occurs and there is no corresponding GPE method or handler. Rather than ignoring such a GPE, an implicit AML Notify operation is performed on the parent device object.

This feature is not part of the ACPI specification and is provided for Windows compatibility only.

The behavior of this feature is summarized below:

1. A Device has a `_PRW` method that associates it with a GPE
2. There is no method for the GPE in the ACPI namespace
3. No handler is installed for the GPE
4. When the GPE fires, a `Notify(2)` is performed on the original Device. The GPE is assumed to be level-triggered and the GPE is cleared after the `Notify` has been executed. `Notify(2)` is a `DEVICE_WAKE` notify.
5. Multiple devices are supported for the Implicit Notify feature. When the GPE fires, a notify is performed on all devices associated with the GPE. (See the description for the *AcpiSetupGpeForWake* interface.)

**Example:**

In this example, a Device named USB0 has a `_PRW` method that associates the device with wake GPE 07. However, there is no GPE method named `_L07` in the namespace.

```
Device (USB0)
{
    Name (_PRW, Package() {
        7,
        3
    })
}
```

Since there is no GPE method named `_L07` in the ACPI namespace, ACPICA automatically executes the code below on behalf of USB0 when GPE 7 fires:

```
Method (_L07)
{
    Notify (USB0, 2)
}
```

Note that the implicit notify feature only applies to GPEs that have a Device associated with them via a `_PRW` method.

4.4.3 Using the ACPICA GPE Support Code

This section describes the use of the ACPICA GPE support code in the following areas:

- 5) GPE initialization during the host OS startup
- 6) GPE Block Devices
- 7) GPEs and dynamically loaded ACPI tables
- 8) GPE handlers

4.4.3.1 Host OS Initialization

The Host operating system is expected to perform the following actions during system initialization:

The Host calls *AcpiEnableSubsystem*. During execution of this call, ACPICA initializes the FADT-defined GPE blocks 0 and 1, and finds all `_Lxx/_Exx` methods for the GPE 0/1 blocks (under `_GPE`).

Later, after the host has called *AcpiInitializeObjects*, the host then performs a namespace walk to identify and execute all `_PRW` methods.

For each `_PRW` method found in the ACPI namespace, the host calls *AcpiSetWakeGpe* to identify a possible wake GPE.

The host should install any GPE handlers at this time (See “GPE Handlers” below.)

After completion of the `_PRW` method execution phase, the host calls *AcpiUpdateAllGpes*. During this call, ACPICA completes the initialization of all GPEs and enables all of the “runtime” GPEs. The only GPEs that are enabled directly by ACPICA are those GPEs that have an associated `_Lxx/_Exx` method. For GPEs that have handlers, the host is responsible for enabling them.



Before the system sleeps, the host calls *AcpiSetGpeWakeMask* for every GPE that is to be allowed to wake the system. The actual GPEs to be enabled for wake depends on the system configuration and the ACPI-related drivers that are loaded.

4.4.3.2 GPE Handlers

By default, ACPICA will enable at runtime any GPE that has an associated *_Lxx/_Exx* GPE method (during the execution of the *AcpiUpdateAllGpes* interface.)

The GPE handler mechanism enables host GPE processing for GPEs that do not have an associated GPE method (for example, the GPE associated with the Embedded Controller) or any other GPE. If there is a method associated with a GPE, an installed handler for the GPE takes precedence. The method is no longer executed after a handler is installed.

During host OS initialization or when a new GPE is detected via a GPE Block Device or a dynamic table load, the host may install handlers for individual GPEs via the *AcpiInstallGpeHandler* interface. Also, the host may install a single global handler that is invoked for all GPEs and Fixed Events by using the *AcpiInstallGlobalEventHandler* interface.

Once a handler is installed for a particular GPE, the host is responsible for enabling the GPE (via the *AcpiEnableGpe* interface) and disabling the GPE if necessary via *AcpiDisableGpe*.

Both *AcpiEnableGpe* and *AcpiDisableGpe* implement a reference count mechanism that allows for transparent sharing of runtime GPEs.

Any GPE handlers should be installed during the initialization phase anytime after *AcpiEnableSubsystem* has been called, but before the required call to *AcpiUpdateAllGpes*.

ACPICA supports two types of types of GPE handlers, Normal and Raw.

4.4.3.2.1 Normal GPE Handler Execution

The basic GPE handler execution model is as follows: First, the GPE is disabled. If edge-triggered the GPE is cleared. Next, the handler is invoked, at interrupt level. At completion of the GPE handler processing, the GPE is cleared if it was level-triggered and then re-enabled.

Normal GPE handlers can be used in on of two ways:

1. A simple, synchronous handler that performs some GPE processing and immediately returns to the invoking ACPICA code. Note that this handler is invoked at interrupt level and thus its capabilities are limited.
2. A more complex handler that performs some asynchronous processing via a thread that is signaled from the synchronous part of the handler.

Simple Handler (synchronous): The handler should return the value **ACPI_REENABLE_GPE**. In response, ACPICA will immediately call the internal version of *AcpiFinishGpe* in order to clear and reenble the GPE.

Complex Handler (with asynchronous part): The synchronous part of the handler performs some limited processing and then signals the asynchronous part via a host-dependent mechanism and returns to ACPICA. After the GPE has been completely processed by the asynchronous part of the handler (at some later time), the handler calls *AcpiFinishGpe* to clear and reenble the GPE.

Note that in the case of the simple handler, ACPICA will automatically finish the GPE by clearing the GPE status bit (if the GPE is level-triggered) and reenabling the GPE because ACPICA knows



that the GPE processing is complete. In the asynchronous/complex case, the GPE handler must tell ACPICA that the GPE processing is complete by invoking the *AcpiFinishGpe* interface.

4.4.3.2 Raw GPE Handler Execution

In order to protect against GPE storms some device handlers, like the EC, may require the ability to disable a GPE in order to defer completion to a polling routine. Under these conditions a raw handler may be installed for the GPE. While raw handlers still run in interrupt context, they are not executed with a GPE lock, thereby allowing the handler to disable and re-enable the GPE as needed in order to manage the event.

When using raw handlers, disabling, clearing, and re-enabling the GPE are the responsibility of the handler. To ensure proper servicing of the GPE in this mode, the following must be observed:

1. The handler must use its own lock to protect the data structures and registers accessed by the GPE API's.
2. If the handler is to service a shared GPE, it must manage reference counting for the multiple devices sharing the GPE. It should still however invoke *AcpiEnableGpe()* for the first reference and *AcpiDisableGpe()* for the last dereference.
3. While servicing a GPE, if it's necessary to temporarily disable the GPE to prevent or manage an interrupt storm, the *AcpiSetGpe()* API should be used instead of *AcpiEnableGpe()* / *AcpiDisableGpe()*. This API bypasses the reference counting mechanism and prevents inadvertent clearing of the GPE should the count reach 0.
4. The GPE should be cleared before handling of the event for edge-triggered GPE's, and after handling the event for level-triggered GPE's.

4.4.3.3 Load and LoadTable ASL/AML Operators

During execution of a control method that contains a Load or LoadTable operator, ACPICA locates the new ACPI table and installs the table into the namespace. It also finds any new *_Lxx/_Exx* GPE methods that may exist with the new table.

ACPICA notifies the host that a new table has been loaded by invoking the global Table Handler. The host installs this handler during system initialization via the *AcpiInstallTableHandler* interface.

From the host-installed Table Handler, the host must identify and execute any newly-loaded *_PRW* methods, and call *AcpiSetWakeGpe* for any GPEs that are identified as possible wake GPEs.

After completion of the *_PRW* execution, the host calls *AcpiUpdateAllGpes* to enable any GPEs that now have associated *_Lxx/_Exx* GPE methods that were discovered within the loaded table.

4.4.3.4 GPE Block Devices

A GPE Block Device is indicated by a device object within the ACPI namespace with a PNP ID of “**ACPI0006**”. Typically, once such a device is detected, a host-specific GPE Block Device Driver will be loaded and will perform the following actions:

The Host calls *AcpiInstallGpeBlock*. During execution of this call, ACPICA installs and initializes the GPEs associated with the GPE Block Device and finds all *_Lxx/_Exx* methods for the block.

The Host must identify any *_PRW* methods associated with individual GPEs within the GPE Block Device, and call *AcpiSetWakeGpe* for each possible wake GPE.



After completion of the GPE Block Device installation and `_PRW` method execution, the host calls `AcpiUpdateAllGpes` to enable any new runtime GPEs associated with the new GPE block.

Again, before the system sleeps, the host calls `AcpiSetGpeWakeMask` for every GPE that is to be allowed to wake the system. The actual GPEs to be enabled for wake depends on the system configuration and the ACPI-related drivers that are loaded.

4.5 Miscellaneous ACPICA Behavior

4.5.1 Why ACPICA Cannot Use C Bitfields

The ACPICA code is written in ANSI C, and strives to be as portable as possible in order to support and integrate into any host operating system that requires ACPI support.

To this end, the ACPICA code and ACPICA header files purposely and explicitly avoid the use of C bitfields, for the reason summarized by the quote below:

*“Bitfields are great and easy to read, but unfortunately **the C language does not specify the layout of bitfields in memory**, which means that they are essentially useless for dealing with packed data in on-disk formats or binary wire protocols.”*

“If you ask me, this decision was a design error in C – Ritchie could have picked an order and stuck with it”

Quote used with permission from Norman Ramsey. For more information, see: <http://stackoverflow.com/a/1053662/41661>

In addition, there are endian considerations where a compiler will change the memory layout of bitfields based on whether the target is little-endian or big-endian.

These problems with bitfields applies to ACPI tables acquired from the platform BIOS/firmware (flags fields, etc.) as well as bit-packed buffers returned from predefined ACPI names such as `_PLD`.

Therefore, in lieu of using bitfields, the ACPICA headers supply public bit/flag definitions, masks, and macros to both get and set bits as appropriate. This support is available to both the ACPICA code itself, and ACPI consumers such as ACPI-related device drivers.

4.5.2 Dynamically Loaded ACPI Tables

Additional ACPI tables may be loaded from ASL code via the following methods:

1. **ASL Load operator**: This operator will load an ACPI table directly from an Operation Region, Operation Region Field, or a Buffer. Although the ACPI specification states that the loaded table should be of type SSDT, ACPICA will not check the signature of the loaded table. Objects are loaded into the namespace relative to the namespace root. This is compatible with other ACPI implementations.
2. **ASL LoadTable operator**: This operator will load an ACPI table that is present in the RSDT/XSDT. Since all SSDTs within the RSDT/XSDT are loaded automatically at initialization time, this table must have a signature other than SSDT – typically OEMx.



3. *AcpiLoadTable* interface: The host can call this interface to load an SSDT from a buffer. Primarily intended for hot-plug support.

Regardless of where the table originates, the following actions are performed on behalf of the newly loaded table before the **Load** or **LoadTable** operator or *AcpiLoadTable* interface completes execution:

- Any module-level code (executable AML code not within any control method) within the table is executed.
- Any and all **_PRW** methods within the table are executed in order to discover any GPEs that must now be marked as wakeup GPEs.
- Any new **_Lxx/_Exx** GPE methods within the table are registered with their corresponding GPE. If the referenced GPE is a runtime GPE and is not currently enabled, it is enabled immediately. This behavior applies to both the FADT-defined GPE blocks (0 and 1) and any GPE Block Devices.

4.5.3 Bus Master Arbitration (ARB_DIS)

Management of bus master arbitration (via the **ARB_DIS** bit in the optional **PM2_CNT** ACPI register) must be implemented in the host-dependent C3 processor power state support. Note, **ARB_DIS** is obsolete and only applies to older chipsets, both Intel and other vendors (for Intel, ICH4-M and earlier).

To disable BM arbitration, set the **ARB_DIS** bit as follows:

```
Status = AcpiWriteBitRegister (ACPI_BITREG_ARB_DISABLE, 1);
```

To enable BM arbitration, clear the **ARB_DIS** bit as follows:

```
Status = AcpiWriteBitRegister (ACPI_BITREG_ARB_DISABLE, 0);
```

Note: If the **PM2_CNT** register is not supported on the platform, the **AE_BAD_ADDRESS** exception will be returned.



5 ACPICA Subsystem Features

5.1 ACPI 5.0 Support

The ACPI 5.0 specification was released in November, 2011. ACPICA contains a full implementation of ACPI 5.0, as summarized below.

5.1.1 Reduced Hardware Platforms

Reduced hardware platforms are defined in ACPI 5.0 and refer to ACPI systems without the usual ACPI hardware. There are two ways in which the reduced hardware platforms are supported by ACPICA:

- 1) A runtime configuration feature that dynamically disables all ACPI hardware access code whenever the **HW_REDUCED_ACPI** flag is found to be set in the FADT.
- 2) A compile-time option to entirely remove the ACPI hardware support code from the ACPICA subsystem. This option is primarily intended for custom builds of host operating systems where the target platform is known to support ACPI in the reduced hardware mode.

5.1.1.1 Runtime Reduced Hardware Support

This feature automatically supports reduced hardware platforms without any code changes. The reduced hardware support is dynamically enabled via the **HW_REDUCED_ACPI** flag in the revision 5 FADT. If this flag is set, ACPICA will not attempt to initialize or use any of the usual ACPI hardware. Note, when this flag is set, *all* of the following ACPI hardware is assumed to be not present and is not initialized or accessed:

- General Purpose Events (GPEs)
- Fixed Events (PM1a/PM1b and PM Control)
- Power Management Timer and Console Buttons (power/sleep)
- Real-time Clock Alarm
- Global Lock
- System Control Interrupt (SCI)
- The FACS is assumed to be non-existent

5.1.1.2 Compile-Time Reduced Hardware Support

This option is used during the build/compile of the ACPICA subsystem. It disables the compilation of all code related to the hardware in the previous section. When the **ACPI_REDUCED_HARDWARE** option is specified during the build, all ACPI hardware-related code is omitted from the source code generation, resulting in a considerable savings of both code and data. The affected external interfaces are stubbed, however, and will return a status value of **AE_NOT_CONFIGURED**. The affected external interfaces are shown below:

```
AcpiInstallSciHandler
AcpiRemoveSciHandler
AcpiInstallGlobalEventHandler
AcpiInstallFixedEventHandler
AcpiRemoveFixedEventHandler
```




```
AcpiInstallGpeHandler
AcpiRemoveGpeHandler
AcpiAcquireGlobalLock
AcpiReleaseGlobalLock
AcpiEnable
AcpiDisable
AcpiEnableEvent
AcpiDisableEvent
AcpiClearEvent
AcpiGetEventStatus
AcpiUpdateAllGpes
AcpiEnableGpe
AcpiDisableGpe
AcpiSetGpe
AcpiSetupGpeForWake
AcpiSetGpeWakeMask
AcpiClearGpe
AcpiGetGpeStatus
AcpiFinishGpe
AcpiDisableAllGpes
AcpiEnableAllRuntimeGpes
AcpiInstallGpeBlock
AcpiRemoveGpeBlock
AcpiGetGpeDevice
AcpiGetTimerResolution
AcpiGetTimer
AcpiGetTimerDuration
AcpiReadBitRegister
AcpiWriteBitRegister
AcpiSetFirmwareWakingVector
AcpiSetFirmwareWakingVector64
AcpiEnterSleepStateS4bios
```

5.1.2 New and Existing ACPI Tables

All new tables and updates to existing tables are fully supported in the ACPICA headers (for use by device drivers), the disassembler, and the iASL Data Table Compiler. Note: ACPICA itself consumes none of these tables since they do not contain AML byte code. ACPI 5.0 defines these new tables:

BGRT	<i>/* Boot Graphics Resource Table */</i>
DRTM	<i>/* Dynamic Root of Trust for Measurement table */</i>
FPDT	<i>/* Firmware Performance Data Table */</i>
GTDT	<i>/* Generic Timer Description Table */</i>
MPST	<i>/* Memory Power State Table */</i>
PCCT	<i>/* Platform Communications Channel Table */</i>
PMTT	<i>/* Platform Memory Topology Table */</i>
RASF	<i>/* RAS Feature table */</i>

5.1.3 Operation Regions and Space IDs

All new operation regions are fully supported by the iASL compiler, the disassembler, and the ACPICA runtime code (for dispatch to region handlers.) The new operation region Space IDs are:

```
GeneralPurposeIo
GenericSerialBus
```



5.1.4 Resource Descriptors

All new ASL resource descriptors are fully supported by the iASL compiler, the ASL/AML disassembler, and the ACPICA runtime Resource Manager code (including all new predefined resource tags). The new descriptors are:

```
FixedDma
GpioIo
GpioInt
I2cSerialBus
SpiSerialBus
UartSerialBus
```

5.1.5 ASL/AML Support

One new operator is added, the Connection operator, which is used to associate a GeneralPurposeIo or GenericSerialBus resource descriptor with individual field objects within an operation region. Several new protocols are associated with the AccessAs operator. All are fully supported by the iASL compiler, disassembler, and runtime ACPICA AML interpreter:

```
Connection                               /* Declare Field Connection attributes */
AccessAs: AttribBytes (n)                 /* Read/Write N-Bytes Protocol */
AccessAs: AttribRawBytes (n)             /* Raw Read/Write N-Bytes Protocol */
AccessAs: AttribRawProcessBytes (n)     /* Raw Process Call Protocol */
RawDataBuffer                             /* Data type for Vendor Data fields */
```

5.1.6 Predefined ACPI Names

All new predefined objects/control-methods are supported by the iASL compiler and the ACPICA runtime validation/repair (arguments and return values.) New predefined names include the following:

Standard Predefined Names (Objects or Control Methods): _AEI, _CLS, _CPC, _CWS, _DEP, _DLM, _EVT, _GCP, _CRT, _GWS, _HRV, _PRE, _PSE, _SRT, _SUB.

Resource Tags (Names used to access individual fields within resource descriptors): _DBT, _DPL, _DRS, _END, _FLC, _IOR, _LIN, _MOD, _PAR, _PHA, _PIN, _PPI, _POL, _RXL, _SLV, _SPE, _STB, _TXL, _VEN.



5.1.7 ACPICA External Interfaces

Some existing interfaces have been modified and several new interfaces have been defined for use by ACPI-related device drivers and other host OS services:

AcpiAcquireMutex and *AcpiReleaseMutex*: These interfaces allow the host OS to acquire and release AML mutexes that are defined in the DSDT/SSDT tables provided by the BIOS. They are intended to be used in conjunction with the ACPI 5.0 **_DLM** (Device Lock Method) in order to provide transaction-level mutual exclusion with the AML code/interpreter. See sections 8.3.15 and 8.3.16 for the full definition of these interfaces. See the ACPI specification for more details concerning **_DLM**.

Operation Region Handlers: For General Purpose IO and Generic Serial Bus operation regions, information about the Connection() object and any optional length information is passed to the region handler within the Context parameter. See section 8.8.6.4 for more information.

AcpiGetEventResources: New interface that returns the (formatted) resource descriptors as defined by the ACPI 5.0 **_AEI** object (ACPI Event Information). This object provides resource descriptors associated with hardware-reduced platform events, similar to the *AcpiGetCurrentResources* interface. See section 8.9.4 for the full definition of this interface. See the ACPI specification for more details concerning **_AEI**.

AcpiBufferToResource: New interface that converts a raw AML buffer containing a resource template or resource descriptor to the ACPI_RESOURCE internal format suitable for use by device drivers. Can be used by an operation region handler to convert the Connection() buffer object into a ACPI_RESOURCE.

5.1.8 Miscellaneous and Tools

Support for extended **_HID** names (Four alpha characters instead of three).

Support for ACPI 5.0 features in the AcpiExec and AcpiHelp utilities.

Support for ACPI 5.0 features in the ASLTS test suite.

Fully updated documentation (ACPICA and iASL reference documents.)

5.1.9 ACPI Table Definition Language

Support for this language was implemented and released as a subsystem of the iASL compiler in 2010 (See the iASL compiler User Guide).



5.1.10 GPIO Event Model for ACPICA

Events that are generated via GPIO hardware represent a major departure from the standard ACPI event handling and dispatch. To support GPIO events, ACPICA has adopted this model for use by the host operating system:

Host Initialization

1. During initialization, the host performs a scan of the namespace to detect devices and **_HIDs**.
2. When the host detects one or more GPIO **_HIDs**, the native GPIO device driver is loaded.

Native GPIO device driver initialization

3. Call *AcpiGetEventResources* which will in turn execute the **_AEI** object that appears under the GPIO device in the namespace. This object provides the interrupt or interrupts that are used for GPIO events via GPIO Interrupt Connection descriptors.
4. Install interrupt handler(s) for the interrupts defined by **_AEI**.
5. Execute **_CRS**, etc. for other required resources.

Native GPIO device driver execution

6. When the GPIO driver interrupt handler is invoked in response to a GPIO-generated event, the driver handles the interrupt according to its level/edge mode and invokes the **_EVT** method that appears under the GPIO device. The GPIO pin number is passed to **_EVT** to identify the source of the event.
7. The **_EVT** method will decode the pin number and perform a *Notify()* operation on the appropriate device. This is very similar to the operation of the standard GPE control methods (**_Lxx/_Exx**).
8. The notify handler in the driver for the particular device then performs device-specific actions as necessary.

5.2 AML Interpreter Slack Mode

When enabled, this mode provides better compatibility with other existing ACPI implementation(s) by ignoring certain errors and improper AML sequences. It also enables the *Implicit Return* feature.

Implicit Return Value: This feature will automatically return the result of the last AML operation in a control method, in the absence of an explicit `Return()` operator. Since other ACPI implementations have implemented this feature by default, there are many existing machines whose ASL/AML depends on this behavior.

Operation Region Range Checking: Allow access beyond the end of of a region. The default behavior is to strictly limit access to the end of the operation region. Typically, access beyond the end of the region occurs when the access data width causes the overrun. For example, a one-byte operation region and a field with `DWORD` access. Normally, access to the field will cause an error. This option will allow the access to continue.

Uninitialized Method Locals and Arguments: Allow access to uninitialized Locals and Arguments as if they were initialized to an Integer object with a value of zero. If this feature is not enabled, an error is generated an the method is aborted.



Source Operand Types for Store Operator: Allow objects of any type to be the source for the ASL/AML Store operator. The ACPI specification restricts the source operand to be one of a subset of the available ACPI object types. This option overrides the ACPI specification and allows source operands of any type.

Unresolved References within Packages: Allow references within Package objects to go unresolved with no error or warning. A NULL package element is inserted instead. This is another compatibility issue with other AML interpreters, and there are existing machines that depend on this feature.

5.3 AML Interpreter Math Mode (32-bit or 64-bit)

The integer size used by the AML interpreter is variable and is dynamically set via the DSDT that is loaded. For ACPI 1.0 DSDTs with a version number of 1, the integer width used is always 32 bits for backward compatibility. For ACPI 2.0 and later DSDTs with a version number larger than 1, full 64-bit integer math is used.

5.4 Predefined Control Method Validation

For the predefined control methods (methods that are defined in the ACPI specification and whose names begin with a single underscore), the ACPICA subsystem performs a validation on the return value, if any. There are over 230 such predefined ACPI names.

The input number of arguments and the type of the return object is validated against the ACPI specification. If the method returns a package, the length of the package as well as the individual elements of the package are validated. A warning message is issued if there are any problems found.

This feature is useful in finding problems with objects returned by BIOS AML code immediately upon execution of the method – before the ACPI-related device drivers run into them.

5.5 I/O Port Protection

The ACPICA subsystem protects certain I/O ports from access via the AML code. Some ports are always illegal, and some ports are illegal based upon the strings that the BIOS has requested via the `_OSI` predefined control method. When an I/O request is made to a blocked port, the `AE_AML_ILLEGAL_ADDRESS` exception is returned.



The current list of protected ports is as follows:

```
{ "DMA",      0x0000, 0x000F, ACPI_OSI_WIN_XP},      /* DMA controller 1 */
{ "PIC0",     0x0020, 0x0021, ACPI_ALWAYS_ILLEGAL}, /* Interrupt Controller */
{ "PIT1",     0x0040, 0x0043, ACPI_OSI_WIN_XP},      /* System Timer 1 */
{ "PIT2",     0x0048, 0x004B, ACPI_OSI_WIN_XP},      /* System Timer 2 failsafe */
{ "RTC",      0x0070, 0x0071, ACPI_OSI_WIN_XP},      /* Real-time clock */
{ "CMOS",     0x0074, 0x0076, ACPI_OSI_WIN_XP},      /* Extended CMOS */
{ "DMA1",     0x0081, 0x0083, ACPI_OSI_WIN_XP},      /* DMA 1 page registers */
{ "DMA1L",   0x0087, 0x0087, ACPI_OSI_WIN_XP},      /* DMA 1 Ch 0 low page */
{ "DMA2",     0x0089, 0x008B, ACPI_OSI_WIN_XP},      /* DMA 2 Ch 2 low page */
{ "DMA2L",   0x008F, 0x008F, ACPI_OSI_WIN_XP},      /* DMA 2 low page refresh */
{ "ARBC",    0x0090, 0x0091, ACPI_OSI_WIN_XP},      /* Arbitration control */
{ "SETUP",   0x0093, 0x0094, ACPI_OSI_WIN_XP},      /* System board setup */
{ "POS",     0x0096, 0x0097, ACPI_OSI_WIN_XP},      /* POS channel select */
{ "PIC1",    0x00A0, 0x00A1, ACPI_ALWAYS_ILLEGAL}, /* Cascaded PIC */
{ "IDMA",    0x00C0, 0x00DF, ACPI_OSI_WIN_XP},      /* ISA DMA */
{ "ELCR",    0x04D0, 0x04D1, ACPI_ALWAYS_ILLEGAL}, /* PIC edge/level registers */
{ "PCI",     0x0CF8, 0x0CFF, ACPI_OSI_WIN_XP}      /* PCI configuration space */
```

ACPI_ALWAYS_ILLEGAL: These ports are always blocked.

ACPI_OSI_WIN_XP: These ports are legal unless the BIOS AML has invoked **_OSI** with the XP string "Windows 2001" or any Windows string representing a release of Windows later than XP. Performed for Windows compatibility, this means that these ports are illegal on most modern x86 machines.

5.6 Debugging Support

Two styles of debugging are supported with the debugging tools available with the ACPICA Subsystem:

1. Extraordinary amounts of trace and debug output can be generated from debug output and trace statements that are embedded in the debug version of the ACPICA subsystem. This data can be used to track down problems after the fact. So much data can be generated that the debug output can be selectively enabled on a per-subcomponent basis and even a finer granularity of the type of debug statement can be selected.
2. An AML debugger is provided that has the ability to single step control methods to examine the results of individual AML opcodes, and to change the values of local variables and method arguments if necessary.

5.6.1 Error and Warning Messages

There are several macros used throughout the ACPICA subsystem to format and print error and warning messages. In addition to the input message, each of these macros automatically print the module name, line number, and current ACPICA version number.

These macros are conditionally compiled and can be removed if desired by defining **ACPI_NO_ERROR_MESSAGES** during subsystem compilation. However, they are used only for serious issues in order to limit their overhead.

ACPI_ERROR – Displays an error message.

ACPI_EXCEPTION – Displays an error message with a decoded **ACPI_STATUS** exception.

ACPI_WARNING – Displays a warning message.



ACPI_INFO – Information message only.

The current statistics for the use of these macros within the ACPICA source are approximately as follows:

ACPI_ERROR	310 invocations
ACPI_EXCEPTION	80 invocations
ACPI_WARNING	40 invocations
ACPI_INFO	20 invocations

Also, if **ACPI_NO_ERROR_MESSAGES** is defined, the module that formats and displays output from the AML Debug Object is configured out completely.

5.6.2 Execution Debug Output (ACPI_DEBUG_PRINT Macro)

The **ACPI_DEBUG_PRINT** macro is used throughout the source code of the ACPICA Subsystem to selectively print debug messages. Over 400 invocations of the **ACPI_DEBUG_PRINT** are scattered throughout the ACPICA subsystem source. This macro is compiled out entirely for non-debug versions of the subsystem.

Output from **ACPI_DEBUG_PRINT** can be enabled at two levels: on a per-subcomponent level (Namespace manager, Parser, Interpreter, etc.), and on a per-type level (informational, warnings, errors, and more.) There are two global variables that set these output levels:

1. **AcpiDbgLayer** Bit field that enables/disables debug output from entire subcomponents within the ACPICA subsystem.
2. **AcpiDbgLevel** Bit field that enables/disables the various debug output levels

The example below shows some of the debug output from a namespace search. None of the output of the function tracing is shown here, but the enter/exit traces would appear interspersed with the other debug output.

```
Nsutils-0346:  NsInternalizedName:  returning [00821F30] (abs) "\BITZ"  
nsaccess-0424:  NsLookup:  Searching from root [007F09B4]  
nsaccess-0477:  NsLookup:  Multi Name (1 Segments, Flags=0)  
nsaccess-0494:  NsLookup:  [BITZ/]  
nssearch-0166:  NsSearchOnly:  Searching \/  
nssearch-0168:  NsSearchOnly:  For BITZ (type 0)  
nssearch-0239:  NsSearchOnly:  Name BITZ (actual type 8) found at 007FC384  
nseval-0302:   NsEvaluateByName:  \BITZ [007FC384] Value 007FE0C0
```

5.6.3 Function Tracing (ACPI_FUNCTION_TRACE Macro)

Most of the functions within the subsystem use the **ACPI_FUNCTION_TRACE** macro upon entry and the **return ACPI_STATUS** macro upon exit. For the debug version of the subsystem, if the function trace debug level is enabled, the **ACPI_FUNCTION_TRACE** macro displays the name of the module and function and the current call nesting level. Upon exit, the **return ACPI_STATUS** macro again displays the name of the function, the call nesting level, and the return status code of the call.

The next few lines show examples of the function tracing. On each invocation of the **ACPI_FUNCTION_TRACE** macro, we see the module name and line number, followed by the call nesting level (2 digits), followed by the name of the actual procedure entered. Some versions of the **ACPI_FUNCTION_TRACE** macro allow one of the function parameters to be displayed as well.



```

Executing \BITZ
nsobject-0356 [07] NsGetAttachedObject : ----Entry 004A2CC8
nsobject-0373 [07] NsGetAttachedObject : ----Exit- 004A2728
dswscope-0186 [07] DsScopeStackPush : ----Entry
  utalloc-0235 [07] UtAcquireFromCache : 004A1DC8 from State Cache
  utmisc-0711 [08] UtPushGenericState : ----Entry
  utmisc-0719 [08] UtPushGenericState : ----Exit-
dswscope-0223 [07] DsScopeStackPush : ----Exit- AE_OK
dsmthdat-0274 [07] DsMethodDataInitArgs : ----Entry 004A1438
dsmthdat-0655 [08] DsStoreObjectToLocal : ----Entry
dsmthdat-0657 [08] DsStoreObjectToLocal : Opcode=104 Idx=0 Obj=004A2F08

```

The function entry and exit macros have the ability to generate huge amounts of output data. However, this is often the best way to determine the actual execution path taken by subsystem. If the problem being debugged can be narrowed to a single control method, tracing can be enabled for that method only, thus reducing the amount of debug data generated.

5.6.4 ACPICA Debugger

Provided as a subcomponent of the ACPICA Subsystem, the AML Debugger provides the capability to display subsystem data structures and objects (such as the namespace and associated internal object), and to debug the execution of control methods (including single step and breakpoint support.) By using only two OSL interfaces, *AcpiOsGetLine* for input and *AcpiOsPrint* for output, the debugger can operate standalone or as an extension to a host debugger.

The debugger provides a more active debugging environment where data can be examined and altered during the execution of control methods.

5.7 Environmental Support Requirements

This section describes the environmental requirements of the ACPICA subsystem. This includes the external functions and header files that the subsystem uses, as well as the resources that are consumed from the host operating system.

5.7.1 Resource Requirements

Static Memory – example Code and Data Size: These are the sizes for the OS-independent *acpica.lib* produced by the Microsoft Visual C++ 9.0 32-bit compiler. The debug version of the code includes the debug output trace mechanism and has a much larger code and data size.

```

Non-Debug Version:  92.0K Code, 24.8K Data, 116.8K Total
Debug Version:     170.3K Code, 72.3K Data, 242.6K Total

```

Dynamic Memory: The size of the internal ACPI namespace is dependent on the size of the loaded ACPI tables – DSDT and any SSDTs – and the number of named ACPI objects they create at table load time. All resources used during control method execution are freed at control method termination.

5.7.2 C Library Functions

In order to make the ACPICA Subsystem as portable and truly OS-independent as possible, there is only extremely limited use of standard C library functions within the Subsystem component itself.



The calls are limited to those that can generate code in-line or link to small, independent code modules. Below is a comprehensive list of the C library functions that are used by the Subsystem code.

Table 1. C Library Functions Used within the Subsystem

isalpha
isdigit
isprint
isspace
isupper
isxdigit
memcmp
memcpy
memset
strcat
strcmp
strcpy
strlen
strncat
strncmp
strncpy
strstr
strtoul
strupr
tolower
toupper
va_end
va_list
va_start

If **ACPI_USE_SYSTEM_CLIBRARY** is defined during the compilation of the subsystem, the subsystem must be linked to a local C library to resolve these C lib references. If **ACPI_USE_SYSTEM_CLIBRARY** is not set, the subsystem will automatically link to local implementations of these functions. Note that the local implementations are written in portable ANSI C, and may not be as efficient as local assembly code implementations of the same functions. Therefore, it is recommended that the local versions of the C library functions be used if at all possible.



5.7.3 Source Code Organization

The ACPICA source code as released is organized as below. At the top level, there are separate directories for the ACPICA documentation, generation tools, and the actual C source code. The source code itself is organized into a separate directory for each major ACPICA component, tool, or test.

```

Acpica
  documents                // Acpica/iASL documentation
  generate                 // Source generation tools:
    lint                   // PC-lint files
    linux                  // Linux makefiles
    msvc                   // Microsoft VC++ 6.0 makefiles(obsolete)
    msvc9                  // Microsoft VC++ 9.0 makefiles
    release                 // Release utilities
    unix                   // Generic Unix/gcc makefiles
  source                   // Entire ACPICA source code tree:
    common                 // Common files
    compiler               // iASL compiler
    components             // Main ACPICA components:
      debugger             // AML Debugger
      disassembler        // AML Disassembler
      dispatcher          // AML Interpreter dispatcher
      events               // ACPI Event Manager (GPEs etc.)
      executer            // Main AML Interpreter
      hardware             // ACPI Hardware Manager
      namespace            // ACPI Namespace Manager
      parser               // AML Interpreter parser
      resources            // ACPI Resource Manager
      tables               // ACPI Table Manager
      utilities            // Miscellaneous utilities
    include                // Most ACPICA includes
      platform            // Platform-specific files
    os_specific            // OS-specific files
      service_layers      // Various OSLs
    tools                  // ACPICA tools/utilities:
      acpibin              // Binary file utility
      acpiexec             // ACPI user space executer
      acpihelp             // ACPI help utility
      acpinames            // Example namespace dump utility
      acpisc               // Source translation utility
      acpixtract           // Table extraction utility
      examples             // ACPICA example code
  tests                   // ACPICA test suites:
    aapits                 // ACPICA interface tests
    aslts                  // ASL test suite
    misc                   // Miscellaneous ASL tests
    templates              // iASL table template generation tests

```



5.7.4 System Include Files

The following include files (header files) are useful for users of both the **Acpi*** and **AcpiOs*** interfaces:

- `acpi.h` Includes all of the files below.
- `acexcep.h` The `ACPI_STATUS` exception codes
- `acpiosxf.h` The prototypes for all of the **AcpiOs*** interfaces
- `acpixf.h` The prototypes for all of the **Acpi*** interfaces
- `actypes.h` Common data types used across all interfaces

5.7.4.1 Customization to the Target Environment

The use of header files that are external to the ACPICA subsystem is confined to a single header file named `acenv.h`. These external include files are used only if the following symbols are defined:

- `ACPI_USE_SYSTEM_CLIBRARY`
- `ACPI_USE_STANDARD_HEADERS`

Several of the standard C library headers are used:

- `stdarg.h`
- `stdlib.h`
- `string.h`
- `ctype.h`

When generating the ACPICA Subsystem component from source, the `acenv.h` header may be modified if the filenames above are not appropriate for generation on the target system. For example, some environments use a different set of header files for the kernel-level C library versus the user-level C library. Use of C library routines within the Subsystem component has been kept to a minimum in order to enhance portability and to ensure that the Subsystem will run as a kernel-level component in most operating systems.



6 Data Types and Interface Parameters

6.1 ACPICA Interface Parameters

6.1.1 ACPI Names and Pathnames

As defined in the ACPI Specification, all ACPI object *names* (the names for all ACPI objects such as control methods, regions, buffers, packages, etc.) are exactly four ASCII characters long. The ASL compiler automatically pads names out to four characters if an input name in the ASL source is shorter. (The padding character is the underscore.) Since all ACPI names are always of a fixed length, they can be stored in a single 32-bit integer to simplify their use.

Pathnames are null-terminated ASCII strings that reference named objects in the ACPI namespace. A pathname can be composed of multiple 4-character ACPI names separated by a period. In addition, two special characters are defined. The backslash appearing at the start of a pathname indicates to begin the search at the root of the namespace. A carat in the pathname directs the search to traverse upwards in the namespace by one level. The ACPI namespace is defined in the ACPI specification. The ACPICA subsystem honors all of the naming conventions that are defined in the ACPI specification.

Frequently in this document, pathnames are referred to as “fully qualified pathname” or “absolute pathname” or “relative pathname”. A pathname is fully qualified if it begins with the backslash character ('\') since it defines the complete path to an object from the root of the namespace. All other pathnames are relative since they specify a path to an object from somewhere in the namespace besides the root.

The ACPI specification defines special search rules for single segment (4-character) or standalone names. These rules are intended to apply to the execution of AML control methods that reference named ACPI objects. The ACPICA Subsystem component implements these rules fully for the execution of control methods. It does not implement the so-called “parent tree” search rules for the external interfaces in order to avoid object reference ambiguities.

6.1.2 Pointers

Many of the interfaces defined here pass pointers as parameters. It is the responsibility of the caller to ensure that all pointers passed to the ACPICA subsystem are valid and addressable. The interfaces only verify that pointers are non-NULL. If a pointer is any value other than NULL, it will be assumed to be a valid pointer and will be used as such.

6.1.3 Buffers

It is the responsibility of the caller to ensure that all input and output buffers supplied to the ACPICA Subsystem component are at least as long as the length specified in the ACPI_BUFFER structure, readable, and writable in the case of output buffers. The ACPICA Subsystem does not perform addressability checking on buffer pointers, nor does it perform range validity checking on the buffers themselves. In the ACPI Component Architecture, it is the responsibility of the OS Services Layer to validate all buffers passed to it by application code, create aliases if necessary to



address buffers, and ensure that all buffers that it creates locally are valid. In other words, the ACPICA Subsystem *trusts* the OS Services Layer to validate all buffers.

When the length field of `ACPI_BUFFER` is set to `ACPI_ALLOCATE_BUFFER` before a call that returns data in an output buffer, the Subsystem will allocate a return buffer on behalf of the caller. It is the responsibility of the caller to free this buffer when it is no longer needed (via `AcpiOsFree`).

6.2 ACPICA Basic Data Types

6.2.1 UINT64 and COMPILER_DEPENDENT_UINT64

Beginning with the ACPI version 2.0 specification, the width of integers within the AML interpreter are defined to be 64 bits on all platforms (both 32- and 64-bit). The implementation of this requirement requires the deployment of 64-bit integers across the entire ACPICA Subsystem. Since there is (currently) no standard method of defining a 64-bit integer in the C language, the `COMPILER_DEPENDENT_UINT64` macro is used to allow the `UINT64` typedef to be defined by each host compiler. The `UINT64` data type is used at the `Acpi*` interface level for both physical memory addresses and ACPI (interpreter) integers.

6.2.2 ACPI_PHYSICAL_ADDRESS

The width of all *physical* addresses is fixed at 64 bits, regardless of the platform or operating system. Logical addresses (pointers) remain the natural width of the machine (i.e. 32-bit pointers on 32-bit machines, 64-bit pointers on 64-bit machines.) This allows for a full 64-bit address space on 64-bit machines as well as “extended” physical addresses (above 4Gbytes) on 32-bit machines.

6.2.3 ACPI_IO_ADDRESS

Similar to `ACPI_PHYSICAL_ADDRESS`, except it is used for I/O addresses.

6.2.4 ACPI_SIZE

This data type is 32 bits or 64 bits depending on the platform. It is used in lieu of the C library `size_t`, which cannot be guaranteed to be available.

6.2.5 ACPI_STRING – ASCII String

The `ACPI_STRING` data type is a conventional “char*” null-terminated ASCII string. It is used whenever a full ACPI pathname or other variable-length string is required. This data type was defined to strongly differentiate it from the `ACPI_NAME` data type.

6.2.6 ACPI_BUFFER – Input and Output Memory Buffers

Many of the ACPICA interfaces require buffers to be passed into them and/or buffers to be returned from them. A common structure is used for all input and output buffers across the interfaces. The buffer structure below is used for both input and output buffers. The ACPICA Subsystem component only allocates memory for return buffers if requested to do so — this allows the caller



complete flexibility in where and how memory is allocated. This is especially important in kernel level code.

```

Typedef struct
{
    UINT32      Length;      // Length of the buffer in bytes;
    void        *Pointer;    // pointer to buffer
} ACPI_BUFFER;

```

6.2.6.1 Input Buffer

An input buffer is defined to be a buffer that is filled with data by the user (caller) before it is passed in as a parameter to one of the ACPI interfaces. When passing an input buffer to one of the Subsystem interfaces, the user creates an `ACPI_BUFFER` structure and initializes it with a pointer to the actual buffer and the length of the valid data in the buffer. Since the memory for the actual `ACPI_BUFFER` structure is small, it will typically be dynamically allocated on the CPU stack. For example, a user may allocate a 4K buffer for common storage. The buffer may be reused many times with data of various lengths. Each time the number of bytes of *significant* data contained in the buffer is entered in the `Length` field of the `ACPI_BUFFER` structure before an ACPICA Subsystem interface is called.

6.2.6.2 Output Buffer

An output buffer is defined to be a buffer that is filled with data by an ACPI interface before it is returned to the caller. When the `ACPI_BUFFER` structure is used as an output buffer the caller must always initialize the structure by either

1. Placing a value in the `Length` field that indicates the maximum size of the buffer that is pointed to by the `Pointer` field. The length is used by the ACPI interface to ensure that there is sufficient user provided space for the return value.
2. Initializing the `Length` field to `ACPI_ALLOCATE_BUFFER` to cause the ACPICA subsystem to allocate a buffer.

If a buffer that was passed in by the caller is too small, the ACPI interfaces that require output buffers will indicate the failure by returning the error code `AE_BUFFER_OVERFLOW`. The interfaces will never attempt to put more data into the caller's buffer than is specified by the `Length` field of the `ACPI_BUFFER` structure (unless `ACPI_ALLOCATE_BUFFER` is used). The caller may recover from this failure by examining the `Length` field of the `ACPI_BUFFER` structure. The interface will place the *required* length in this field in the event that the buffer was too small.

During normal operation, the ACPI interface will copy data into the buffer. It will indicate to the caller the length of data in the buffer by setting the `Length` field of the `ACPI_BUFFER` to the actual number of bytes placed in the buffer.

Therefore, the `Length` field is both an input and output parameter. On input, it indicates either the size of the buffer or an indication to the ACPICA subsystem to allocate a return buffer on behalf of the caller. On output, it either indicates the actual amount of data that was placed in the buffer (if the buffer was large enough), or it indicates the buffer size that is required (if the buffer was too small) and the exception is set to `AE_BUFFER_OVERFLOW`.

If `ACPI_ALLOCATE_BUFFER` is used, the returned buffer should be freed by the caller by using `AcpiOsFree`.



6.2.7 ACPI_STATUS – Interface Exception Return Codes

Most of the external ACPI interfaces return an exception code of type `ACPI_STATUS` as the function return value, as shown in the example below:

```
ACPI_STATUS          Status;

Status = AcpiInitializeSubsystem ();
if (ACPI_FAILURE (Status))
{
    // Exception handling code here
}
```

6.2.8 ACPI_HANDLE – Object Handle

References to ACPI objects managed by the ACPICA Subsystem component are made via the `ACPI_HANDLE` data type. A handle to an object is obtained by creating an attachment to the object via the *AcpiPathnameToHandle* or *AcpiNameToHandle* primitives. The concept is similar to opening a file and receiving a connection – after the pathname has been resolved to an object handle, no additional internal searching is performed whenever additional operations are needed on the object.

References to object scopes also use the `ACPI_HANDLE` type. This allows objects and scopes to be used interchangeably as parameters to Acpi interfaces. In fact, a scope handle is actually a handle to the *first object* within the scope.

6.2.8.1 Predefined Handles

One predefined handle is provided in order to simplify access to the ACPI namespace:

ACPI_ROOT_OBJECT: A handle to the root object of the namespace. All objects contained within the root scope are children of the root object.



6.2.9 ACPI_OBJECT_TYPE – Object Type Codes

Each ACPI object that is managed by the ACPICA subsystem has a **type** associated with it. The valid ACPI object types are defined as follows:

Table 2. ACPI Object Type Codes

ACPI_TYPE_ANY
ACPI_TYPE_INTEGER
ACPI_TYPE_STRING
ACPI_TYPE_BUFFER
ACPI_TYPE_PACKAGE
ACPI_TYPE_FIELD_UNIT
ACPI_TYPE_DEVICE
ACPI_TYPE_EVENT
ACPI_TYPE_METHOD
ACPI_TYPE_MUTEX
ACPI_TYPE_REGION
ACPI_TYPE_POWER
ACPI_TYPE_PROCESSOR
ACPI_TYPE_THERMAL
ACPI_TYPE_BUFFER_FIELD
ACPI_TYPE_DDB_HANDLE
ACPI_TYPE_DEBUG_OBJECT

6.2.10 ACPI_OBJECT – Method Parameters and Return Objects

The general purpose ACPI_OBJECT is used to pass parameters to control methods, and to receive results from the evaluation of namespace objects. The point of this data structure is to provide a common object that can be used to contain multiple ACPI data types. Only a subset of the ACPI_OBJECT_TYPES are supported by the ACPI_OBJECT. The types that are supported represent the types that are supported by control method arguments and return values as per the ASL/AML grammar specification.

When passing parameters to a control method, each parameter is contained in an ACPI_OBJECT. All of the parameters are then grouped together in an ACPI_OBJECT_LIST.

When receiving a result from the evaluation of a namespace object, a single ACPI_OBJECT is returned in an ACPI_BUFFER structure. This allows variable length objects such as ACPI Packages to be returned in the buffer. The first item in the buffer is always the base ACPI_OBJECT.

Some of the ACPI_OBJECT types (String, Buffer, Package) contain pointers to additional data. These pointers reference additional storage within the same ACPI_OBJECT allocation. They are guaranteed to be valid. **Note:** the entire ACPI_OBJECT cannot be simply copied, else any pointers within the object(s) will be invalid.

- **String:** Pointer is a reference to the actual string data.
- **Buffer:** Pointer is a reference to the actual buffer data.
- **Package:** Pointer is a reference to the sub-object (elements) array of additional ACPI_OBJECT(s)



When the device driver has completed processing of the ACPI_OBJECT, it can be deleted with one call to free.

```
typedef union acpi_object
{
    ACPI_OBJECT_TYPE    Type;    /* See ACPI_OBJECT_TYPE for values */
    struct
    {
        ACPI_OBJECT_TYPE    Type;        /* ACPI_TYPE_INTEGER */
        UINT64                Value;     /* The integer value */
    } Integer;

    struct
    {
        ACPI_OBJECT_TYPE    Type;        /* ACPI_TYPE_STRING */
        UINT32                Length;     /* # of bytes in string, minus null */
        char                  *Pointer;   /* points to the string value */
    } String;

    struct
    {
        ACPI_OBJECT_TYPE    Type;        /* ACPI_TYPE_BUFFER */
        UINT32                Length;     /* # of bytes in buffer */
        UINT8                 *Pointer;   /* points to the buffer */
    } Buffer;

    struct
    {
        ACPI_OBJECT_TYPE    Type;        /* ACPI_TYPE_PACKAGE */
        UINT32                Count;      /* # of elements in package */
        union acpi_object    *Elements;  /* Pointer to array of ACPI_OBJECTs */
    } Package;

    struct
    {
        ACPI_OBJECT_TYPE    Type;        /* ACPI_TYPE_LOCAL_REFERENCE */
        ACPI_OBJECT_TYPE    ActualType;  /* Type associated with the Handle */
        ACPI_HANDLE          Handle;     /* object reference */
    } Reference;

    struct
    {
        ACPI_OBJECT_TYPE    Type;        /* ACPI_TYPE_PROCESSOR */
        UINT32                ProcId;
        ACPI_IO_ADDRESS      PblkAddress;
        UINT32                PblkLength;
    } Processor;

    struct
    {
        ACPI_OBJECT_TYPE    Type;        /* ACPI_TYPE_POWER */
        UINT32                SystemLevel;
        UINT32                ResourceOrder;
    } PowerResource;
} ACPI_OBJECT;
```



6.2.10.1 Using the ACPI_OBJECT

In this example, the `_PCT` object is evaluated via the `AcpiEvaluateObject`. `_PCT` is defined to return two buffers each containing a single Resource Template. The diagram shows the internal structure of the `ACPI_OBJECT` that is returned from `_PCT`.

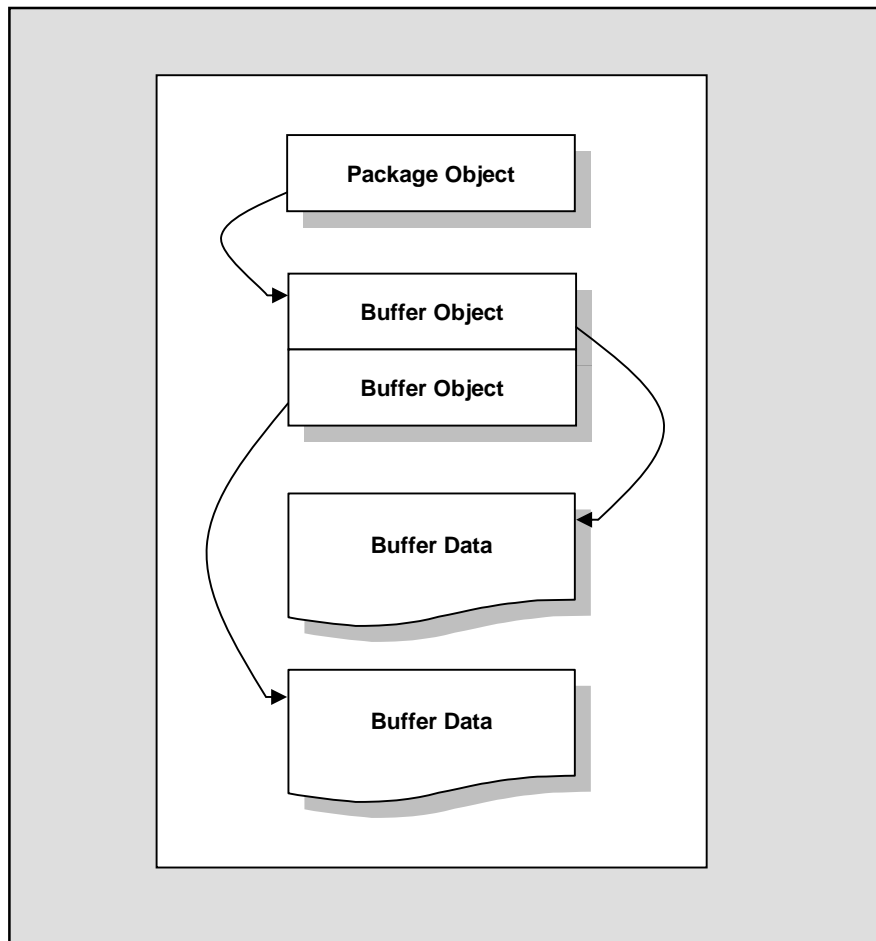
The original ASL source code is shown below:

```
Name (_PCT, Package (0x02)
{
    ResourceTemplate ()
    {
        Register (SystemIO, 0x08, 0x00, 0x00000000000000B2)
    },
    ResourceTemplate ()
    {
        Register (SystemIO, 0x08, 0x00, 0x00000000000000B3)
    }
})
```

This is the evaluation of the `_PCT` object defined above, and the diagram shows the contents of the returned `ACPI_OBJECT`:

```
Status = AcpiEvaluateObject (Node, "_PCT", NULL, &ReturnObj);
```

Figure 11. Structure of the ACPI_OBJECT





6.2.11 ACPI_OBJECT_LIST – List of Objects

This object is used to pass parameters to control methods via the *AcpiEvaluateMethod* interface. The *Count* is the number of ACPI objects pointed to by the *Pointer* field. In other words, the *Pointer* field must point to an array that contains *Count* ACPI objects.

```
Typedef struct AcpiObjList
{
    UINT32          Count;
    ACPI_OBJECT     *Pointer;
} ACPI_OBJECT_LIST;
```

6.2.12 ACPI_EVENT_TYPE – Fixed Event Type Codes

The ACPI fixed events are defined in the ACPI specification. The event codes below are used to install handlers for the individual events.

```
ACPI_EVENT_PMTIMER      // Power Management Timer rollover
ACPI_EVENT_GLOBAL       // Global Lock released
ACPI_EVENT_POWER_BUTTON // Power Button (pressed)
ACPI_EVENT_SLEEP_BUTTON // Sleep Button (pressed)
ACPI_EVENT_RTC          // Real Time Clock alarm
```

6.2.13 ACPI_TABLE_HEADER – Common ACPI Table Header

This is the header used for most of the BIOS-provided ACPI tables.

```
Typedef struct /* ACPI common table header */
{
    char          Signature [4]; /* Identifies type of table */
    UINT32        Length; /* Length of table, in bytes, */
                    /* including header */
    UINT8         Revision; /* Specification minor version # */
    UINT8         Checksum; /* To make sum of entire table = 0 */
    char          OemId [6]; /* OEM identification */
    char          OemTableId [8]; /* OEM table identification */
    UINT32        OemRevision; /* OEM revision number */
    char          AslCompilerId [4]; /* ASL compiler vendor ID */
    UINT32        AslCompilerRevision; /* ASL compiler revision number */
} ACPI_TABLE_HEADER;
```

6.3 ACPI Resource Data Types

These data types are used by the ACPICA resource interfaces.

6.3.1 PCI IRQ Routing Tables

The *AcpiGetIrqRoutingTable* interface retrieves the PCI IRQ routing tables. This interface returns the routing table in the *ACPI_BUFFER* provided by the caller. Upon return, the *Length* field of the *ACPI_BUFFER* will indicate the amount of the buffer used to store the PCI IRQ routing tables. If the returned status is *AE_BUFFER_OVERFLOW*, the *Length* indicates the size of the buffer needed to contain the routing table.



The `ACPI_BUFFER` *Pointer* points to a buffer of at least *Length* size. The buffer contains a series of `PCI_ROUTING_TABLE` entries, each of which contains both a *Length* member and a *Data* member. The *Data* member is a `PRT_ENTRY`. The *Length* member specifies the length of the `PRT_ENTRY` and can be used to walk the `PCI_ROUTING_TABLE` entries. By incrementing a buffer walking pointer by *Length* bytes, the pointer will reference each succeeding table element. The final `PCI_ROUTING_TABLE` entry will contain no data and have a *Length* member of zero.

Each `PRT_ENTRY` contains the Address, Pin, Source, and Source Index information as described in Chapter 6 of the ACPI Specification. While all structure members are `UINT32` types, the valid portion of both the *Pin* and *SourceIndex* members are only `UINT8` wide. Although the *Source* member is defined as “char Source[4]”, it can be de-referenced as a null-terminated string.

```
typedef struct acpi_pci_routing_table
{
    UINT32      Length;
    UINT32      Pin;           /* PCI Pin */
    UINT64      Address;       /* PCI Address of device */
    UINT32      SourceIndex;   /* Index of resource, allocating dev */
    char        Source[4];     /* pad to 64 bits so sizeof() works */
} ACPI_PCI_ROUTING_TABLE;
```

6.3.2 Device Resources

Device resources are returned by indirectly executing the `_CRS` and `_PRS` control methods via the *AcpiGetCurrentResources* and *AcpiGetPossibleResources* interfaces. These device resources are needed to properly execute the `_SRS` control method using the *AcpiSetCurrentResources* interface.

These interfaces require an `ACPI_BUFFER` parameter. If the *Length* member of the `ACPI_BUFFER` is set to zero, the **AcpiGet*** interfaces will return an `ACPI_STATUS` of `AE_BUFFER_OVERFLOW` with *Length* set to the size buffer needed to contain the resource descriptors. If the *Length* member is non-zero and *Pointer* in non-NULL, it is assumed that *Pointer* points to a memory buffer of at least *Length* size. Upon return, the *Length* member will indicate the amount of the buffer used to store the resource descriptors.

6.3.2.1 ACPI_RESOURCE_TYPE – Resource Data Types

The following resource types are supported by the ACPICA subsystem. The resource types that follow are used in the resource definitions used in the resource handling interfaces: *AcpiGetCurrentResources*, *AcpiGetPossibleResources*, and *AcpiSetCurrentResources*.

- Irq
- Dma
- StartDependentFunctions
- EndDependentFunctions
- Io
- FixedIo
- FixedDma
- VendorSpecific
- EndTag
- Memory24
- Memory32



- FixedMemory32
- Address16
- Address32
- Address64
- ExtendedAddress64
- ExtendedIrq
- GenericRegister
- GpioIo
- GpioInt
- I2cSerialBus
- SpiSerialBus
- UartSerialBus

```
typedef union acpi_resource_data /* union of all resources */
{
    ACPI_RESOURCE_IRQ                Irq;
    ACPI_RESOURCE_DMA                Dma;
    ACPI_RESOURCE_START_DEPENDENT    StartDpf;
    ACPI_RESOURCE_IO                 Io;
    ACPI_RESOURCE_FIXED_IO           FixedIo;
    ACPI_RESOURCE_FIXED_DMA          FixedDma;
    ACPI_RESOURCE_VENDOR             Vendor;
    ACPI_RESOURCE_VENDOR_TYPED       VendorTyped;
    ACPI_RESOURCE_END_TAG             EndTag;
    ACPI_RESOURCE_MEMORY24           Memory24;
    ACPI_RESOURCE_MEMORY32           Memory32;
    ACPI_RESOURCE_FIXED_MEMORY32     FixedMemory32;
    ACPI_RESOURCE_ADDRESS16          Address16;
    ACPI_RESOURCE_ADDRESS32          Address32;
    ACPI_RESOURCE_ADDRESS64          Address64;
    ACPI_RESOURCE_EXTENDED_ADDRESS64 ExtAddress64;
    ACPI_RESOURCE_EXTENDED_IRQ       ExtendedIrq;
    ACPI_RESOURCE_GENERIC_REGISTER   GenericReg;
    ACPI_RESOURCE_GPIO               Gpio;
    ACPI_RESOURCE_I2C_SERIALBUS      I2cSerialBus;
    ACPI_RESOURCE_SPI_SERIALBUS      SpiSerialBus;
    ACPI_RESOURCE_UART_SERIALBUS     UartSerialBus;
    ACPI_RESOURCE_COMMON_SERIALBUS   CommonSerialBus;
} ACPI_RESOURCE_DATA;

typedef struct acpi_resource
{
    UINT32                Type;
    UINT32                Length;
    ACPI_RESOURCE_DATA    Data;
} ACPI_RESOURCE;
```

The `ACPI_BUFFER` *Pointer* points to a buffer of at least *Length* size. The buffer is filled with a series of `RESOURCE` entries, each of which begins with an *Id* that indicates the type of resource descriptor, a *Length* member and a *Data* member that is a `RESOURCE_DATA` union. The `RESOURCE_DATA` union can be any of fourteen different types of resource descriptors. The



Length member will allow the caller to walk the RESOURCE entries. By incrementing a buffer walking pointer by *Length* bytes, the pointer will reference each succeeding table element. The final element in the list of RESOURCE entries will have an *Id* of EndTag. An EndTag entry contains no additional data.

When walking the RESOURCE entries, the *Id* member determines how to interpret the structure. For example, if the *Id* member evaluates to StartDependentFunctions, then the *Data* member is two 32-bit values, a CompatibilityPriority value and a PerformanceRobustness value. These values are interpreted using the constant definitions that are found in actypes.h, GOOD_CONFIGURATION, ACCEPTABLE_CONFIGURATION or SUB_OPTIMAL_CONFIGURATION. The interpretation of these constant definitions is discussed in the Start Dependent Functions section of the ACPI specification, Chapter 6.

As another, more complex example, consider a RESOURCE entry with an *Id* member that evaluates to Address32, then the *Data* member is an ADDRESS32_RESOURCE structure. The ADDRESS32_RESOURCE structure contains fourteen members that map to the data discussed in the DWORD Address Space Descriptor section of the ACPI specification, Chapter 6. The *Data.Address32.ResourceType* member is interpreted using the constant definitions MEMORY_RANGE, IO_RANGE or BUS_NUMBER_RANGE. This value also effects the interpretation of the *Data.Address32.Attribute* structure because it contains type specific information.

The General Flags discussed in the ACPI specification are interpreted and given separate members within the ADDRESS32_RESOURCE structure. Each of the bits in the General Flags that describe whether the maximum and minimum addresses is fixed or not, whether the address is subtractively or positively decoded and whether the resource simply consumes or both produces and consumes a resource are represented by the members *MaxAddressFixed*, *MinAddressFixed*, *Decode* and *ProducerConsumer* respectively.

The *Attribute* member is interpreted based upon the *ResourceType* member. For example, if the *ResourceType* is MEMORY_RANGE, then the *Attribute* member contains two 16-bit values, a *Data.Address32.Attribute.Memory.CacheAttribute* value and a *ReadWriteAttribute* value.

The *Data.Address32.Granularity*, *MinAddressRange*, *MaxAddressRange*, *AddressTranslationOffset* and *AddressLength* members are simply interpreted as UINT32 numbers.

The optional *Data.Address32.ResourceSourceIndex* is valid only if the *ResourceSourceStringLength* is non-zero. Although the *ResourceSource* member is defined as UINT8 ResourceSource[1], it can be de-referenced as a null-terminated string whose length is *ResourceSourceStringLength*.

6.4 ACPICA Exception Codes

A common and consistent set of return codes is used throughout the ACPICA subsystem. For example, all of the public ACPI interfaces return the exception AE_BAD_PARAMETER when an invalid parameter is detected.

The exception codes are contained in the public acexcep.h file.

The entire list of available exception codes is given below, along with a generic description of each code. See the description of each public primitive for a list of possible exceptions, along with specific reason(s) for each exception.



Table 3. Exception Code Values

Exception Name	Typical Meaning
AE_OK	No error
<i>Environmental Exceptions</i>	
AE_ERROR	Unspecified error
AE_NO_ACPI_TABLES	ACPI tables could not be found
AE_NO_NAMESPACE	A namespace has not been loaded
AE_NO_MEMORY	Insufficient dynamic memory
AE_NOT_FOUND	The name was not found in the namespace
AE_NOT_EXIST	A required entity does not exist
AE_ALREADY_EXISTS	An entity already exists
AE_TYPE	The object type is incorrect
AE_NULL_OBJECT	A required object was missing
AE_NULL_ENTRY	The requested object does not exist
AE_BUFFER_OVERFLOW	The buffer provided is too small
AE_STACK_OVERFLOW	An internal stack overflowed
AE_STACK_UNDERFLOW	An internal stack underflowed
AE_NOT_IMPLEMENTED	The feature is not implemented
AE_SUPPORT	The feature is not supported
AE_LIMIT	A predefined limit was exceeded
AE_TIME	A time limit or timeout expired
AE_ACQUIRE_DEADLOCK	Internal error - attempt was made to acquire a mutex in improper order
AE_RELEASE_DEADLOCK	Internal error - attempt was made to release a mutex in improper order
AE_NOT_ACQUIRED	An attempt to release a mutex or the Global Lock without a previous acquire
AE_ALREADY_ACQUIRED	Internal error - attempt was made to acquire a mutex twice
AE_NO_HARDWARE_RESPONSE	Hardware did not respond after an I/O operation
AE_NO_GLOBAL_LOCK	There is no FACS Global Lock
AE_ABORT_METHOD	A control method was aborted
AE_SAME_HANDLER	Attempt was made to install the same handler that is already installed
AE_NO_HANDLER	A handler for the operation is not installed
AE_OWNER_ID_LIMIT	There are no more Owner IDs available for ACPI tables or control methods
AE_NOT_CONFIGURED	The interface is not part of the current subsystem configuration
<i>Programmer Exceptions (ACPI external interfaces)</i>	



Exception Name	Typical Meaning
AE_BAD_PARAMETER	A parameter is out of range or invalid
AE_BAD_CHARACTER	An invalid character was found in a name
AE_BAD_PATHNAME	An invalid character was found in a pathname
AE_BAD_DATA	A package or buffer contained incorrect data
AE_BAD_HEX_CONSTANT	Invalid character in a Hex constant
AE_BAD_OCTAL_CONSTANT	Invalid character in an Octal constant
AE_BAD_DECIMAL_CONSTANT	Invalid character in a Decimal constant
AE_MISSING_ARGUMENTS	Too few arguments were passed to a control method
AE_BAD_ADDRESS	A null I/O address was passed as a parameter to AcpiRead or AcpiWrite
ACPI Table Exceptions	
AE_BAD_SIGNATURE	An ACPI table has an invalid signature
AE_BAD_HEADER	Invalid field in an ACPI table header
AE_BAD_CHECKSUM	An ACPI table checksum is not correct
AE_BAD_VALUE	An invalid value was found in a table
AE_INVALID_TABLE_LENGTH	The FADT or FACS has improper length
AML (Interpreter) Exceptions	
AE_AML_BAD_OPCODE	Invalid AML opcode encountered
AE_AML_NO_OPERAND	An operand is missing (such as a method that did not return a required value)
AE_AML_OPERAND_TYPE	An operand of an incorrect type was encountered
AE_AML_OPERAND_VALUE	The operand had an inappropriate or invalid value
AE_AML_UNINITIALIZED_LOCAL	Method tried to use an uninitialized local variable
AE_AML_UNINITIALIZED_ARG	Method tried to use an uninitialized argument
AE_AML_UNINITIALIZED_ELEMENT	Method tried to use an empty package element
AE_AML_NUMERIC_OVERFLOW	Overflow during BCD conversion or other
AE_AML_REGION_LIMIT	Tried to access beyond the end of an Operation Region
AE_AML_BUFFER_LIMIT	Tried to access beyond the end of a buffer
AE_AML_PACKAGE_LIMIT	Tried to access beyond the end of a package
AE_AML_DIVIDE_BY_ZERO	During execution of AML Divide operator
AE_AML_BAD_NAME	An ACPI name contains invalid character(s)
AE_AML_NAME_NOT_FOUND	Could not resolve a named reference
AE_AML_INTERNAL	An internal error within the interpreter



Exception Name	Typical Meaning
AE_AML_INVALID_SPACE_ID	An Operation Region SpaceID is invalid
AE_AML_STRING_LIMIT	String is longer than 200 characters
AE_AML_NO_RETURN_VALUE	A method did not return a required value
AE_AML_METHOD_LIMIT	A control method reached the maximum reentrancy limit of 255
AE_AML_NOT_OWNER	A thread tried to release a mutex that it does not own
AE_AML_MUTEX_ORDER	Mutex SyncLevel release mismatch
AE_AML_MUTEX_NOT_ACQUIRED	Attempt to release a mutex that was not previously acquired
AE_AML_INVALID_RESOURCE_TYPE	Invalid resource type in resource list
AE_AML_INVALID_INDEX	Invalid Argx or Localx (x too large)
AE_AML_REGISTER_LIMIT	Bank value or Index value beyond range of register
AE_AML_NO_WHILE	Break or Continue without a While
AE_AML_ALIGNMENT	Non-aligned memory transfer on platform that does not support this
AE_AML_NO_RESOURCE_END_TAG	No End Tag in a resource list
AE_AML_BAD_RESOURCE_VALUE	Invalid value of a resource element
AE_AML_CIRCULAR_REFERENCE	Two references refer to each other
AE_AML_BAD_RESOURCE_LENGTH	The length of a Resource Descriptor in the AML is incorrect
AE_AML_ILLEGAL_ADDRESS	A memory, I/O, or PCI configuration address is invalid
AE_AML_INFINITE_LOOP	An apparent infinite AML While loop, method was aborted
<i>Internal Exceptions used for control</i>	
AE_CTRL_RETURN_VALUE	A Method returned a value
AE_CTRL_PENDING	Method is calling another method
AE_CTRL_TERMINATE	Terminate the executing method
AE_CTRL_TRUE	An If or While predicate result
AE_CTRL_FALSE	An If or While predicate result
AE_CTRL_DEPTH	Maximum search depth has been reached
AE_CTRL_END	An If or While predicate is false
AE_CTRL_TRANSFER	Transfer control to called method
AE_CTRL_BREAK	A Break has been executed
AE_CTRL_CONTINUE	A Continue has been executed
AE_CTRL_SKIP	Not currently used
AE_CTRL_PARSE_CONTINUE	Used to skip over bad opcodes
AE_CTRL_PARSE_PENDING	Used to implement AML While loops



7 Subsystem Configuration

There are several methods of configuring the OS-independent ACPICA Subsystem:

1. Selection of individual ACPICA components.
2. Configuration of platform-specific data types.
3. Per-machine configuration for machine-specific dependencies.
4. Per-compiler configuration for compiler dependencies.
5. Other compile-time configuration through the use of compiler switches.
6. Run-time global variables which are statically initialized from the configuration header file.

7.1 Configuration Files

The ACPICA subsystem has three types of configuration header files to allow the subsystem to be tailored to the particular machine and compiler, as well as allowing for the tuning of subsystem constants.

These three include files perform the subsystem configuration:

- An include file that is specific to the particular compiler being used to compile the ACPICA subsystem provides macros and defines that must be implemented on a per-compiler basis. These files appear in the *include/platform* directory.
- An include file that is specific to the particular machine being targeted for the ACPICA subsystem provides macros and defines that must be implemented on a per-machine basis. These files appear in the *include/platform* directory.
- A global include file, *acconfig.h* allows for the tailoring and tuning of various subsystem constants and options. This file appears in the *include* directory

7.2 Component Selection

7.2.1 ACPI_DISASSEMBLER

This switch enables the AML Disassembler component, which is usually used in conjunction with the ACPI Debugger.

7.2.2 ACPI_DEBUGGER

This switch enables the ACPICA Debugger component. It also enables the various object dumping routines.



7.2.3 ACPI_REDUCED_HARDWARE

This switch generates a version of ACPICA that only supports “reduced hardware” platforms as defined by ACPI 5.0. When set to TRUE, most of the hardware support component is configured out. There is no support for the following ACPI features:

- PM Event and Control registers
- SCI Interrupt (and handler)
- Fixed Events
- General Purpose Events (GPEs)
- Global Lock
- ACPI PM Timer
- FACS table (Waking vectors and Global Lock)

The following ACPICA public interfaces are configured out. They are still defined, but return the AE_NOT_CONFIGURED status:

Handlers

- AcpiInstallGlobalEventHandler
- AcpiInstallFixedEventHandler
- AcpiRemoveFixedEventHandler
- AcpiInstallGpeHandler
- AcpiRemoveGpeHandler

Global Lock

- AcpiAcquireGlobalLock
- AcpiReleaseGlobalLock

Fixed Events

- AcpiEnable
- AcpiDisable
- AcpiEnableEvent
- AcpiDisableEvent
- AcpiClearEvent
- AcpiGetEventStatus

General Purpose Events (GPEs)

- AcpiUpdateAllGpes
- AcpiEnableGpe
- AcpiDisableGpe
- AcpiSetGpe
- AcpiSetupGpeForWake
- AcpiSetGpeWakeMask
- AcpiClearGpe
- AcpiGetGpeStatus
- AcpiFinishGpe
- AcpiDisableAllGpes
- AcpiEnableAllRuntimeGpes
- AcpiInstallGpeBlock
- AcpiRemoveGpeBlock
- AcpiGetGpeDevice



```

PM Timer
    AcpiGetTimerResolution
    AcpiGetTimer
    AcpiGetTimerDuration

ACPI Registers
    AcpiReadBitRegister
    AcpiWriteBitRegister

Sleep/Wake
    AcpiSetFirmwareWakingVector
    AcpiSetFirmwareWakingVector64
    AcpiEnterSleepStateS4bios

```

7.3 Configurable Data Types

The configurable data types are used to help tailor the ACPICA subsystem to a particular operation system or compiler. Any changes from the default values should be specified in a system-dependent header file under the *include/platform* directory.

7.3.1 ACPI_SPINLOCK

This type is an OS-dependent handle for a spinlock. It is returned by the *AcpiOsCreateLock* interface, and passed as a parameter to the *AcpiOsAcquireLock* and *AcpiOsReleaseLock* interfaces. The default value for **ACPI_SPINLOCK** is (void *). It can be changed to whatever type the host OS uses for spinlocks.

7.3.2 ACPI_SEMAPHORE

This type is an OS-dependent handle for a semaphore. It is returned by the *AcpiOsCreateSemaphore* interface, and passed as a parameter to the *AcpiOsWaitSemaphore* and *AcpiOsSignalSemaphore* interfaces. The default value for **ACPI_SEMAPHORE** is (void *). It can be changed to whatever type the host OS uses for semaphore objects.

7.3.3 ACPI_MUTEX

This type is an OS-dependent handle for a mutex. It is returned by the *AcpiOsCreateMutex* interface, and passed as a parameter to the *AcpiOsAcquireMutex* and *AcpiOsReleaseMutex* interfaces. The default value for **ACPI_MUTEX** is (void *). It can be changed to whatever type the host OS uses for mutex objects.

If mutex objects are not supported by the host operating system, use the **ACPI_MUTEX_TYPE** with the **ACPI_BINARY_SEMAPHORE** option (described later). This option causes mutexes to be automatically implemented via **ACPI_SEMAPHORE** objects, and the OSL mutex interfaces are not required.



7.3.4 ACPI_CPU_FLAGS

This type is used for the value returned from *AcpiOsAcquireLock*, and the value passed as a parameter to *AcpiOsReleaseLock*. It can be configured to whatever type the host OS uses for CPU flags that need to be saved and restored across the acquisition and release of a spinlock. The default value is **ACPI_SIZE**.

7.3.5 ACPI_THREAD_ID

This type is defined as a **UINT64** and is returned by the *AcpiOsGetThreadId* interface.

There is no standard "thread_id" across operating systems or even the various UNIX systems. Since ACPICA only needs the thread ID as a unique thread identifier, it uses a **UINT64** as the only common data type – a **UINT64** will accommodate any type of pointer or any type of integer. It is up to the host-dependent OSL to cast the native thread ID type to a **UINT64** (in *AcpiOsGetThreadId*) before returning the value to ACPICA.

7.3.6 ACPI_CACHE_T

This type is used for the value returned from *AcpiOsCreateCache*. It is used as a parameter to the various OSL cache interfaces to identify a cache object for operating systems that implement a cache manager. If the local ACPICA cache memory manager is used (configured), the value for this type is **ACPI_MEMORY_LIST**. Otherwise, the value is OS-dependent.

7.3.7 ACPI_UINTPTR_T

This type is introduced to assist compilation of ACPICA under a C99 compiler that implements the **uintptr_t** type. It is used for casting of pointers to eliminate compiler warnings. The default value for the non-C99 case is (void *).

7.4 Subsystem Compile-Time Options

These defines are used to customize the ACPICA Subsystem at compile time by selecting or disabling various features.

7.4.1 ACPI_USE_SYSTEM_CLIBRARY

This switch allows the use of a system-supplied C library for the *Clib* functions used by the subsystem. If this switch is not set, the subsystem uses its own implementations of these functions. Use of a system C library (when available) may be more efficient in terms of reused system code and efficiency of the function implementations.

7.4.2 ACPI_USE_STANDARD_HEADERS

This switch allows the use of standard C library headers that are provided by the host. The following C library headers are used:



```
#include <stdarg.h>
#include <stdlib.h>
#include <string.h>
#include <ctype.h>
```

7.4.3 ACPI_DEBUG_OUTPUT

This switch enables all debug facilities within ACPICA. This includes the **ACPI_DEBUG_PRINT** output statements, the **ACPI_FUNCTION_TRACE** tracing statements, and the various object dumping routines. If disabled, all of these macros evaluate to NULL and no code is produced.

7.4.4 ACPI_USE_LOCAL_CACHE

This switch enable the local ACPICA cache manager code. The use of a cache can improve the ACPICA performance considerably, since it frequently allocations and deallocates objects of identical size. If the host OS provides a similar cache manager, the ACPICA cache manager is not needed.

7.4.5 ACPI_DBG_TRACK_ALLOCATIONS

This switch enables the ACPICA cache statistics mechanism, and is only applicable if the local ACPICA cache manager is enabled (**ACPI_USE_LOCAL_CACHE**.) When enabled, information about each cache is saved, including the total memory allocated/freed, total requests, cache hits/misses, etc. This information can be displayed via the ACPICA Debugger.

7.4.6 ACPI_MUTEX_TYPE

This macro is used to define the type of mutex support desired. Either native (host OS) mutexes may be used, or binary semaphores may be used. The default behavior is to use binary semaphores.

The **ACPI_MUTEX_TYPE** must be one of the two following values:

ACPI_BINARY_SEMAPHORE (default)

Use this value if the host OS does not support **mutex** objects. If set, this switch enables the automatic use of macros that implement the mutex interfaces via binary semaphores, and the various mutex interfaces do not need to be implemented in the OSL.

ACPI_OSL_MUTEX

Use this value if the host OS supports **mutex** objects. The various mutex interfaces must be implemented in the OSL:

- AcpiOsCreateMutex
- AcpiOsDeleteMutex
- AcpiOsAcquireMutex
- AcpiOsReleaseMutex



7.4.7 ACPI_MUTEX_DEBUG

Enables code that performs error checking on the use of mutex objects. It checks for possible deadlock conditions by enforcing a mutex ordering rule. Use of this option can impact performance considerably, so it should only be used for debugging.

7.4.8 ACPI_SIMPLE_RETURN_MACROS

Enables simplified return macros. The default implementation for the return macros has extra protection so that the macro parameter is not evaluated twice. The simplified versions of these macros are smaller, but the parameter can be evaluated twice.

Protected macro:

```
#define return ACPI_STATUS(s) \
    ACPI_DO_WHILE0 ( { \
        register ACPI_STATUS _s = (s); \
        AcpiUtStatusExit (ACPI_DEBUG_PARAMETERS, _s); \
        return (_s); })
```

Simplified macro:

```
#define return ACPI_STATUS(s) \
    ACPI_DO_WHILE0 ( { \
        AcpiUtStatusExit (ACPI_DEBUG_PARAMETERS, (s)); \
        return((s)); })
```

7.4.9 ACPI_USE_DO_WHILE_0

Inserts a do ... while(0) statement around the return macros (see examples above). Prevents some compilers from issuing warnings for these macros.

Default implementation:

```
#define ACPI_DO_WHILE0(a)          do a while(0)
```

7.5 Per-Compiler Configuration

These macros and defines allow the ACPICA subsystem to be tailored to a particular compiler.

7.5.1 COMPILER_DEPENDENT_INT64

Defines the name of a signed 64-bit integer on for this compiler. This macro is required because there is (currently) no standard method to define 64-bit integers in the C language. There is no default, this macro **must** be defined by the platform configuration file.

Examples

```
#define COMPILER_DEPENDENT_INT64    int64_t
#define COMPILER_DEPENDENT_INT64    long
#define COMPILER_DEPENDENT_INT64    __int64
#define COMPILER_DEPENDENT_INT64    long long
```



7.5.2 COMPILER_DEPENDENT_UINT64

Defines the name of an unsigned 64-bit integer on for this compiler. This macro is required because there is (currently) no standard method to define 64-bit integers in the C language. There is no default, this macro **must** be defined by the platform configuration file.

Examples

```
#define COMPILER_DEPENDENT_UINT64  uint64_t
#define COMPILER_DEPENDENT_UINT64  unsigned long
#define COMPILER_DEPENDENT_UINT64  unsigned __int64
#define COMPILER_DEPENDENT_UINT64  unsigned long long
```

7.5.3 ACPI_INLINE

Optionally defines the proper “inline” keyword for this compiler, since “inline” itself is not a standard C keyword (at least in pre-C99 compilers). A few ACPICA functions use ACPI_INLINE since they are very small. This option can be defined to the appropriate keyword for this compiler. If an inline function is not available, or if it is not needed, this function does not need to be defined, the default is “null”.

Examples

```
#define ACPI_INLINE  inline
#define ACPI_INLINE  __inline
#define ACPI_INLINE  __inline__
```

7.5.4 ACPI_USE_NATIVE_DIVIDE

This switch enables native 64-bit divides. It is set by default for 64-bit machine widths. It is optional for 32-bit platforms. Only use this option on a 32-bit platform if a 64-bit double-precision math library is available for use by ACPICA. If the library is not available, then do not use this option and a local ACPICA double-precision divide function is enabled instead.

7.5.5 ACPI_DIV_64_BY_32 (Short 64-bit Divide)

This macro performs a simple 64-bit divide with a 64-bit dividend and a 32-bit divisor. The purpose of this macro is to perform a short divide on 32-bit platforms without invoking a double-precision math library. Both the quotient and remainder must be returned. There is no default, this macro **must** be defined by the platform configuration file.

Example 32-bit Implementation

```
#define ACPI_DIV_64_BY_32(n_hi, n_lo, d32, q32, r32) \
{ \
    __asm mov    edx, n_hi \
    __asm mov    eax, n_lo \
    __asm div   d32 \
    __asm mov    q32, eax \
    __asm mov    r32, edx \
}
```


Example 64-bit Implementation

```
#define ACPI_DIV_64_BY_32(n, n_hi, n_lo, d32, q32, r32) \
{ \
    q32 = n / d32; \
    r32 = n % d32; \
}
```

7.5.6 ACPI_SHIFT_RIGHT_64 (64-bit Shift)

This macro performs a 64-bit right shift by one bit. The purpose of this macro is to perform a shift right on 32-bit platforms without invoking a double-precision math library. There is no default, this macro **must** be defined by the platform configuration file.

Example 32-bit Implementation

```
#define ACPI_SHIFT_RIGHT_64(n_hi, n_lo) \
{ \
    __asm shr    n_hi, 1 \
    __asm rcr    n_lo, 1 \
}
```

Example 64-bit Implementation

```
#define ACPI_SHIFT_RIGHT_64(n, n_hi, n_lo) \
{ \
    n <<= 1; \
}
```

7.5.7 ACPI_EXPORT_SYMBOL

This macro is used to define the mechanism used to export public symbols, if applicable. Within ACPICA, it is invoked for each of the public interfaces. The default value is NULL.

Example

```
#define ACPI_EXPORT_SYMBOL(Symbol)    EXPORT_SYMBOL(Symbol);
```

7.5.8 ACPI_EXTERNAL_XFACE

This macro allows the definition of an interface type prefix (such as `_cdecl`, `pascal`, etc.) to be used in the declaration of all ACPICA external interfaces (the **Acpi*** interfaces.) The default value is NULL.

Example

```
#define ACPI_EXTERNAL_XFACE            APIENTRY
```



7.5.9 ACPI_INTERNAL_XFACE

This macro allows the definition of an interface type prefix (such as **_cdecl**, **pascal**, etc.) to be used in the declaration of all ACPICA internal interfaces. The default value is NULL.

7.5.10 ACPI_INTERNAL_VAR_XFACE

This macro allows the definition of an interface type prefix (such as **_cdecl**, **pascal**, etc.) to be used in the declaration of all ACPICA variable-argument list internal interfaces. The default value is NULL.

Example

```
#define ACPI_INTERNAL_VAR_XFACE    __cdecl
```

7.5.11 ACPI_SYSTEM_XFACE

This macro allows the definition of an interface type prefix (such as **_cdecl**, **pascal**, etc.) to be used in the declaration of all interfaces to the host OS. The default value is NULL.

Examples

```
#define ACPI_SYSTEM_XFACE        __cdecl
#define ACPI_SYSTEM_XFACE        APIENTRY
```

7.5.12 ACPI_PRINTF_LIKE

This macro defines a suffix to be used in the definitions and prototypes of internal print functions that accept a printf-like format string. Some compilers have the ability to perform additional typechecking on such functions. The default value is NULL.

Example

```
#define ACPI_PRINTF_LIKE(c) \
    __attribute__((__format__(__printf__, c, c+1)))
```

7.5.13 ACPI_UNUSED_VAR

This macro defines a prefix to be used in the definition of variables that may not be used in a module (such as the **ACPI_MODULE_NAME**). This can prevent compiler warnings for such variables. The default value is NULL.

Example

```
#define ACPI_UNUSED_VAR __attribute__((unused))
```

7.6 Per-Machine Configuration

These macros and defines allow the ACPICA subsystem to be tailored to a particular machine or machine architecture.



7.6.1 ACPI_MACHINE_WIDTH

This macro defines the standard integer width of the target machine, either 32 or 64. There is no default, this macro **must** be defined by the platform configuration file.

Examples

```
#define ACPI_MACHINE_WIDTH      32
#define ACPI_MACHINE_WIDTH      64
```

7.6.2 ACPI_FLUSH_CPU_CACHE

Defines the instruction or instructions necessary to flush the CPU cache(s) on this machine.

Examples

```
#define ACPI_FLUSH_CPU_CACHE()  __asm {WBINVD}
#define ACPI_FLUSH_CPU_CACHE()  wbinvd()
```

7.6.3 ACPI_OS_NAME

This defines the string that is returned by the predefined “_OS_” method in the ACPI namespace.

```
#define ACPI_OS_NAME           "Microsoft Windows NT"
```

The _OS_ object is essentially obsolete, but there is a large base of ASL/AML code in existing machines that check for the string above. The use of this string usually guarantees that the ASL will execute down the most tested code path. Also, there is some code that will not execute the _OSI method unless _OS_ matches the string above. Therefore, change this string at your own risk.

7.6.4 ACPI_ACQUIRE_GLOBAL_LOCK

This macro defines the code (in assembly or C) necessary to acquire the ACPI Global Lock on this machine.

ACPI_ACQUIRE_GLOBAL_LOCK (FacsPtr, Acquired)

Where:

FacsPtr is a pointer to the FACS table.

Acquired is a boolean return value. TRUE if the lock was acquired; FALSE otherwise.

**Example:**

```

#define ACPI_ACQUIRE_GLOBAL_LOCK(FacsPtr, Acq)  __asm \
{
    __asm mov          eax, 0xFF                \
    __asm mov          ecx, FacsPtr            \
    __asm or           ecx, ecx                \
    __asm jz           exit_acq                \
    __asm lea          ecx, [ecx].GlobalLock   \
                                                \
    __asm acq10:                                     \
    __asm mov          eax, [ecx]              \
    __asm mov          edx, eax                \
    __asm and          edx, 0xFFFFFFFF        \
    __asm bts          edx, 1                  \
    __asm adc          edx, 0                  \
    __asm lock cmpxchg dword ptr [ecx], edx    \
    __asm jnz          acq10                  \
                                                \
    __asm cmp          dl, 3                    \
    __asm sbb          eax, eax                \
                                                \
    __asm exit_acq:                                     \
    __asm mov          Acq, al                  \
}

```

7.6.5 ACPI_RELEASE_GLOBAL_LOCK

This macro defines the code (in assembly or C) necessary to release the ACPI Global Lock on this machine.

ACPI_RELEASE_GLOBAL_LOCK (FacsPtr, Pending)

Where:

FacsPtr is a pointer to the FACS table.

Pending is a boolean return value. TRUE if the global lock pending bit is set; FALSE otherwise.

**Example:**

```
#define ACPI_RELEASE_GLOBAL_LOCK(FacsPtr, Pnd) __asm \  
{  
    __asm xor          eax, eax          \  
    __asm mov         ecx, FacsPtr      \  
    __asm or          ecx, ecx          \  
    __asm jz          exit_rel         \  
    __asm lea         ecx, [ecx].GlobalLock \  
    \  
    __asm Rel10:  
    __asm mov         eax, [ecx]        \  
    __asm mov         edx, eax          \  
    __asm and         edx, 0xFFFFFFFF  \  
    __asm lock cmpxchg dword ptr [ecx], edx \  
    __asm jnz         Rel10            \  
    \  
    __asm cmp         dl, 3             \  
    __asm and         eax, 1           \  
    \  
    __asm exit_rel:  
    __asm mov         Pnd, al          \  
}
```

7.7 Subsystem Runtime Configuration

This section describes features that may be enabled or disabled at run-time by setting various ACPICA global option variables.

The global option variables are found in the *include/acglobal.h* header.

7.7.1 Interpreter Slack Mode

Enable or disable the AML Interpreter slack mode, as described earlier. The default is disabled.

```
ACPI_INIT_GLOBAL (AcpiGbl_EnableInterpreterSlack, FALSE);
```

7.7.2 ACPI Register Widths

This option can be used to override the ACPI register widths that are specified in the FADT in the case where the FADT contains one or more incorrect register widths (lengths). The default value is TRUE, do not use the default register widths – do not use the values as specified in the FADT as these cannot be trusted. Instead, use the default widths defined in the ACPI specification.



The default register widths are as follows:

PM1A Enable,
PM1A Status,
PM1A Control,
PM1B Enable,
PM1B Status,
PM1B Control -- 16 bits each, = **ACPI_PM1_REGISTER_WIDTH**

PM2 Control -- 8 bits, = **ACPI_PM2_REGISTER_WIDTH**

PM Timer -- 32 bits, = **ACPI_PM_TIMER_WIDTH**

The default behavior of ACPICA is to override the FADT and use these default register widths:

```
ACPI_INIT_GLOBAL (AcpiGbl_UseDefaultRegisterWidths, TRUE);
```

7.7.3 Auto-Serialization of Control Methods

This feature causes ACPICA to scan all **NotSerialized** control methods at table load time. Any methods that attempt to create named ACPI objects will be dynamically changed to **Serialized**. This will prevent possible run-time exceptions such as **AE_ALREADY_EXISTS** which can happen if an ill-behaved method performs the following:

- 1) The method is originally **NotSerialized**.
- 2) The method creates named ACPI objects.
- 3) The method blocks after the creation of one or more named ACPI objects.
- 4) The method is subsequently reentered by a second thread during the time that the first thread is blocked.
- 5) An **AE_ALREADY_EXISTS** exception occurs when the second thread attempts to create the same named ACPI objects.

By automatically serializing methods that create named objects, the scenario above is avoided because only one thread at a time will be allowed to enter the method.

The default for this option is **TRUE**, but the method scan can be disabled by setting the following global variable to **FALSE**:

```
ACPI_INIT_GLOBAL (AcpiGbl_AutoSerializeMethods, TRUE);
```

7.7.4 Output from the AML Debug Object

This option controls whether output from the AML “Debug Object” is enabled or not. If set to **TRUE**, all system AML stores to the debug object will be formatted and printed via calls to the *AcpiOsPrintf* interface. Note: the module that formats stores to the debug object can optionally be configured out of the ACPICA build (via **ACPI_NO_ERROR_MESSAGES**). In this case, this option will have no effect.

```
ACPI_INIT_GLOBAL (AcpiGbl_EnableAmlDebugObject, FALSE);
```



7.7.5 Copy the System DSDT to Local Memory

For memory efficiency, ACPICA does not normally copy the DSDT or any other ACPI tables from their locations as presented by the system firmware; they are simply memory mapped. This is especially important on large systems where the DSDT can be several megabytes in size.

However, on some rare systems, it has been seen that the DSDT can become corrupted or even entirely replaced by a new (and invalid) DSDT during system operation. Reasons for this are unclear, but they are assumed to be bugs in the firmware. For these systems, an option to copy the DSDT to local memory is provided. When this option is specified, the DSDT is copied during system initialization, and the original DSDT is never referenced again.

```
ACPI_INIT_GLOBAL (AcpiGbl_CopyDsdtdLocally, FALSE);
```

7.7.6 Creation of _OSI Method

This option controls whether the predefined _OSI method is created or not. The _OSI method was defined in ACPI 2.0 and is implemented internally within the ACPICA subsystem.

```
ACPI_INIT_GLOBAL (AcpiGbl_CreateOsiMethod, TRUE);
```

7.7.7 I/O Address Truncation

This option will truncate I/O addresses to 16 bits. Provides compatibility with other ACPI implementations. NOTE: During ACPICA initialization, this value is set to TRUE if any Windows OSI strings have been requested by the BIOS.

```
ACPI_INIT_GLOBAL (AcpiGbl_TruncateIoAddresses, FALSE);
```

7.7.8 Runtime Validation/Repair of Predefined Names

This option disables runtime checking and repair of values returned by control methods. Use only if the repair is causing a problem on a particular machine.

```
ACPI_INIT_GLOBAL (AcpiGbl_DisableAutoRepair, FALSE);
```

7.7.9 Reduced ACPI Hardware Flag

ACPI 5.0 introduces the concept of a "reduced hardware platform", meaning that the ACPI hardware is no longer required. A flag in the FADT indicates a reduced HW machine, and that flag is duplicated here for use by drivers.

```
BOOLEAN AcpiGbl_ReducedHardware;
```

7.7.10 Ignore XSDT, Use RSDT Instead

This option causes the subsystem to ignore an XSDT if present. Although the ACPI specification requires the use of an XSDT if it is present in the RSDP, the XSDT has been found to be corrupt or ill-formed on some machines. Setting this option to TRUE will use the RSDT instead of an XSDT.

```
ACPI_INIT_GLOBAL (AcpiGbl_DoNotUseXsdt, FALSE);
```



7.7.11 Use 32-bit FADT Addresses to Resolve Conflicts

This option causes the subsystem to prefer 32-bit ACPI register or table addresses within the FADT when there is a conflict (address mismatch) between the 32-bit and 64-bit versions of the address. Although ACPICA adheres to the ACPI specification which requires the use of the 64-bit version if it is non-zero, some machines have been found to have one or more corrupted non-zero addresses.

```
ACPI_INIT_GLOBAL (AcpiGbl_Use32BitFadtAddresses, FALSE);
```

7.7.12 Use 32-bit FACS Addresses to Resolve Conflicts

This option causes the subsystem to prefer a 32-bit FACS within the FADT when there is a conflict (address mismatch) between the 32-bit and 64-bit versions of the address. Although ACPICA adheres to the ACPI specification which requires the use of the 64-bit version if it is non-zero, some machines have been found to have one or more corrupted non-zero addresses.

```
ACPI_INIT_GLOBAL (AcpiGbl_Use32BitFacstAddresses, FALSE);
```

7.8 Subsystem Configuration Constants

The configurable subsystem constants are specified in the *include/acconfig.h* header file. These constants may be modified at either compile time by changing the constants in *acconfig.h*, or at run-time by changing the contents of the global variables where these constants are stored.

7.8.1 ACPI_CHECKSUM_ABORT

Defines whether the table manager should abort the loading of an ACPI table if the table checksum is incorrect. Possible values are **TRUE** or **FALSE**. The default is **FALSE**.

In practice, often table checksums are found to be incorrect, not because of corruption, but because the BIOS has modified the table on the fly according to BIOS configuration options, and has inadvertently forgotten to update the checksum. Therefore, the ACPI table checksum isn't very useful and the default is to ignore checksum errors.

7.8.2 ACPI_MAX_LOOP_ITERATIONS

This defines the number of AML While() loop executions that are permitted before the infinite loop break mechanism is invoked. The default is 64K iterations, which is a very large number of iterations for an AML loop. This mechanism prevents a catastrophic infinite loop which would block the AML interpreter forever, effectively locking up most of the ACPICA subsystem.

Infinite loops can occur in poorly written AML in a hardware polling loop. For example, if the hardware simply does not respond and the loop does not implement a timeout.

7.8.3 ACPI_MAX_STATE_CACHE_DEPTH

The maximum number of objects in the generic state object cache used to avoid recursive calls within the subsystem. These are small objects, but are used frequently. A larger cache will improve the performance of the entire subsystem (loading tables, parsing methods, and executing methods.)



7.8.4 ACPI_MAX_PARSE_CACHE_DEPTH

The maximum number of objects in the parse object cache. These are the objects used to build parse trees. A larger cache will improve the execution performance of control methods (when the parse just-in-time strategy is used) by improving the time to parse the AML.

7.8.5 ACPI_MAX_OBJECT_CACHE_DEPTH

The maximum number of objects in the interpreter operand object cache. These objects are used during control methods to pass the operands for individual AML opcodes to the interpreter. A larger cache will improve the performance of control method execution.

7.8.6 ACPI_MAX_WALK_CACHE_DEPTH

The maximum number of objects in the parse tree walk object cache. These are relatively large objects (about 512 bytes) that are used to contain the entire state of a control method during its execution. Each nested control method requires an additional walk object. Since only one object is required per control method, it is not necessary to cache a large number of these objects. A few cached walk objects are sufficient to increase the performance of control method execution and reduce memory fragmentation.



8.1.2 AcpiInstallInitializationHandler

Install a global handler for initialization handling.

ACPI_STATUS
AcpiInstallInitializationHandler (
ACPI_INIT_HANDLER **Handler,**
UINT32 **Function)**

PARAMETERS

Handler	A pointer to the initialization handler.
Function	Reserved.

EXCEPTIONS

AE_OK	The ACPI namespace was successfully loaded and initialized.
AE_BAD_PARAMETER	The <i>Handler</i> parameter is invalid.
AE_ALREADY_EXISTS	A global initialization handler has already been installed.

Functional Description:

This function installs a global initialization handler that is called during the subsystem initialization.

Currently, the handler is called after each Device object within the namespace has been initialized (The `_INI` and `_STA` methods have been run on the device.)

8.1.2.1 Interface to User Callback Function

Interface to the user function that is installed via *AcpiInstallInitializationHandler*.

ACPI_STATUS (*ACPI_INIT_HANDLER) (
ACPI_HANDLE **Object,**
UINT32 **Function)**

PARAMETERS

Object	A handle for the object that is being or has just been initialized.
Function	One of the following manifest constants: ACPI_INIT_DEVICE_INI – the Object is a handle to a Device that has just been initialized.

**RETURN VALUE**

Status	AE_OK	Continue the walk.
	AE_TERMINATE	Stop the walk immediately.
	AE_DEPTH	Go no deeper into the namespace tree.
	All others	Abort the walk with this exception code.

Functional Description:

This function is called during subsystem initialization.

8.1.3 AcpiEnableSubsystem

Complete the ACPICA Subsystem initialization and enable ACPI operations.

ACPI_STATUS

AcpiEnableSubsystem (
UINT32

Flags)

PARAMETERS

Flags	Specifies how the subsystem should be initialized. Must be one of these manifest constants: ACPI_FULL_INITIALIZATION – Perform completed initialization. This is the normal use of this interface. ACPI_NO_ACPI_ENABLE . Do not attempt to enter ACPI mode. For hardware-independent mode only. ACPI_NO_ADDRESS_SPACE_INIT . Do not install the default address space handlers. For debug purposes only. ACPI_NO_HANDLER_INIT . Do not install the SCI and global lock handlers. For hardware-independent mode only.
-------	--

RETURN

Status	Exception code that indicates success or reason for failure.
--------	--

EXCEPTIONS

AE_OK	The ACPI namespace was successfully loaded and initialized.
AE_NO_MEMORY	Insufficient memory to build the internal namespace.

**Functional Description:**

This function completes initialization of the ACPICA Subsystem.

8.1.4 AcpiInitializeObjects

Initialize objects within the ACPI namespace.
--

ACPI_STATUS
AcpiInitializeObjects (
UINT32

Flags)

PARAMETERS

Flags

Specifies how the subsystem should be initialized. Must be one of these manifest constants:

ACPI_FULL_INITIALIZATION – Perform completed initialization. This is the normal use of this interface.

ACPI_NO_ADDRESS_SPACE_INIT. Do not execute the operation region _REG control methods. For debug purposes only.

ACPI_NO_OBJECT_INIT. Do not run the final initialization pass to complete initialization of all address spaces and fields.

ACPI_NO_DEVICE_INIT. Do not attempt to run the _STA and _INI methods on devices in the ACPI namespace.

ACPI_NO_EVENT_INIT. Do not initialize the FADT-defined GPE blocks. For hardware independent mode only.

RETURN

Status

Exception code that indicates success or reason for failure.

EXCEPTIONS

AE_OK

The ACPI namespace was successfully loaded and initialized.

AE_NO_MEMORY

Insufficient memory to build the internal namespace.

Functional Description:

This function completes initialization of the ACPICA Subsystem by initializing all ACPI Devices, Operation Regions, Buffer Fields, Buffers, and Packages. It must be called and it should only be called after a call to *AcpiEnableSubsystem*. The object cache is purged after these objects are initialized, in case an overly large number of cached objects were created during initialization (versus the size of the caches at runtime.)

**Functional Description:**

This function performs a shutdown of the OS-independent portion of the ACPICA subsystem. The namespace tables are unloaded, and all resources are freed to the host operating system. This function should be called prior to unloading the ACPICA subsystem. In more detail, the terminate function performs the following:

- Free all memory associated with the ACPI tables (either allocated or mapped memory).
- Free all internal objects associated with the namespace.
- Free all objects within the object caches.
- Free all OS resources associated with mutual exclusion.

8.1.7 AcpiInstallInterface

Install an interface into the list of interfaces recognized by the _OSI predefined method.

ACPI_STATUS
AcpiInstallInterface (
 ACPI_STRING

InterfaceName)

PARAMETERS

InterfaceName	A pointer to a string containing the name of the interface.
---------------	---

RETURN

Status	Exception code that indicates success or reason for failure.
--------	--

EXCEPTIONS

AE_OK	The interface was successfully installed.
AE_BAD_PARAMETER	Either <i>InterfaceName</i> is NULL or it points to a NULL string.
AE_NO_MEMORY	Insufficient memory to install the interface.
AE_ALREADY_EXISTS	The interface already exists.

Functional Description:

This function installs an interface into the global list of interfaces that are recognized by the _OSI predefined control method. Once installed, _OSI will return TRUE for a query that matches the *InterfaceName*.



8.1.7.1 Default Supported _OSI Strings

The following table lists the strings that are supported by ACPICA by default. This means that an _OSI query on any of the default strings will return TRUE.

The *AcpiInstallInterface* function may be used to dynamically add additional strings to this list, or the *AcpiRemoveInterface* function may be used to dynamically remove strings from this list.

```

/* Operating System Vendor Strings */

"Windows 2000"           /* Windows 2000 */
"Windows 2001"           /* Windows XP */
"Windows 2001 SP1"      /* Windows XP SP1 */
"Windows 2001.1"        /* Windows Server 2003 */
"Windows 2001 SP2"      /* Windows XP SP2 */
"Windows 2001.1 SP1"    /* Windows Server 2003 SP1 - Added 03/2006 */
"Windows 2006"          /* Windows Vista - Added 03/2006 */
"Windows 2006.1"        /* Windows Server 2008 - Added 09/2009 */
"Windows 2006 SP1"      /* Windows Vista SP1 - Added 09/2009 */
"Windows 2006 SP2"      /* Windows Vista SP2 - Added 09/2010 */
"Windows 2009"          /* Windows 7 and Server 2008 R2 - Added 09/2009 */
"Windows 2012"          /* Windows 8 and Server 2012 - Added 08/2012 */
"Windows 2013"          /* Windows 8.1 and Server 2012 R2 - Added 01/2014 */

/* Feature Group Strings */

"Extended Address Space Descriptor"

/*
 * All "optional" feature group strings (features that are implemented
 * by the host) should be dynamically modified to VALID by the host via
 * AcpiInstallInterface or AcpiUpdateInterfaces. Such optional feature
 * group strings are set as INVALID by default.
 *
 * "Module Device"
 * "Processor Device"
 * "3.0 Thermal Model"
 * "3.0 _SCP Extensions"
 * "Processor Aggregator Device"
 */

```

8.1.7.2 Why ACPICA responds TRUE to _OSI (Windows)

ACPICA responds TRUE to all known Windows strings because ACPICA attempts to be fully compatible with the Windows implementation of ACPI. On the other hand, ACPICA responds FALSE to other operating system strings (such as “Linux”, “FreeBSD”, or “HP-UX”) because doing so has been seen to often cause serious problems. For example, on many platforms, the only path through the ASL code that has been fully tested by the manufacturer is in fact the path for “Windows”. By responding TRUE to other operating system strings, the ASL may execute paths that have had only limited or even no evaluation.

An experience with the “Linux” _OSI string as experienced by Linux developers is documented below.



The story of _OSI(Linux)

From pre-history through Linux-2.6.22, Linux responded TRUE upon a BIOS OSI(Linux) query.

Unfortunately, reference BIOS writers got wind of this and put OSI(Linux) in their example code, quickly exposing this string as ill-conceived and opening the door to an un-bounded number of BIOS incompatibilities.

For example, OSI(Linux) was used on resume to re-POST a video card on one system, because Linux at that time could not do a speedy restore in its native driver. But then upon gaining quick native restore capability, Linux has no way to tell the BIOS to skip the time-consuming POST -- putting Linux at a permanent performance disadvantage. On another system, the BIOS writer used OSI(Linux) to infer native OS support for IPMI! On other systems, OSI(Linux) simply got in the way of Linux claiming to be compatible with other operating systems, exposing BIOS issues such as skipped device initialization.

So "Linux" turned out to be a really poor choice of OSI string, and from Linux-2.6.23 onward we respond FALSE.

BIOS writers should NOT query _OSI(Linux) on future systems. Linux will complain on the console when it sees it, and return FALSE. To get Linux to return TRUE for your system will require a kernel source update to add a DMI entry, or boot with "acpi_osi=Linux"

8.1.7.3 ACPIA Policy for New _OSI Strings

It is the stated policy of ACPIA that new _OSI strings will be integrated into the _OSI support as soon as possible after they are defined. It is strongly recommended that all ACPIA hosts mirror this policy and integrate any _OSI changes as soon as possible. There are several historical reasons behind this policy:

- 1) New BIOSs tend to test only the case where the host responds TRUE to the latest version of Windows, which would respond to the latest/newest _OSI string. Not responding TRUE to the latest version of Windows will risk executing untested code paths throughout the DSDT and SSDTs.
- 2) If a new _OSI string is recognized only after a significant delay, this has the potential to cause problems on existing working machines because of the possibility that a new and different path through the ASL code will be executed.
- 3) New _OSI strings are tending to come out about once per year. A delay in recognizing a new string for a significant amount of time risks the release of another string which only compounds the initial problem.



8.1.8 AcpiUpdateInterfaces

Update _OSI interface strings. Used for debugging

ACPI_STATUS
AcpiUpdateInterfaces (
UINT8

Action)

PARAMETERS

Action	Flags that specify the action to be performed. One of the following manifest constants: ACPI_DISABLE_ALL_VENDOR_STRINGS – Disable all of the operating system vendor strings. ACPI_DISABLE_ALL_FEATURE_STRINGS – Disable all of the feature group strings. ACPI_DISABLE_ALL_STRINGS – Disable all supported _OSI strings. ACPI_ENABLE_ALL_VENDOR_STRINGS – Enable all of the operating system vendor strings. ACPI_ENABLE_ALL_FEATURE_STRINGS – Enable all of the feature group strings. ACPI_ENABLE_ALL_STRINGS – Enable all supported _OSI strings.
--------	---

RETURN

Status	Exception code that indicates success or reason for failure.
--------	--

EXCEPTIONS

AE_OK	The action was successfully performed.
AE_BAD_PARAMETER	<i>Action</i> is not one of the supported manifest constants.

Functional Description:

This function globally modifies the behavior of the _OSI function by disabling or enabling all of the vendor strings, feature strings, or both. It is typically used for debugging purposes only.



8.1.9 AcpiRemoveInterface

Remove an interface from the list of interfaces recognized by the `_OSI` predefined method.

ACPI_STATUS
AcpiRemoveInterface (
 ACPI_STRING **InterfaceName**)

PARAMETERS

InterfaceName A pointer to a string containing the name of the interface.

RETURN

Status Exception code that indicates success or reason for failure.

EXCEPTIONS

AE_OK The interface was successfully removed.

AE_BAD_PARAMETER Either *InterfaceName* is NULL or it points to a NULL string.

AE_NOT_EXIST The interface does not exist.

Functional Description:

This function removes an interface from the global list of interfaces that are recognized by the `_OSI` predefined control method. Once removed, an `_OSI` query for the *InterfaceName* will return FALSE.

8.1.10 AcpiInstallInterfaceHandler

Install or remove a handler for `_OSI` invocations.

ACPI_STATUS
AcpiInstallInterfaceHandler (
 ACPI_INTERFACE_HANDLER **Handler**)

PARAMETERS

Handler Address of the handler to be installed. A NULL pointer will remove a previously installed handler.

RETURN

Status Exception code that indicates success or reason for failure.

**EXCEPTIONS**

AE_OK	The handler was successfully installed or removed.
AE_ALREADY_EXISTS	A handler has already been installed.

Functional Description:

This function installs or removes a global handler for all `_OSI` invocations. The handler is invoked whenever an `_OSI` invocation is encountered in the executing system AML.

An `_OSI` handler is entirely optional and should only be installed if it is necessary for the host OS to know exactly when `_OSI` is invoked and/or what interfaces are being requested by the system AML. Otherwise, the *AcpInstallInterface* and *AcpRemoveInterface* functions should be sufficient.

8.1.10.1 Interface to `_OSI` Interface Handlers
Definition of the handler interface for `_OSI` handlers.

```
typedef
UINT32 (*ACPI_INTERFACE_HANDLER) (
    ACPI_STRING      InterfaceName,
    UINT32           Supported)
```

PARAMETERS

InterfaceName	A pointer to a string containing the name of the interface that was requested via <code>_OSI</code> .
Supported	TRUE or FALSE, indicates whether the <i>InterfaceName</i> was found in the global <code>_OSI</code> interface table.

RETURN VALUE

Supported	Value of <i>Supported</i> to be returned to the AML code from the execution of <code>_OSI</code> . This allows the host to either accept and return the input value of <i>Supported</i> , or override it with a new value.
-----------	--

Functional Description:

This handler is installed via *AcpInstallInterfaceHandler*. It is invoked whenever the `_OSI` predefined control method is invoked from the system AML.



8.2 ACPI Table Management

8.2.1 AcpInitializeTables

Initialize the ACPICA table manager.

ACPI_STATUS

AcpInitializeTables (

ACPI_TABLE_DESC

UINT32

BOOLEAN

*InitialTableArray,

InitialTableCount,

AllowResize)

PARAMETERS

InitialTableArray

Pointer to an array of pre-allocated **ACPI_TABLE_DESC** structures. If NULL, the array is dynamically allocated.

InitialTableCount

Requested size of InitialTableArray, in number of **ACPI_TABLE_DESC** structures.

AllowResize

Flag to tell the Table Manager if a resize of the pre-allocated array is allowed. Ignored if *InitialTableArray* is NULL.

RETURN VALUE

Status

Exception code that indicates success or reason for failure.

EXCEPTIONS

AE_OK

The table manager was successfully initialized.

AE_NOT_FOUND

A valid RSDP could not be located.

AE_NO_MEMORY

Insufficient dynamic memory to complete the operation.

Functional Description:

This function initializes the table manager component. A memory array is required to store information about the BIOS-provided ACPI tables. It can be pre-allocated by the caller (if dynamic memory is not available yet) or it can be allocated by this function.

Specify a static memory array for the InitialTableArray if the Table Manager is to be used early during kernel initialization, before dynamic memory is available. Otherwise, use a NULL pointer and the Table Manager will use dynamic memory to allocate the array.



AE_NOT_FOUND	A valid RSDP could not be located.
AE_NO_MEMORY	Insufficient dynamic memory to complete the operation.

Functional Description:

This function locates and returns the ACPI Root System Description Pointer by scanning within the first megabyte of physical memory for the RSDP signature. This mechanism is only applicable to IA-32 systems.

This interface should only be called from the OSL function *AcpiOsGetRootPointer* if this memory scanning mechanism is appropriate for the current platform.

If the operation fails an appropriate status will be returned and the value of *RsdpPhysicalAddress* is undefined.

This function is always available, regardless of the initialization state of the rest of ACPICA.

8.2.4 AcpiInstallTable

Early installation of a single host-provided ACPI table.

ACPI_STATUS

AcpiInstallTable (
ACPI_PHYSICAL_ADDRESS **Address,**
BOOLEAN **Physical)**

PARAMETERS

Address	The ACPI table to be installed. Must be a buffer containing a valid ACPI table with a valid table header.
Physical	TRUE if <i>Address</i> is a physical address. Otherwise, <i>Address</i> is a logical address.

RETURN VALUE

Status	Exception code that indicates success or reason for failure.
--------	--

EXCEPTIONS

AE_OK	The table was successfully installed.
AE_ALREADY_EXISTS	The table already exists within the ACPICA data structures.
AE_BAD_CHECKSUM	The computed table checksum does not match the checksum in the table.
AE_BAD_HEADER	The table header is invalid or is not a valid type.
AE_BAD_SIGNATURE	The table signature is invalid or is not a valid type.
AE_NO_MEMORY	Insufficient dynamic memory to complete the operation.



Functional Description:

This function installs an ACPI table that is provided by the host in a buffer. It must be a valid ACPI table with a valid ACPI header. The table is not copied, so the caller must manage the buffer that contains the table. If the *Address* is a physical address, the table will be mapped by ACPICA via *AcpiOsMapMemory*.

This function allows tables to be installed into the ACPICA internal data structures before the namespace is actually loaded. Thus, SSDTs or any other ACPI table except for the DSDT and the FACS can be installed.

NOTE: Should only be called after *AcpiInitializeTables* and before the *AcpiLoadTables* interface.

8.2.5 AcpiLoadTables

Load the BIOS-provided ACPI tables and build an internal ACPI namespace.

ACPI_STATUS
AcpiLoadTables (
 void)

PARAMETERS

None

RETURN VALUE

Status	Exception code that indicates success or reason for failure.
--------	--

EXCEPTIONS

AE_OK	The table was successfully loaded and a handle returned.
AE_BAD_CHECKSUM	The computed table checksum does not match the checksum in the table.
AE_BAD_HEADER	The table header is invalid or is not a valid type.
AE_NO_ACPI_TABLES	The ACPI tables (RSDT, DSDT, FADT, etc.) could not be found in physical memory.
AE_NO_MEMORY	Insufficient dynamic memory to complete the operation.

Functional Description:

This function loads ACPI tables that are pointed to by the RSDP/RSDT and installs them into the internal ACPI namespace database. The *Root System Description Pointer* (RSDP) points to the *Root System Description Table* (RSDT), and the remaining ACPI tables are found via pointers contained in RSDT.

The minimum required set of ACPI tables that will allow the ACPICA Subsystem to initialize consists of the following:

- ◆ RSDT/XSDT



- ◆ FADT
- ◆ FACS
- ◆ DSDT

Only tables that are used directly by the ACPICA subsystem are loaded. Other tables (such as the MADT, SRAT, etc.) are obtained and consumed by different kernel subsystems and/or device drivers.

All SSDTs found within the RSDT/XSDT are loaded.

If the operation fails an appropriate status will be returned.

8.2.6 AcpiLoadTable

Load a single host-provided ACPI table.

```
ACPI_STATUS
AcpiLoadTable (
    ACPI_TABLE_HEADER    *Table)
```

PARAMETERS

Table	The ACPI table to be loaded into the namespace. Must be a buffer containing a valid ACPI table with a valid table header.
-------	---

RETURN VALUE

Status	Exception code that indicates success or reason for failure.
--------	--

EXCEPTIONS

AE_OK	The table was successfully loaded.
AE_BAD_PARAMETER	The Table parameter is NULL.
AE_BAD_CHECKSUM	The computed table checksum does not match the checksum in the table.
AE_BAD_HEADER	The table header is invalid or is not a valid type.
AE_NO_ACPI_TABLES	The standard ACPI tables (RSDT, DSDT, FADT, etc.) have not been loaded.
AE_NO_MEMORY	Insufficient dynamic memory to complete the operation.

Functional Description:

This function loads an ACPI table that is provided by the host in a buffer. It must be a valid ACPI table with a valid ACPI header. The table is not copied, so the caller must manage the buffer that contains the table.



This function is primarily intended for hotplug addition of SSDTs. The *AcpiUnloadParentTable* is intended for hotplug removal of SSDTs.

NOTE: Should only be called after the namespace has been loaded and initialized via the *AcpiLoadTables* interface.

8.2.7 AcpiUnloadParentTable

Unloads an ACPI table via a namespace object that is owned by the table.

ACPI_STATUS

AcpiUnloadParentTable (
ACPI_HANDLE Object)

PARAMETERS

Object	An ACPI_HANDLE for any namespace object that is owned by the table to be unloaded.
--------	--

RETURN VALUE

Status	Exception code that indicates success or reason for failure.
--------	--

EXCEPTIONS

AE_OK	The table was successfully unloaded.
AE_BAD_PARAMETER	The Object parameter is NULL.
AE_NOT_EXIST	The table is not actually loaded at this time.
AE_TYPE	The Object is owned by the DSDT, which cannot be unloaded.

Functional Description:

This function can unload an SSDT or OEMx table via any namespace object that is owned by the table. Unloading the DSDT is not allowed.

This function is primarily intending for hotplug dynamic removal of ACPI tables. It is typically used to remove a table that has been previously loaded via the *AcpiLoadTable* interface.



8.2.8 AcpiGetTableHeader

Get the header portion of a specific installed ACPI table.

ACPI_STATUS

AcpiGetTableHeader (

char	*Signature,
UINT32	Instance,
ACPI_TABLE_HEADER	*OutTableHeader)

PARAMETERS

Signature	A pointer to the 4-character ACPI signature for the requested table.
Instance	For table types that support multiple tables (SSDT and UEFI), the instance of the table to be returned (one based: 1...n). For table types that support only a single table, this parameter must be set to one.
OutTableHeader	A pointer to a location where the table header is to be returned.

RETURN VALUE

Status	Exception code that indicates success or reason for failure.
--------	--

EXCEPTIONS

AE_OK	The table header was successfully located and returned.
AE_BAD_PARAMETER	At least one of the following is true: The Signature pointer is NULL. The OutTableHeader pointer is NULL.
AE_NOT_FOUND	There is no table with this <i>Signature</i> currently loaded, or the table of the specified <i>Instance</i> is not loaded.
AE_TYPE	The table <i>Signature</i> is not supported (RSDP).

Functional Description:

This function obtains the header of an installed ACPI table. The header contains a length field that can be used to determine the size of the buffer needed to contain the entire table. This function is not valid for the RSDP table since it does not have a standard header and is fixed length.

For table types that support more than one table, the *Instance* parameter is used to specify which table header of the given signature should be returned. This parameter is one-based. To retrieve multiple tables, use the sequence 1...n until an exception is returned. For table types that only support single tables, the *Instance* parameter must be set to one.



If the operation fails an appropriate status will be returned and the contents of *OutTableHeader* are undefined.

8.2.9 AcpiGetTable

Obtain a specific installed ACPI table.

ACPI_STATUS

```
AcpiGetTable (
    char                *Signature,
    UINT32              Instance,
    ACPI_TABLE_HEADER **Table)
```

PARAMETERS

Signature	A pointer to the 4-character ACPI signature for the requested table.
Instance	Which table instance, if multiple instances of the table are allowed (SSDT or UEFI). One based (1...n).
Table	A pointer to where the address of the requested ACPI table is returned.

RETURN VALUE

Status	Exception code that indicates success or reason for failure.
--------	--

EXCEPTIONS

AE_OK	The requested table was found and returned.
AE_BAD_PARAMETER	At least one of the following is true: The Signature pointer is NULL. The OutTableHeader pointer is NULL.
AE_NO_ACPI_TABLES	A valid RSDP could not be located.
AE_NOT_FOUND	There is no table with this <i>Signature</i> currently loaded, or the table of the specified <i>Instance</i> is not loaded.
AE_NO_MEMORY	Insufficient dynamic memory to complete the operation.

Functional Description:

This function locates and returns one of the ACPI tables that are supplied by the system firmware. On IA-32 systems, this involves scanning within the first megabyte of physical memory for the RSDP signature.

This function may be called at any time after the Table Manager is initialized, even before the ACPICA subsystem has been initialized. This allows early access to ACPI tables -- even before the system virtual memory manager has been started.



For table types that support more than one table, the *Instance* parameter is used to specify which table of the given signature should be returned. This parameter is one-based. To retrieve multiple tables, use the sequence 1...n until an exception is returned. For table types that only support single tables, the *Instance* parameter must be set to one.

If the operation fails an appropriate status will be returned and the value of *Table* is undefined.

8.2.10 AcpiGetTableByIndex

Obtain an installed ACPI table via an index into the Root Table
--

ACPI_STATUS

```
AcpiGetTableByIndex (
    UINT32                TableIndex,
    ACPI_TABLE_HEADER    **OutTable)
```

PARAMETERS

TableIndex	Index of the table within the internal Root Table list.
OutTable	A pointer to location where the table is to be returned.

RETURN VALUE

Status	Exception code that indicates success or reason for failure.
--------	--

EXCEPTIONS

AE_OK	The table was successfully located and returned.
AE_BAD_PARAMETER	At least one of the following is true: The <i>OutTable</i> pointer is NULL.
AE_NOT_EXIST	There is no table of this type currently loaded, or the table of the specified Instance is not loaded.

Functional Description:

This function obtains an installed ACPI table. It is useful for iterating through the entire set of installed ACPI tables. To obtain a specific ACPI table, use *AcpiGetTable* or *AcpiGetTableHeader*.

If the operation fails an appropriate status will be returned and the contents of *OutTable* is undefined.



8.2.11 AcpInstallTableHandler

Install a global handler for ACPI table load and unload events.

```
ACPI_STATUS
AcpInstallTableHandler (
    ACPI_TABLE_HANDLER    Handler,
    void                  *Context)
```

PARAMETERS

Handler	Address of the handler to be installed.
Context	A context value that will be passed to the handler as a parameter.

RETURN VALUE

Status	Exception code that indicates success or reason for failure.
--------	--

EXCEPTIONS

AE_OK	The handler was successfully installed.
AE_BAD_PARAMETER	At least one of the following is true: The <i>Handler</i> pointer is NULL.
AE_ALREADY_EXISTS	A global table handler is already installed.

Functional Description:

This function installs a global handler for table load/unload events.

8.2.11.1 Interface to the Table Event Handler

Definition of the handler interface for Table Events.

```
typedef
ACPI_STATUS (*ACPI_TABLE_HANDLER) (
    UINT32    Event,
    void      *Table,
    void      *Context)
```

PARAMETERS

Event	The table event that occurred. One of these manifest constants: ACPI_TABLE_EVENT_LOAD – The table was just loaded.
-------	--



	ACPI_TABLE_EVENT_UNLOAD – The table is about to be unloaded.
Table	The table that was either just loaded or is about to be unloaded.
Context	The Context value that was passed as a parameter to the <code>AcpiInstallTableHandler</code> function.

RETURN VALUE

None

Functional Description:

This handler is installed via `AcpiInstallTableHandler`. It is called whenever an ACPI table is either loaded or unloaded.

This function **does not** execute in the context of an interrupt handler.

8.2.12 AcpiRemoveTableHandler

Remove a handler for ACPI table events.
--

ACPI_STATUS

AcpiRemoveTableHandler (
ACPI_TABLE_HANDLER **Handler**)

PARAMETERS

Handler	Address of the previously installed handler.
---------	--

RETURN VALUE

Status	Exception code that indicates success or reason for failure.
--------	--

EXCEPTIONS

AE_OK	The handler was successfully removed.
AE_BAD_PARAMETER	At least one of the following is true: The Handler pointer is NULL. The Handler address is not the same as the one that is installed.
AE_NOT_EXIST	There is no handler installed for notifications on this object.

Functional Description:

This function removes a handler for notify events that was previously installed via a call to `AcpiInstallTableHandler`.



8.3 ACPI Namespace Management

8.3.1 AcpiEvaluateObject

Evaluate an ACPI namespace object and return the result.

ACPI_STATUS

AcpiEvaluateObject (Object,
ACPI_HANDLE	Pathname,
ACPI_STRING	*MethodParams,
ACPI_OBJECT_LIST	*ReturnBuffer)
ACPI_BUFFER	

PARAMETERS

Object	One of the following: A handle to the object to be evaluated. A handle to a parent object that is a prefix to the pathname. A NULL handle if the pathname is fully qualified.
Pathname	Pathname of namespace object to evaluate. May be either an absolute path or a path relative to the Object.
MethodParams	If the object is a control method, this is a pointer to a list of parameters to pass to the method. This pointer may be NULL if no parameters are being passed to the method or if the object is not a method.
ReturnBuffer	A pointer to a location where the return value of the object evaluation (if any) is placed. If this pointer is NULL, no value is returned.

RETURN VALUE

Status	Exception code that indicates success or reason for failure.
--------	--

EXCEPTIONS

AE_OK	The object was successfully evaluated.
AE_LIMIT	More than the maximum number of 7 arguments were passed to a method.
AE_AML_ERROR	An unspecified error occurred during the parsing of the AML code.
AE_AML_PARSE	The control method could not be parsed due to invalid AML code.



AE_AML_BAD_OPCODE	An invalid opcode was encountered in the AML code.
AE_AML_NO_OPERAND	An required operand was missing. This could be caused by a method that does not return any object.
AE_AML_OPERAND_TYPE	An operand object is not of the required ACPI type.
AE_AML_OPERAND_VALUE	An operand object has an invalid value
AE_AML_UNINITIALIZED_LOCAL	A method attempted to access a local variable that was not initialized.
AE_AML_UNINITIALIZED_ARG	A method attempted to access an argument that was not part of the argument list, or was not passed into the method properly.
AE_AML_UNINITIALIZED_ELEMENT	A method attempted to use (dereference) a reference to an element of a package object that is empty (uninitialized).
AE_AML_NUMERIC_OVERFLOW	An overflow occurred during a numeric conversion (Such as BCD conversion.)
AE_AML_REGION_LIMIT	A method attempted to access beyond the end of an Operation Region defined boundary.
AE_AML_BUFFER_LIMIT	A method attempted to access beyond the end of a Buffer object.
AE_AML_PACKAGE_LIMIT	A method attempted to access beyond the end of a Package object.
AE_AML_DIVIDE_BY_ZERO	A method attempted to execute a divide instruction with a zero divisor.
AE_AML_BAD_NAME	A name contained within the AML code has one or more invalid characters.
AE_AML_NAME_NOT_FOUND	A name reference within the AML code could not be found and therefore could not be resolved.
AE_AML_INTERNAL	An error that is internal to the ACPICA subsystem occurred.
AE_BAD_CHARACTER	An invalid character was found in the Pathname parameter.
AE_BAD_DATA	Bad or invalid data was found in a package object.
AE_BAD_PATHNAME	The path contains at least one ACPI name that is not exactly four characters long.
AE_BAD_PARAMETER	At least one of the following is true: Both the <i>Object</i> and <i>Pathname</i> parameters are NULL.



	The <i>Object</i> handle is NULL, but the <i>Pathname</i> is not absolute.
	The <i>Pathname</i> is relative but the <i>Object</i> is invalid.
	The <i>Length</i> field of <i>OutBuffer</i> is not ACPI_ALLOCATE_BUFFER, but the <i>Pointer</i> field of <i>OutBuffer</i> is NULL.
AE_BUFFER_OVERFLOW	The Length field of the ReturnBuffer is too small to hold the actual returned object. Upon return, the Length field contains the minimum required buffer length.
AE_ERROR	An unspecified error occurred.
AE_NO_MEMORY	Insufficient dynamic memory to complete the request.
AE_NOT_FOUND	The object referenced by the combination of the Object and Pathname was not found within the namespace.
AE_NULL_OBJECT	A required object was missing. This is an internal error.
AE_STACK_OVERFLOW	An internal stack overflow occurred because of an error in the AML, or because control methods or objects are nested too deep.
AE_STACK_UNDERFLOW	An internal stack underflow occurred during evaluation.
AE_TYPE	The object is of a type that cannot be evaluated.

Functional Description:

This function locates and evaluates objects in the namespace. This interface has two modes of operation, depending on the type of object that is being evaluated:

1. If the target object is a control method, the method is executed and the result (if any) is returned.
2. If the target is not a control method, the current “value” of that object is returned. The type of the returned value corresponds to the type of the object; for example, the object (and the corresponding returned result) may be a Integer, a String, or a Buffer.

Specifying a Target Object: The target object may be any valid named ACPI object. To specify the object, a valid *Object*, a valid *Pathname*, or both may be provided. However, at least one of these parameters must be valid.

If the *Object* is NULL, the *Pathname* must be a fully qualified (absolute) namespace path.

If the *Object* is non-NULL, the *Pathname* may be either:

1. A path relative to the *Object* handle (a *relative* pathname as defined in the ACPI specification)
2. An absolute pathname. In this case, the *Object* handle is ignored.



Parameters to Control Methods: If the object to be evaluated is a control method, the caller can supply zero or more parameters that will be passed to the method when it is executed.. The *MethodParams* parameter is a pointer to an *ACPI_OBJECT_LIST* that in turn is a counted array of *ACPI_OBJECT*s. If *MethodParams* is NULL, then no parameters are passed to the control method. If the *Count* field of *MethodParams* is zero, then the entire parameter is treated exactly as if it is a NULL pointer. If the object to be evaluated is not a control method, the *MethodParams* field is ignored.

Receiving Evaluation Results: The *ReturnObject* parameter optionally receives the results of the object evaluation. If this parameter is NULL, the evaluation results are not returned and are discarded. If there is no result from the evaluation of the object and no error occurred, the *Length* field of the *ReturnObject* parameter is set to zero.

Unsupported Object Types: The object types that cannot be evaluated are the following: *ACPI_TYPE_DEVICE*. Others TBD.

Exceptional Conditions: Any exceptions that occur during the execution of a control method result in the immediate termination of the control methods. All nested control methods are also terminated, up to and including the parent method.

EXAMPLES

Example 1: Executing the control method with an absolute path, two input parameters, with no return value expected:

```
ACPI_OBJECT_LIST    Params;
ACPI_OBJECT         Obj[2];

/* Initialize the parameter list */

Params.Count = 2;
Params.Pointer = &Obj;

/* Initialize the parameter objects */

Obj[0].Type = ACPI_TYPE_STRING;
Obj[0].String.Pointer = "ACPI User";

Obj[1].Type = ACPI_TYPE_NUMBER;
Obj[1].Number.Value = 0x0E00200A;

/* Execute the control method */

Status = AcpiEvaluateObject (NULL, "\\_SB.PCI0._TWO" , &Params, NULL);
```

Example 2: Before executing a control method that returns a result, we must declare and initialize an *ACPI_BUFFER* to contain the return value:

```
ACPI_BUFFER         Results;
ACPI_OBJECT         Obj;

/* Initialize the return buffer structure */

Results.Length = sizeof (Obj);
Results.Pointer = &Obj;
```

The three examples that follow are functionally identical.



Example 3: Executing a control method using an absolute path. In this example, there are no input parameters, but a return value is expected.

```
Status = AcpiEvaluateObject (NULL, "\\_SB.PCI0._STA" , NULL, &Results);
```

Example 4: Executing a control method using a relative path. A return value is expected.

```
Status = AcpiPathnameToHandle ("\\_SB.PCI0", &Object)
Status = AcpiEvaluateObject (Object, "_STA" , NULL, &Results);
```

Example 5: Executing a control method using a relative path. A return value is expected.

```
Status = AcpiPathnameToHandle ("\\_SB.PCI0._STA", &Object)
Status = AcpiEvaluateObject (Object, NULL, NULL, &Results);
```

8.3.2 AcpiEvaluateObjectTyped

Evaluate an ACPI namespace object and return the type-validated result.

ACPI_STATUS

```
AcpiEvaluateObjectTyped (
    ACPI_HANDLE      Object,
    ACPI_STRING      Pathname,
    ACPI_OBJECT_LIST *MethodParams,
    ACPI_BUFFER      *ReturnBuffer,
    ACPI_OBJECT_TYPE ReturnType)
```

PARAMETERS

Object	One of the following: A handle to the object to be evaluated. A handle to a parent object that is a prefix to the pathname. A NULL handle if the pathname is fully qualified.
Pathname	Pathname of namespace object to evaluate. May be either an absolute path or a path relative to the Object.
MethodParams	If the object is a control method, this is a pointer to a list of parameters to pass to the method. This pointer may be NULL if no parameters are being passed to the method or if the object is not a method.
ReturnBuffer	A pointer to a location where the return value of the object evaluation (if any) is placed. If this pointer is NULL, no value is returned.
ReturnType	The expected type of the returned object.

RETURN VALUE

Status	Exception code that indicates success or reason for failure.
--------	--

**EXCEPTIONS**

AE_OK	The object was successfully evaluated and the correct object type was returned.
AE_NULL_OBJECT	No object was returned from the evaluation.
AE_TYPE	An object of the incorrect type was returned.
Others	See the definition of <code>AcpiEvaluateObject</code> .

Functional Description:

This function locates and evaluates objects in the namespace and validates that the object returned from the evaluation is of the expected type. It is a front-end to `AcpiEvaluateObject`. See the description of `AcpiEvaluateObject` for more information.

8.3.3 AcpiGetObjectInfo

Get information about an ACPI namespace object.

ACPI_STATUS

AcpiGetObjectInfo (
ACPI_HANDLE Object,
ACPI_DEVICE_INFO **OutBuffer)

PARAMETERS

Object	A handle to an ACPI object for which information is to be returned.
OutBuffer	A pointer to a location where the device info pointer is returned.

RETURN

Status	Exception code that indicates success or reason for failure.
--------	--

EXCEPTIONS

AE_OK	Device info was successfully returned. See the <code>ACPI_DEVICE_INFO</code> structure for valid returned fields.
AE_BAD_PARAMETER	At least one of the following is true: The <i>Object</i> handle is invalid. The <i>OutBuffer</i> pointer is NULL.
AE_NO_MEMORY	Insufficient dynamic memory to complete the operation.



Functional Description:

This function obtains information about an object contained within the ACPI namespace. For all namespace objects, the following information is returned:

Type	—	The ACPI object type (ACPI_TYPE_INTEGER , etc.)
Name	—	The 4-character ACPI name of the object

For Control Method objects, this additional information is returned:

ParamCount	—	The required number of input parameters
------------	---	---

For Device and Processor objects, this additional information is returned as a result of evaluating the following standard ACPI device methods and objects on behalf of the device:

_ADR	—	The address of the object (bus and device specific)
_STA	—	The current status of the object/device
_HID	—	The hardware ID of the object (string)
_UID	—	The Unique ID of the object (string)
_SUB	—	The Subsystem ID of the object (string) (ACPI 5.0)
_CID	—	The Compatibility ID list of the object (strings)
_SxW	—	Methods that return the lowest D-state values (_S0W , _S1W , _S2W , _S3W , _S4W)
_SxD	—	Methods that return the highest D-state values (_S1D , _S2D , _S3D , _S4D)

Returned Data Format: The device information is returned in the **ACPI_DEVICE_INFO** structure that is defined as follows:

```
typedef struct
{
    UINT32                InfoSize;
    UINT32                Name;
    ACPI_OBJECT_TYPE     Type;
    UINT8                ParamCount;
    UINT8                Valid;
    UINT8                Flags;
    UINT8                HighestDstates[4];
    UINT8                LowestDstates[5];
    UINT32               CurrentStatus;
    UINT64               Address;
    ACPI_PNP_DEVICE_ID   HardwareId;
    ACPI_PNP_DEVICE_ID   UniqueId;
    ACPI_PNP_DEVICE_ID   SubsystemId;
    ACPI_PNP_DEVICE_ID_LIST CompatibleIdList;
} ACPI_DEVICE_INFO;
```

Where:

InfoSize	Entire size of the returned structure, including all ID strings that are appended to the end of the structure.
Name	The 4-character ACPI name of the object.
Type	Is the object type code.



ParamCount	If the object is a control method, this is the number of parameters defined for the method.
Valid	A bit field that indicates which of the optional fields below contain valid values. See below.
Flags	Miscellaneous information flags. The following flags are defined: ACPI_PCI_ROOT_BRIDGE : Indicates that either the _HID or one of the _CID values matched either PNP0A03 (PCI root bridge) or PNP0A08 (PCI Express root bridge)
HighestDstates	_SxD device state values. 0xFF indicates that the field is invalid.
LowestDstates	_SxW device wake state values. 0xFF indicates that the field is invalid.
CurrentStatus	The result of evaluating _STA method for this object. If a _STA object does not exist for this device, then this status field will indicate that the device is <i>present, functional, and enabled</i> – as per the ACPI specification.
Address	The result of evaluating _ADR for this object.
HardwareId	A pointer to the string obtained as a result of evaluating _HID for this object.
UniqueId	A pointer to the string obtained as a result of evaluating _UID for this object.
SubsystemId	A pointer to the string obtained as a result of evaluating _SUB for this object.
CompatibleIds	An array of pointers to the string(s) obtained as a result of evaluating _CID for this object (a list of _CIDs .)

The fields of the structure that are valid because the corresponding method or object has been successfully found under the device are indicated by the values of the *Valid* bitfield via the following constants:

```
ACPI_VALID_ADR
ACPI_VALID_STA
ACPI_VALID_HID
ACPI_VALID_UID
ACPI_VALID_SUB
ACPI_VALID_CID
ACPI_VALID_SXDS
ACPI_VALID_SXWS
```

Each bit should be checked before the corresponding value in the structure can be considered valid. **None** of the methods/objects that are used by this interface are *required* by the ACPI specification. Therefore, there is no guarantee that all or even any of them are available for a particular device. Even if none of the methods are found, the interface will return an **AE_OK** status — but none of the bits set in the *Valid* field return structure will be set.



The sub-structures used for the variable-length PNP device ID strings are defined as follows:

```
typedef struct
{
    UINT32          Length;    /* Length of string + null */
    char           *String;

} ACPI_PNP_DEVICE_ID;

typedef struct
{
    UINT32          Count;     /* Number of IDs in Ids array */
    UINT32          ListSize; /* Size of list, including ID strings */
    ACPI_PNP_DEVICE_ID Ids[1]; /* ID array */

} ACPI_PNP_DEVICE_ID_LIST;
```

Within the original ACPI tables, the **_HID**, **_UID**, and **_CID** values can be of either type **ACPI_TYPE_STRING** or **ACPI_TYPE_INTEGER**. However, in order to provide a consistent data type in the external interface, these values are always returned as NULL terminated strings, regardless of the original data type in the source ACPI table. An internal data type conversion is performed if necessary, as follows:

- 32-bit compressed **EISAIDs** within **_HID** and **_CID** objects are decompressed and converted to strings.
- 64-bit integer IDs within **_UID** objects are converted to decimal string representation.

The object returned from this function should be freed via **ACPI_FREE**.

Note: The string pointers for **_HID**, **_UID**, **SUB**, and **_CID** simply point to a reserved area within the returned buffer after the **ACPI_DEVICE_INFO** structure. When the return object is freed, these pointers will become invalid.

8.3.4 AcpiGetNextObject

Get a handle to the next child ACPI object of a parent object.

```
ACPI_STATUS
AcpiGetNextObject (
    ACPI_OBJECT_TYPE    Type,
    ACPI_HANDLE         Parent,
    ACPI_HANDLE         Child,
    ACPI_HANDLE         *OutHandle)
```

PARAMETERS

Type	The desired type of the next object.
Parent	A handle to a parent object to be searched for the next child object.
Child	A handle to a child object. The next child object of the parent object that matches the Type will be returned. Use the value of NULL to get the first child of the parent.



OutHandle A pointer to a location where a handle to the next child object is to be returned. If this pointer is NULL, the child object handle is not returned.

RETURN VALUE

Status Exception code that indicates success or reason for failure.

EXCEPTIONS

AE_OK The next object was successfully found and returned.

AE_BAD_PARAMETER At least one of the following is true:

The *Parent* handle is invalid.

The *Child* handle is invalid.

The *Type* parameter refers to an invalid type.

AE_NOT_FOUND The child object parameter is the last object of the given type within the parent — a next child object was not found. If *Child* is NULL, this exception means that the parent object has no children.

Functional Description:

This function obtains the next child object of the parent object that is of type *Type*. Both the *Parent* and the *Child* parameters are optional. The behavior for the various combinations of *Parent* and *Child* is as follows:

1. If the *Child* is non-NULL, it is used as the starting point (the *current object*) for the search.
2. If the *Child* is NULL and the *Parent* is non-NULL, the search is performed starting at the beginning of the scope.
3. If both the *Parent* and the *Child* parameters are NULL, the search begins at the start of the namespace (the search begins at the *Root Object*).

If the search fails, an appropriate status will be returned and the value of *OutHandle* is undefined.

This interface is appropriate for use within a loop that looks up a group of objects within the internal namespace. However, the *AcpiWalkNamespace* primitive implements such a loop and may be simpler to use in your application; see the description of this interface for additional details.



8.3.5 AcpiGetParent

Get a handle to the parent object of an ACPI object.

ACPI_STATUS

AcpiGetParent (

ACPI_HANDLE

ACPI_HANDLE

Child,

*OutParent)

PARAMETERS

Child	A handle to an object whose parent is to be returned.
OutParent	A pointer to a location where the handle to the parent object is to be returned.

RETURN VALUE

Status	Exception code that indicates success or reason for failure.
--------	--

EXCEPTIONS

AE_OK	The parent object was successfully found and returned.
AE_BAD_PARAMETER	At least one of the following is true: The <i>Child</i> handle is invalid. The <i>OutParent</i> pointer is NULL.
AE_NULL_ENTRY	The referenced object has no parent. (Entries at the root level do not have a parent object.)

Functional Description:

This function returns a handle to the parent of the *Child* object. If an error occurs, a status code is returned and the value of *OutParent* is undefined.

8.3.6 AcpiGetType

Get the type of an ACPI object.

ACPI_STATUS

AcpiGetType (

ACPI_HANDLE

ACPI_OBJECT_TYPE

Object,

*OutType)

PARAMETERS

Object	A handle to an object whose type is to be returned.
--------	---



OutType	A pointer to a location where the object type is to be returned.
---------	--

RETURN

Status	Exception code that indicates success or reason for failure.
--------	--

EXCEPTIONS

AE_OK	The object type was successfully returned.
-------	--

AE_BAD_PARAMETER	At least one of the following is true:
------------------	--

	The <i>Object</i> handle is invalid.
--	--------------------------------------

	The <i>OutType</i> pointer is NULL.
--	-------------------------------------

Functional Description:

This function obtains the type of an ACPI namespace object. See the definition of the **ACPI_OBJECT_TYPE** for a comprehensive listing of the available object types.

8.3.7 AcpiGetHandle

Get the object handle associated with an ACPI name.
--

ACPI_STATUS

AcpiGetHandle (Parent,
ACPI_HANDLE	Pathname,
ACPI_STRING	*OutHandle)
ACPI_HANDLE	

PARAMETERS

Parent	A handle to the parent of the object specified by Pathname. In other words, the Pathname is relative to the Parent. If Parent is NULL, the pathname must be a fully qualified pathname.
--------	---

Pathname	A name or pathname to an ACPI object (a NULL terminated ASCII string). The string can be either a single segment ACPI name or a multiple segment ACPI pathname (with path separators).
----------	--

OutHandle	A pointer to a location where a handle to the object is to be returned.
-----------	---

RETURN VALUE

Status	Exception code that indicates success or reason for failure.
--------	--



EXCEPTIONS

AE_OK	The pathname was successfully associated with an object and the handle was returned.
AE_BAD_CHARACTER	An invalid character was found in the pathname.
AE_BAD_PATHNAME	The path contains at least one ACPI name that is not exactly four characters long.
AE_BAD_PARAMETER	At least one of the following is true: The <i>Pathname</i> pointer is NULL. The <i>Pathname</i> does not begin with a backslash character. The <i>OutHandle</i> pointer is NULL.
AE_NO_NAMESPACE	The namespace has not been successfully loaded.
AE_NOT_FOUND	One or more of the segments of the pathname refers to a non-existent object.

Functional Description:

This function translates an ACPI pathname into an object handle. It locates the object in the namespace via the combination of the *Parent* and *Pathame* parameters. Only the specified *Parent* object will be searched for the name — this function will not perform a walk of the namespace tree (See *AcpiWalkNamespace*).

The pathname is relative to the *Parent*. If the parent object is NULL, the *Pathname* must be fully qualified (absolute), meaning that the path to the object must be a complete path from the root of the namespace, and the pathname must begin with a backslash ('\').

Multiple instances of the same name under a given parent (within a given scope) are not allowed by the ACPI specification. However, if more than one instance of a particular name were to appear under a single parent in the ACPI DSDT, only the first one would be successfully loaded into the internal namespace. The second attempt to load the name would collide with the first instance of the name, and the second instance would be ignored.

If the operation fails an appropriate status will be returned and the value of *OutHandle* is undefined.



8.3.8 AcpiGetName

Get the name of an ACPI object.

ACPI_STATUS

AcpiGetName (

ACPI_HANDLE

UINT32

ACPI_BUFFER

Object,

NameType,

*OutName)

PARAMETERS

Object

A handle to an object whose name or pathname is to be returned.

NameType

The type of name to return; must be one of these manifest constants:

ACPI_FULL_PATHNAME – return a complete pathname (from the namespace root) to the object.

ACPI_SINGLE_NAME – return a single segment ACPI name for the object (4 characters, null terminated).

OutName

A pointer to a location where the fully qualified and NULL terminated name or pathname is to be returned.

RETURN VALUE

Status

Exception code that indicates success or reason for failure.

EXCEPTIONS

AE_OK

The full pathname associated with the handle was successfully retrieved and returned.

AE_BAD_PARAMETER

At least one of the following is true:

The Parent handle is invalid.

The Object handle is invalid.

The OutName pointer is NULL.

The *Length* field of *OutName* is not **ACPI_ALLOCATE_BUFFER**, but the *Pointer* field of *OutName* is NULL.

AE_BUFFER_OVERFLOW

The *Length* field of *OutName* indicates that the buffer is too small to hold the actual pathname. Upon return, the *Length* field contains the minimum required buffer length.

AE_NO_NAMESPACE

The namespace has not been successfully loaded.



Functional Description:

This function obtains the name that is associated with the *Object* parameter. The returned name can be either a full pathname (from the root, with path segment separators) or a single segment, 4-character ACPI name. This function and *AcpiGetHandle* are complementary functions, as shown in the examples below.

EXAMPLES

Example 1: The following operations:

```
Status = AcpiGetName (Handle, ACPI_FULL_PATHNAME, &OutName)
Status = AcpiGetHandle (NULL, OutName.BufferPtr, &OutHandle))
```

Yield this result:

```
Handle == OutHandle;
```

Example 2: If Name is a 4-character ACPI name, the following operations:

```
Status = AcpiGetHandle (Parent, Name, &OutHandle))
Status = AcpiGetName (OutHandle, ACPI_SINGLE_NAME, &OutName)
```

Yield this result:

```
Name == OutName.BufferPtr
```

8.3.9 AcpiGetDevices

Walk the ACPI namespace to find all objects of type Device.

ACPI_STATUS

AcpiGetDevices (

```
char
ACPI_WALK_CALLBACK
void
void
*HID,
UserFunction,
*UserContext,
**ReturnValue)
```

PARAMETERS

HID	A device Hardware ID to search for. If NULL, all objects of type Device are passed to the UserFunction.
UserFunction	A pointer to a function that is called when the namespace object is deleted:
UserContext	A value that will be passed as a parameter to the user function each time it is invoked.
ReturnValue	A pointer to a location where the (void *) return value from the UserFunction is to be placed if the walk was terminated early. Otherwise, NULL is returned.

**RETURN VALUE**

Status	Exception code that indicates success or reason for failure.
--------	--

EXCEPTIONS

AE_OK	The walk was successful. Termination occurred from completion of the walk or by the user function, depending on the value of the return parameter.
AE_BAD_PARAMETER	The <i>UserFunction</i> address is NULL.

Functional Description:

This function performs a modified depth-first walk of the namespace tree. The *UserFunction* is invoked whenever an object of type Device with a matching HID is found. If the user function returns a non-zero value, the search is terminated immediately and this value is returned to the caller.

If the HID parameter is NULL, all objects of type Device within the namespace are passed to the User Function.

8.3.10 AcpiAttachData

Attach user data to an ACPI namespace object.

ACPI_STATUS

AcpiAttachData (
ACPI_HANDLE	Object,
ACPI_OBJECT_HANDLER	Handler,
void	*Data)

PARAMETERS

Object	A handle to an object to which the data will be attached.
Handler	A pointer to a function that is called when the namespace object is deleted.
Data	A pointer to arbitrary user data. The pointer is stored in the namespace with the namespace object and can be retrieved at any time via <i>AcpiGetData</i> .

RETURN VALUE

Status	Exception code that indicates success or reason for failure.
--------	--

EXCEPTIONS

AE_OK	The data was successfully attached.
AE_BAD_PARAMETER	At least one of the following is true:



	The Object handle is invalid.
	The <i>Handler</i> pointer is NULL.
	The <i>Data</i> pointer is NULL.
AE_NO_MEMORY	Insufficient dynamic memory to complete the operation.
AE_NO_NAMESPACE	The namespace has not been successfully loaded.

Functional Description:

This function allows arbitrary data to be associated with a namespace object.

8.3.11 AcpiDetachData

Remove a data attachment to a namespace object.

ACPI_STATUS
AcpiAttachData (
 ACPI_HANDLE **Object,**
 ACPI_OBJECT_HANDLER **Handler)**

PARAMETERS

Object	A handle to an object to which the data will be attached.
Handler	A pointer to a function that is called when the namespace object is deleted. This must be the same pointer used when the original call to <i>AcpiAttachData</i> was used.

RETURN VALUE

Status	Exception code that indicates success or reason for failure.
--------	--

EXCEPTIONS

AE_OK	The data was successfully detached.
AE_BAD_PARAMETER	At least one of the following is true: The Object handle is invalid. The <i>Handler</i> pointer is NULL.
AE_NO_NAMESPACE	The namespace has not been successfully loaded.

Functional Description:

This function removes a previous association between user data and a namespace object.



8.3.12 AcpiGetData

Retrieve data that was associated with a namespace object.

ACPI_STATUS

```
AcpiGetData (  
    ACPI_HANDLE          Object,  
    ACPI_OBJECT_HANDLER Handler  
    void                 **Data)
```

PARAMETERS

Object	A handle to an object to from which the attached data will be returned.
Handler	A pointer to a function that is called when the namespace object is deleted: This must be the same pointer used when the original call to <i>AcpiAttachData</i> was used.
Data	A pointer to where the arbitrary user data pointer will be returned. The pointer is stored in the namespace with the namespace object.

RETURN VALUE

Status	Exception code that indicates success or reason for failure.
--------	--

EXCEPTIONS

AE_OK	The data was successfully returned.
AE_BAD_PARAMETER	At least one of the following is true: The Object handle is invalid. The <i>Handler</i> pointer is NULL. The <i>Data</i> pointer is NULL.
AE_NO_MEMORY	Insufficient dynamic memory to complete the operation.
AE_NO_NAMESPACE	The namespace has not been successfully loaded.

Functional Description:

This function retrieves data that was previously associated with a namespace object.



8.3.13 AcpInstallMethod

Install a single control method into the namespace.

ACPI_STATUS
AcpInstallMethod (
UINT8

***TableBuffer)**

PARAMETERS

TableBuffer	A pointer to a buffer containing a DSDT or SSDT table which in turn contains a single control method.
-------------	---

RETURN VALUE

Status	Exception code that indicates success or reason for failure.
--------	--

EXCEPTIONS

AE_OK	The method was successfully installed.
AE_BAD_HEADER	The buffer does not contain a valid ACPI table, or the table is not a DSDT or SSDT.
AE_BAD_PARAMETER	At least one of the following is true: The <i>TableBuffer</i> pointer is NULL. The table does not contain a valid control method as the first (and only) element of the table.
AE_NO_MEMORY	Insufficient dynamic memory to complete the operation.
AE_TYPE	The name of the method already exists in the namespace, but the name is not an object of type method and cannot be overwritten.

Functional Description:

This function installs a single control method into the ACPI namespace. It is intended to override an existing method which may not work correctly or it can insert a completely new method in order to create a missing method such as **_OFF**, **_ON**, **_STA**, **_INI**, etc. It can also be used to insert a method for debugging purposes. For these cases, it is far simpler to dynamically install a single control method rather than override the entire DSDT with a modified DSDT.

AcpInstallMethod can be used to create a new method anywhere in the namespace or to overwrite the AML for any existing control method. The name (and location) for the new method is defined within the AML contained in the ACPI table pointed to by the *TableBuffer* parameter. Either single (4 character) ACPI names may be used, or full ACPI pathnames may be used, each segment separated by periods. This function should be called only after all BIOS-defined ACPI tables have been loaded and the namespace has been created.



The method must be defined and compiled within a DSDT or SSDT. The resulting table is then passed as the parameter to *AcpiInstallMethod*. If the method needs to reference any objects that already exist within the namespace, the ASL **External** operator should be used.

Example

The example ASL code below creates a DSDT that contains one method with the name “_SI_ABCD”. The name dictates where the method will be created within the namespace, and can be a full pathname that references any portion of the namespace.

```
DefinitionBlock ("", "DSDT", 2, "Intel", "MTHDTEST", 0x20090512)
{
    Method (\_SI_ABCD, 1, Serialized)
    {
        Store ("Example installed method", Debug)
        Store (Arg0, Debug)
        Return ()
    }
}
```

The example is compiled via the iASL compiler using the “-tc” option to create a C hex file:

```
> iasl -tc method.asl
```

This produces the following output, which is “C” code that can be included into a C source file:

```
/*
 * Intel ACPI Component Architecture
 * ASL Optimizing Compiler version 20090422 [April 22 2009]
 * Copyright (C) 2000 - 2009 Intel Corporation
 * Supports ACPI Specification Revision 3.0a
 *
 * Compilation of "method.asl" - Tue May 12 14:55:53 2009
 *
 * C source code output
 */
unsigned char AmlCode[] =
{
    0x44,0x53,0x44,0x54,0x53,0x00,0x00,0x00, /* 00000000 "DSDTS..." */
    0x02,0x12,0x49,0x6E,0x74,0x65,0x6C,0x00, /* 00000008 "..Intel." */
    0x4D,0x54,0x48,0x44,0x54,0x45,0x53,0x54, /* 00000010 "MTHDTEST" */
    0x12,0x05,0x09,0x20,0x49,0x4E,0x54,0x4C, /* 00000018 "... INTL" */
    0x22,0x04,0x09,0x20,0x14,0x2E,0x2E,0x5F, /* 00000020 "... .._" */
    0x53,0x49,0x5F,0x41,0x42,0x43,0x44,0x09, /* 00000028 "SI_ABCD." */
    0x70,0x0D,0x45,0x78,0x61,0x6D,0x70,0x6C, /* 00000030 "p.Exampl" */
    0x65,0x20,0x69,0x6E,0x73,0x74,0x61,0x6C, /* 00000038 "e instal" */
    0x6C,0x65,0x64,0x20,0x6D,0x65,0x74,0x68, /* 00000040 "led meth" */
    0x6F,0x64,0x00,0x5B,0x31,0x70,0x68,0x5B, /* 00000048 "od.[lph[" */
    0x31,0xA4,0x00,
};
```

The buffer above is then used in a call to *AcpiInstallMethod*, as shown in the example code below:

```
Status = AcpiInstallMethod (AmlCode);
if (ACPI_FAILURE (Status))
{
    AcpiOsPrintf ("%s, Could not install method\n",
        AcpiFormatException (Status));
}
```



8.3.14 AcpiWalkNamespace

Traverse a portion of the ACPI namespace to find objects of a given type.

ACPI_STATUS

```

AcpiWalkNamespace (
    ACPI_OBJECT_TYPE      Type,
    ACPI_HANDLE           StartObject,
    UINT32                MaxDepth,
    ACPI_WALK_CALLBACK    DescendingCallback,
    ACPI_WALK_CALLBACK    AscendingCallback,
    void                  *UserContext,
    void                  **ReturnValue
)

```

PARAMETERS

Type	The type of object desired.
StartObject	A handle to an object where the namespace walk is to begin. The constant ACPI_ROOT_OBJECT indicates to start the walk at the root of the namespace (walk the entire namespace.)
MaxDepth	The maximum number of levels to descend in the namespace during the walk.
DescendingCallback	A pointer to a user-written function that is invoked during tree descent for each matching object that is found. (See the interface specification for the user function below.)
AscendingCallback	A pointer to a user-written function that is invoked during tree ascent for each matching object that is found. (See the interface specification for the user function below.)
UserContext	A value that will be passed as a parameter to the user function each time it is invoked.
ReturnValue	A pointer to a location where the (void *) return value from the UserFunction is to be placed if the walk was terminated early. Otherwise, NULL is returned.

RETURN VALUE

Status	Exception code that indicates success or reason for failure.
--------	--

EXCEPTIONS

AE_OK	The walk was successful. Termination occurred from completion of the walk or by the user function, depending on the value of the return parameter.
AE_BAD_PARAMETER	At least one of the following is true: The <i>MaxDepth</i> is zero.



The *UserFunction* address is NULL.

The *StartObject* handle is invalid.

The *Type* is invalid.

Functional Description:

This function performs a modified depth-first walk of the namespace tree, starting (and ending) at the object specified by the *StartObject* handle. The User Functions (*DescendingCallback* and/or *AscendingCallback*) are invoked whenever an object that matches the type parameter is found during the walk. If the user function returns a non-zero value, the search is terminated immediately and this value is returned to the caller.

The point of this procedure is to provide a generic namespace walk routine that can be called from multiple places to provide multiple services; the user function can be tailored to each task — whether it is a print function, a compare function, etc.

8.3.14.1 Interface to User Callback Function

Interface to the user function that is invoked from AcpiWalkNamespace.

```
ACPI_STATUS (*ACPI_WALK_CALLBACK) (
    ACPI_HANDLE      Object,
    UINT32           NestingLevel,
    void             *Context,
    void             **ReturnValue)
```

PARAMETERS

Object	A handle to an object that matches the search criteria.
Nesting Level	Depth of this object within the namespace (distance from the root.)
Context	The UserContext value that was passed as a parameter to the AcpiWalkNamespace function.
ReturnValue	A pointer to a location where the return value (if any) from the user function is to be stored.

RETURN VALUE

Status	AE_OK	Continue the walk.
	AE_TERMINATE	Stop the walk immediately.
	AE_DEPTH	Go no deeper into the namespace tree.
	All others	Abort the walk with this exception code.



Functional Description:

This function is called from *AcpiWalkNamespace* whenever a object of the desired type is found. The walk can be modified by the exception code returned from this function. **AE_TERMINATE** will abort the walk immediately, and *AcpiWalkNamespace* will return **AE_OK** to the original caller. **AE_DEPTH** will prevent the walk from progressing any deeper down the current branch of the namespace tree. **AE_OK** is the normal return that allows the walk to continue normally. All other exception codes will cause the walk to terminate and the exception is returned to the original caller of *AcpiWalkNamespace*.

8.3.15 AcpiAcquireMutex

Acquire an AML Mutex object.

ACPI_STATUS
AcpiAcquireMutex (
ACPI_HANDLE
ACPI_STRING
UINT16

Parent,
Pathname,
Timeout)

PARAMETERS

Parent	A handle to the parent of the object specified by Pathname. In other words, the Pathname is relative to the Parent. If Parent is NULL, the pathname must be a fully qualified pathname.
Pathname	A name or pathname to an ACPI object (a NULL terminated ASCII string). The string can be either a single segment ACPI name or a multiple segment ACPI pathname (with path separators).
Timeout	Maximum time to wait for the mutex, in milliseconds. A value of 0xFFFF means “wait forever”.

RETURN VALUE

Status	Exception code that indicates success or reason for failure.
--------	--

EXCEPTIONS

AE_OK	The mutex was successfully acquired.
AE_BAD_CHARACTER	An invalid character was found in the pathname.
AE_BAD_PATHNAME	The path contains at least one ACPI name that is not exactly four characters long.
AE_BAD_PARAMETER	At least one of the following is true: The <i>Pathname</i> pointer is NULL. The <i>Pathname</i> does not begin with a backslash character.



	The <i>OutHandle</i> pointer is NULL.
AE_NO_NAMESPACE	The namespace has not been successfully loaded.
AE_NOT_FOUND	One or more of the segments of the pathname refers to a non-existent object.

Functional Description:

This function is intended to be used in conjunction with the *_DLM (Device Lock Method)* predefined name to directly acquire a mutex object that is defined in the ACPI namespace. The purpose of this is to provide a mutual exclusion mechanism between the AML interpreter and an ACPI-related device driver, in order to support multiple-operation transactions.

From the ACPI Specification: “The *_DLM* object appears in a device scope when AML access to the device must be synchronized with the OS environment. It is used in conjunction with a standard Mutex object. With *_DLM*, the standard Mutex provides synchronization within the AML environment as usual, but also synchronizes with the OS environment.”

The AML mutex node is pointed to by Parent:Pathname. Either the Parent or the Pathname can be NULL, but not both.

If the operation fails an appropriate status will be returned.

8.3.16 AcpiReleaseMutex

Release an AML Mutex object.

ACPI_STATUS**AcpiGetHandle (**

ACPI_HANDLE	Parent,
ACPI_STRING	Pathname)

PARAMETERS

Parent	A handle to the parent of the object specified by Pathname. In other words, the Pathname is relative to the Parent. If Parent is NULL, the pathname must be a fully qualified pathname.
Pathname	A name or pathname to an ACPI object (a NULL terminated ASCII string). The string can be either a single segment ACPI name or a multiple segment ACPI pathname (with path separators).

RETURN VALUE

Status	Exception code that indicates success or reason for failure.
--------	--

EXCEPTIONS

AE_OK	The AML mutex was successfully released.
-------	--



AE_BAD_CHARACTER	An invalid character was found in the pathname.
AE_BAD_PATHNAME	The path contains at least one ACPI name that is not exactly four characters long.
AE_BAD_PARAMETER	At least one of the following is true: The <i>Pathname</i> pointer is NULL. The <i>Pathname</i> does not begin with a backslash character. The <i>OutHandle</i> pointer is NULL.
AE_NO_NAMESPACE	The namespace has not been successfully loaded.
AE_NOT_FOUND	One or more of the segments of the pathname refers to a non-existent object.

Functional Description:

This function releases an AML mutex object that was previously acquired via a successful call to *AcpiAcquireMutex*.

If the operation fails an appropriate status will be returned.

8.4 ACPI Hardware Management

8.4.1 AcpiEnable

Put the system into ACPI mode.

ACPI_STATUS

```
AcpiEnable (
    void)
```

PARAMETERS

None

RETURN VALUE

Status	Exception code that indicates success or reason for failure.
--------	--

EXCEPTIONS

AE_OK	ACPI mode was successfully enabled.
AE_ERROR	Either ACPI mode is not supported by this system (legacy mode only), the SCI interrupt handler could not be installed, or the system could not be transitioned into ACPI mode.
AE_NO_ACPI_TABLES	The ACPI tables have not been successfully loaded.



EXCEPTIONS

AE_OK	The reset register was successfully written.
AE_NOT_EXIST	The FADT flags indicate that the reset register is not supported, or the reset register address is zero.

Functional Description:

This function performs a system reset by writing the FADT-defined *Reset Value* to the FADT-defined *Reset Register* (if the register is supported, as indicated by the FADT *Flags*).

Reset registers in both memory and I/O space are supported. A reset register in PCI configuration space is not supported by this function and must be handled by the host.

8.4.4 AcpiReadBitRegister

Get the contents of an ACPI-defined Bit Register.

ACPI_STATUS
AcpiGetRegister (
 UINT32
 UINT32

 RegisterId,
 *ReturnValue)

PARAMETERS

RegisterId	The ID of the desired bit register, one of the following manifest constants: ACPI_BITREG_TIMER_STATUS ACPI_BITREG_BUS_MASTER_STATUS ACPI_BITREG_GLOBAL_LOCK_STATUS ACPI_BITREG_POWER_BUTTON_STATUS ACPI_BITREG_SLEEP_BUTTON_STATUS ACPI_BITREG_RT_CLOCK_STATUS ACPI_BITREG_WAKE_STATUS ACPI_BITREG_PCIEXP_WAKE_STATUS ACPI_BITREG_TIMER_ENABLE ACPI_BITREG_GLOBAL_LOCK_ENABLE ACPI_BITREG_POWER_BUTTON_ENABLE ACPI_BITREG_SLEEP_BUTTON_ENABLE ACPI_BITREG_RT_CLOCK_ENABLE ACPI_BITREG_PCIEXP_WAKE_DISABLE ACPI_BITREG_SCI_ENABLE ACPI_BITREG_BUS_MASTER_RLD ACPI_BITREG_GLOBAL_LOCK_RELEASE ACPI_BITREG_SLEEP_TYPE ACPI_BITREG_SLEEP_ENABLE ACPI_BITREG_ARB_DISABLE
ReturnValue	A pointer to a location where the data is to be returned.

**RETURN VALUE**

Status	Exception code that indicates success or reason for failure.
--------	--

EXCEPTIONS

AE_OK	The register was read successfully.
AE_BAD_PARAMETER	Invalid RegisterId.
Other	The function failed at the operating system level.

Functional Description:

This function reads the bit register specified in the RegisterId. The value returned is normalized to bit zero. Can be used with interrupts enabled or disabled. The hardware is not locked during the read, as it is not necessary

8.4.5 AcpiWriteBitRegister

Set the contents of an ACPI-defined Bit Register.
--

ACPI_STATUS

AcpiSetRegister (
 UINT32
 UINT32

RegisterId,
 Value)

PARAMETERS

RegisterId	The ID of the desired register, one of the following manifest constants:
------------	--

ACPI_BITREG_TIMER_STATUS
ACPI_BITREG_BUS_MASTER_STATUS
ACPI_BITREG_GLOBAL_LOCK_STATUS
ACPI_BITREG_POWER_BUTTON_STATUS
ACPI_BITREG_SLEEP_BUTTON_STATUS
ACPI_BITREG_RT_CLOCK_STATUS
ACPI_BITREG_WAKE_STATUS
ACPI_BITREG_PCIEXP_WAKE_STATUS
ACPI_BITREG_TIMER_ENABLE
ACPI_BITREG_GLOBAL_LOCK_ENABLE
ACPI_BITREG_POWER_BUTTON_ENABLE
ACPI_BITREG_SLEEP_BUTTON_ENABLE
ACPI_BITREG_RT_CLOCK_ENABLE
ACPI_BITREG_PCIEXP_WAKE_DISABLE
ACPI_BITREG_SCI_ENABLE
ACPI_BITREG_BUS_MASTER_RLD
ACPI_BITREG_GLOBAL_LOCK_RELEASE
ACPI_BITREG_SLEEP_TYPE
ACPI_BITREG_SLEEP_ENABLE



8.4.8 AcpiAcquireGlobalLock

Acquire the ACPI Global Lock.

ACPI_STATUS
AcpiAcquireGlobalLock (
 UINT16 **Timeout,**
 UINT32 ***OutHandle)**

PARAMETERS

Timeout	The maximum time (in System Ticks) the caller is willing to wait for the global lock.
OutHandle	A pointer to where a handle to the lock is to be returned. This handle is required to release the global lock.

RETURN VALUE

Status	Exception code that indicates success or reason for failure.
--------	--

EXCEPTIONS

AE_OK	The global lock was successfully acquired.
AE_BAD_PARAMETER	The <i>OutHandle</i> pointer is NULL.
AE_TIME	The global lock could not be acquired within the specified time limit.

Functional Description:

This function obtains exclusive access to the single system-wide ACPI Global Lock. The purpose of the global lock is to ensure exclusive access to resources that must be shared between the operating system and the firmware.

8.4.9 AcpiReleaseGlobalLock

Release the ACPI Global Lock.

ACPI_STATUS
AcpiReleaseGlobalLock (
 UINT32 **Handle)**

PARAMETERS

Handle	The handle that was obtained when the Global Lock was acquired. This allows different threads to acquire and release the lock, as long as they share the handle.
--------	--



8.4.11 AcpiGetTimerDuration

Calculates the time elapsed (in microseconds) between two values of the ACPI Power Management Timer.

ACPI_STATUS

AcpiGetTimer (
 UINT32 **StartTicks,**
 UINT32 **EndTicks,**
 UINT32 ***OutValue)**

PARAMETERS

StartTicks	The value of the PM Timer at the start of a time measurement (obtained by calling AcpiGetTimer).
EndTicks	The value of the PM Timer at the end of a time measurement (obtained by calling AcpiGetTimer).
OutValue	A pointer to where the elapsed time (in microseconds) is to be returned.

RETURN VALUE

Status	Exception code that indicates success or reason for failure.
--------	--

EXCEPTIONS

AE_OK	The time elapsed was successfully calculated and returned.
AE_BAD_PARAMETER	The OutValue pointer is NULL.

Functional Description:

This function calculates and returns the time elapsed (in microseconds) between StartTicks and EndTicks, taking into consideration the PM Timer frequency, resolution, and counter rollovers.

8.4.12 AcpiGetTimer

Get the current value of the ACPI Power Management Timer.

ACPI_STATUS

AcpiGetTimer (
 UINT32 ***OutValue)**

PARAMETERS

OutValue	A pointer to where the current value of the ACPI Timer is to be returned.
----------	---

**RETURN VALUE**

Status	Exception code that indicates success or reason for failure.
--------	--

EXCEPTIONS

AE_OK	The current value of the timer was successfully retrieved and returned.
AE_BAD_PARAMETER	The OutValue pointer is NULL.

Functional Description:

This function returns the current value of the PM Timer (in ticks).

8.5 ACPI Sleep/Wake Support

8.5.1 AcpiSetFirmwareWakingVector

Set the firmware wake vectors.

ACPI_STATUS

AcpiSetFirmwareWakingVector (
UINT32	Address32,
UINT64	Address64)

PARAMETERS

Address32	The 32-bit physical address of the ACPI real mode waking vector
Address32	The 64-bit physical address of the ACPI protected mode waking vector.

RETURN VALUE

Status	Exception code that indicates success or reason for failure.
--------	--

EXCEPTIONS

AE_OK	The vector was set successfully.
AE_NO_ACPI_TABLES	The FACS is not loaded or could not be found.

Functional Description:

This function sets both the 32-bit firmware (ROM BIOS) wake vector and the 64-bit wake vector.

If the function fails an appropriate status will be returned and the value of the waking vector will be undisturbed.



8.5.2 AcpiGetSleepTypeData

Get the SLP_TYP data for the requested sleep state.

ACPI_STATUS

AcpiGetSleepTypeData (

UINT8	SleepState,
UINT8	*SleepTypeA,
UINT8	*SleepTypeB)

PARAMETERS

SleepState	The SleepState value (0 through 5) for which the SLP_TYPa and SLP_TYPb values will be returned.
SleepTypeA	A pointer to a location where the value of SLP_TYPa will be returned.
SleepTypeB	A pointer to a location where the value of SLP_TYPb will be returned.

RETURN VALUE

Status	Exception code that indicates success or reason for failure.
--------	--

EXCEPTIONS

AE_OK	Both SLP_TYP values were returned successfully.
AE_BAD_PARAMETER	Either <i>SleepState</i> has an invalid value, or one of the <i>SleepType</i> pointers is invalid.
AE_NO_MEMORY	Insufficient dynamic memory to complete the operation.
AE_AML_NO_OPERAND	Could not locate one or more of the SLP_TYP values.
AE_AML_OPERAND_TYPE	One or more of the SLP_TYP objects was not a numeric type, or the object returned by the _Sx method was not a package.
AE_AML_PACKAGE_LIMIT	The package object returned by the _Sx method contained no objects.

Functional Description:

This function returns the **SLP_TYP** object for the requested sleep state. This data is obtained by evaluating the **_Sx** object that corresponds to the input *SleepState* value.

Note: *AcpiGetSleepTypeData* automatically handles two types of return value from the **_Sx** object:

- 1) The returned package object contains a single encoded DWORD that contains both sleep type values. This is in accordance with the ACPI specification.



- 2) The returned package object contains two Integer objects, one for each sleep type value. Although this behavior is not in accordance with the ACPI specification, it is often found in the field.

8.5.3 AcpiEnterSleepStatePrep

Prepare to enter a system sleep state (S1-S5).

ACPI_STATUS
AcpiEnterSleepStatePrep (
 UINT8 **SleepState)**

PARAMETERS

SleepState	The sleep state to prepare to enter. Must be in the range 1 through 5.
------------	--

RETURN VALUE

Status	Exception code that indicates success or reason for failure.
--------	--

EXCEPTIONS

AE_OK	The _PTS and _SST methods were successfully run
Other	Exception from AcpiEvaluateObject.

Functional Description:

Prepare to enter a system sleep state. This function should be called before a call to *AcpiEnterSleepState*.

This function executes the **_PTS** and **_SST** methods.

Algorithm:

- Get the sleep type data by executing the appropriate global method (**_S0**, **_S1**, etc.)
- Execute the **_PTS** method (Prepare To Sleep)
- Execute the **_SST** method with the appropriate value for the input SleepState.

8.5.4 AcpiEnterSleepState

Enter a system sleep state (S1-S5).

ACPI_STATUS
AcpiEnterSleepState (
 UINT8 **SleepState)**

PARAMETERS

SleepState	The sleep state to enter. Must be in the range 1 through 5.
------------	---

**RETURN VALUE**

Status	Exception code that indicates success or reason for failure.
--------	--

EXCEPTIONS

AE_OK	The sleep state (S1) was successfully entered.
AE_BAD_PARAMETER	Invalid SleepState value.
Other	Hardware access exception.

Functional Description:

This function only returns for transitions to the S1 state or when an error occurs. Sleep states S2-S4 use the firmware waking vector during wakeup. Should only be called after a call to *AcpiEnterSleepStatePrep*.

This function must be called with interrupts disabled.

Note: works transparently with either the legacy sleep status/control bits in the ACPI PM registers, or the standalone sleep status and sleep control registers defined in the version 5 FADT.

This function does NOT execute the **_GTS** method (Going To Sleep.) This method is untested on many platforms, is not used by major operating systems, and may result in errors and incorrect platform behavior.

Algorithm:

- Clear the WAK_STS (wake status) bit
- Clear all fixed and general purpose events
- Enable all wakeup GPEs
- Write the SLP_TYP value
- Flush CPU caches
- Write the SLP_TYP and SLP_EN values
- Wait for transition back to working state.

8.5.5 **AcpiEnterSleepStateS4Bios**

Enter S4 BIOS sleep

ACPI_STATUS

AcpiEnterSleepStateS4bios (
void)

PARAMETERS

None

RETURN VALUE

Status	Exception code that indicates success or reason for failure.
--------	--



Algorithm:
Set SLP_TYP and SLP_EN to state S0

8.5.7 AcpiLeaveSleepState

Leave (cleanup) a system sleep state (S1-S5).

ACPI_STATUS
AcpiLeaveSleepState (
 UINT8 **SleepState)**

PARAMETERS

SleepState The sleep state to leave.

RETURN VALUE

Status Exception code that indicates success or reason for failure.

EXCEPTIONS

AE_OK The cleanup was successful.

Other Hardware access exception.

Functional Description:

Perform cleanup after leaving a sleep state. This function should be only called after a call to *AcpiLeaveSleepStatePrep*.

Note: works transparently with either the legacy sleep status/control bits in the ACPI PM registers, or the standalone sleep status and sleep control registers defined in the version 5 FADT.

This function executes the **_WAK** and **_SST** methods.

Algorithm:
Execute **_SST** method with “waking” value
Clear all GPEs then enable all runtime GPEs
Execute the **_WAK** method
Clear the WAK_STS bit
Enable the power button
Execute **_SST** method with “working” value



8.6 ACPI Fixed Event Management

8.6.1 AcpiEnableEvent

Enable an ACPI Fixed Event.

ACPI_STATUS
AcpiEnableEvent (

UINT32
UINT32

Event,
Flags)

PARAMETERS

Event

The fixed event to be enabled. This parameter must be one of the following manifest constants:

ACPI_EVENT_PMTIMER
ACPI_EVENT_GLOBAL
ACPI_EVENT_POWER_BUTTON
ACPI_EVENT_SLEEP_BUTTON
ACPI_EVENT_RTC

Flags

Reserved, set to zero.

RETURN VALUE

Status

Exception code that indicates success or reason for failure.

EXCEPTIONS

AE_OK

The event was successfully enabled.

AE_BAD_PARAMETER

The *Event* is invalid.

Other

Hardware access exception.

Functional Description:

This function enables a single ACPI fixed event.

**RETURN VALUE**

Status	Exception code that indicates success or reason for failure.
--------	--

EXCEPTIONS

AE_OK	The event was successfully disabled.
AE_BAD_PARAMETER	At least one of the following is true: The <i>Event</i> is invalid. The <i>EventStatus</i> pointer is NULL or invalid
Other	Hardware access exception.

Functional Description:

This function obtains the current status of a single ACPI fixed event.

8.6.5 AcpiInstallFixedEventHandler

Install a handler for ACPI Fixed Events.

ACPI_STATUS

AcpiInstallFixedEventHandler (Event,
UINT32	Handler,
ACPI_EVENT_HANDLER	*Context)
void	

PARAMETERS

Event	The fixed event to be managed by this handler.
Handler	Address of the handler to be installed.
Context	A context value that will be passed to the handler as a parameter.

RETURN VALUE

Status	Exception code that indicates success or reason for failure.
--------	--

EXCEPTIONS

AE_OK	The handler was successfully installed.
AE_BAD_PARAMETER	At least one of the following is true: The <i>Event</i> is invalid. The <i>Handler</i> pointer is NULL.
AE_ERROR	The fixed event enable register could not be written.

**EXCEPTIONS**

AE_OK	The handler was successfully removed.
AE_BAD_PARAMETER	At least one of the following is true: The <i>Event</i> is invalid. The <i>Handler</i> pointer is NULL. The <i>Handler</i> address is not the same as the one that is installed.
AE_ERROR	The fixed event enable register could not be written.
AE_NOT_EXIST	There is no handler installed for this event.

Functional Description:

This function removes a handler for a predefined fixed event that was previously installed via a call to *AcpiInstallFixedEventHandler*.

8.7 ACPI General Purpose Event (GPE) Management

8.7.1 AcpiUpdateAllGpes

Finish GPE initialization and enable all runtime GPEs.

ACPI_STATUS
AcpiUpdateAllGpes (
 void)

PARAMETERS

None

RETURN VALUE

Status	Exception code that indicates success or reason for failure.
--------	--

EXCEPTIONS

AE_OK	All GPEs were initialized and the runtime GPEs were successfully enabled.
-------	---

Functional Description:

This function completes the GPE initialization and enables all GPEs that have associated **_Lxx** or **_Exx** methods **and** are not referenced by any device **_PRW** methods. Any GPE that is referenced by a **_PRW** method indicates that the GPE is generally intended for system or device wakeup. Such GPEs must be enabled directly (via *AcpiEnableGpe*) when the parent device is setup for wakeup.



The host must call this function at least once after the all system **_PRW** methods have been executed. It should also be called after any new GPEs have been added to the system, either after a GPE Block Device has been added or if any new GPE methods (**_Lxx/_Exx**) have been added via a dynamic ACPI table load. It is safe to simply call this function after any dynamic table load, from a global table handler.

8.7.2 AcpiEnableGpe

Enable an ACPI General Purpose Event.

ACPI_STATUS

AcpiEnableGpe (

ACPI_HANDLE
UINT32

GpeDevice,
GpeNumber)

PARAMETERS

GpeDevice	A handle for the parent GPE Block Device of the GPE to be enabled. Specify a NULL handle to indicate that the permanent GPE blocks defined in the FADT (GPE0 and GPE1) are to be used.
GpeNumber	The GPE number to be enabled within the specified GPE Block. The GPE0 block always begins at zero. GPE1 begins at GPE1_BASE (in the FADT). Named GPE Block Devices always begin at zero.

RETURN VALUE

Status	Exception code that indicates success or reason for failure.
--------	--

EXCEPTIONS

AE_OK	The GPE was successfully enabled.
AE_BAD_PARAMETER	At least one of the following is true: The <i>GpeDevice</i> is invalid or does not refer to a valid GPE Block Device. The <i>GpeNumber</i> is out of range for the referenced <i>GpeDevice</i> .
AE_LIMIT	The specified GPE has more than 255 references.
AE_NO_HANDLER	The specified GPE has neither a handler nor an _Lxx/_Exx method associated with it, therefore it is useless.

Functional Description:

This function enables a single General Purpose Event. Both the FADT-defined GPE blocks and GPE Block Devices are supported. The GPE blocks defined in the FADT are permanent and installed during system initialization. These permanent blocks, GPE0 and GPE1, are treated as a



single logical block differentiated by non-overlapping GPE numbers. GPE Block Devices are installed via *AcpiInstallGpeBlock* during bus/device enumeration.

For shared GPEs, this function may be called multiple times, once for each device shared on the GPE. In this way, device drivers may be written such that the fact that the underlying GPE is shared is transparent. Physically, a runtime GPE is enabled on the first call to this interface. Additional calls simply increment an internal reference count..

8.7.3 AcpiDisableGpe

Disable an ACPI General Purpose Event.

ACPI_STATUS

AcpiDisableGpe (

ACPI_HANDLE

UINT32

GpeDevice,

GpeNumber)

PARAMETERS

GpeDevice

A handle for the parent GPE Block Device of the GPE to be disabled. Specify a NULL handle to indicate that the permanent GPE blocks defined in the FADT (GPE0 and GPE1) are to be used.

GpeNumber

The GPE number to be disabled within the specified GPE Block. The GPE0 block always begins at zero. GPE1 begins at GPE1_BASE (in the FADT). Named GPE Block Devices always begin at zero.

RETURN VALUE

Status

Exception code that indicates success or reason for failure.

EXCEPTIONS

AE_OK

The GPE was successfully disabled.

AE_BAD_PARAMETER

At least one of the following is true:

The *GpeDevice* is invalid or does not refer to a valid GPE Block Device.

The *GpeNumber* is out of range for the referenced *GpeDevice*.

AE_LIMIT

There are currently no references to this GPE. This probably means that *AcpiEnableGpe* was never called for this GPE.

Functional Description:

This function disables a single General Purpose Event. Both the FADT-defined GPE blocks and GPE Block Devices are supported. The GPE blocks defined in the FADT are permanent and installed during system initialization. These permanent blocks, GPE0 and GPE1, are treated as a



single logical block differentiated by non-overlapping GPE numbers. GPE Block Devices are installed via *AcpiInstallGpeBlock* during bus/device enumeration.

For shared GPEs, this function may be called multiple times, once for each device shared on the GPE. In this way, device drivers may be written such that the fact that the underlying GPE is shared is transparent. Physically, a runtime GPE is disabled on the last call to this interface (corresponding to the first call to *AcpiEnableGpe*.)

8.7.4 AcpiClearGpe

Clear a pending ACPI General Purpose Event.
--

ACPI_STATUS

AcpiClearGpe (

ACPI_HANDLE
UINT32

GpeDevice,
GpeNumber)

PARAMETERS

GpeDevice

A handle for the parent GPE Block Device of the GPE to be cleared. Specify a NULL handle to indicate that the permanent GPE blocks defined in the FADT (GPE0 and GPE1) are to be used.

GpeNumber

The GPE number to be cleared within the specified GPE Block. The GPE0 block always begins at zero. GPE1 begins at GPE1_BASE (in the FADT). Named GPE Block Devices always begin at zero.

RETURN VALUE

Status

Exception code that indicates success or reason for failure.

EXCEPTIONS

AE_OK

The GPE was successfully cleared.

AE_BAD_PARAMETER

At least one of the following is true:

The *GpeDevice* is invalid or does not refer to a valid GPE Block Device.

The *GpeNumber* is out of range for the referenced *GpeDevice*.

Functional Description:

This function clears a single General Purpose Event. Both the FADT-defined GPE blocks and GPE Block Devices are supported. The GPE blocks defined in the FADT are permanent and installed during system initialization. These permanent blocks, GPE0 and GPE1, are treated as a single logical block differentiated by non-overlapping GPE numbers. GPE Block Devices are installed via *AcpiInstallGpeBlock* during bus/device enumeration.



This function should only be called from a Raw GPE handler.

8.7.5 AcpiSetGpe

Forced enable/disable for an individual ACPI General Purpose Event.

ACPI_STATUS

AcpiSetGpe (
 ACPI_HANDLE
 UINT32
 UINT8
 GpeDevice,
 GpeNumber,
 Action)

PARAMETERS

GpeDevice	A handle for the parent GPE Block Device of the GPE. Specify a NULL handle to indicate that the permanent GPE blocks defined in the FADT (GPE0 and GPE1) are to be used.
GpeNumber	The GPE number within the specified GPE Block. The GPE0 block always begins at zero. GPE1 begins at GPE1_BASE (in the FADT). Named GPE Block Devices always begin at zero.
Action	<p>ACPI_GPE_ENABLE – Enable this GPE. For runtime GPEs, the hardware is updated immediately. For wake GPEs, the hardware mask is updated for use when sleeping/suspending.</p> <p>ACPI_GPE_DISABLE – Disable this GPE. For runtime GPEs, the hardware is updated immediately. For wake GPEs, the hardware mask is updated for use when sleeping/suspending.</p>

RETURN VALUE

Status	Exception code that indicates success or reason for failure.
--------	--

EXCEPTIONS

AE_OK	The type of the GPE was successfully set.
AE_BAD_PARAMETER	<p>At least one of the following is true:</p> <p>The <i>GpeDevice</i> is invalid or does not refer to a valid GPE Block Device.</p> <p>The <i>GpeNumber</i> is out of range for the referenced <i>GpeDevice</i>.</p> <p>The <i>Action</i> is invalid.</p>
AE_NO_HANDLER	The specified GPE has neither a handler nor an <i>_Lxx/_Exx</i> method associated with it, therefore it is useless.

**Functional Description:**

This function forces the enabling or disabling of a single General Purpose Event. It bypasses the reference count mechanism implemented by *AcpiEnableGpe* and *AcpiDisableGpe* and must be used carefully and sparingly. Its primary purpose is for use in device drivers like the Embedded Controller driver where it may be necessary to disable a GPE for a short period of time.

Both the FADT-defined GPE blocks and GPE Block Devices are supported. The GPE blocks defined in the FADT are permanent and installed during system initialization. These permanent blocks, GPE0 and GPE1, are treated as a single logical block differentiated by non-overlapping GPE numbers. GPE Block Devices are installed via *AcpiInstallGpeBlock* during bus/device enumeration.

8.7.6 AcpiFinishGpe

Clear and conditionally re-enable a GPE from a GPE handler.

ACPI_STATUS

AcpiFinishGpe (
ACPI_HANDLE
UINT32

GpeDevice,
GpeNumber)

PARAMETERS

GpeDevice	A handle for the parent GPE Block Device of the GPE to be disabled. Specify a NULL handle to indicate that the permanent GPE blocks defined in the FADT (GPE0 and GPE1) are to be used.
GpeNumber	The GPE number to be disabled within the specified GPE Block. The GPE0 block always begins at zero. GPE1 begins at GPE1_BASE (in the FADT). Named GPE Block Devices always begin at zero.

RETURN VALUE

Status	Exception code that indicates success or reason for failure.
--------	--

EXCEPTIONS

AE_OK	The GPE was successfully disabled.
AE_BAD_PARAMETER	At least one of the following is true: The <i>GpeDevice</i> is invalid or does not refer to a valid GPE Block Device. The <i>GpeNumber</i> is out of range for the referenced <i>GpeDevice</i> .



Functional Description:

This function simplifies the GPE completion processing for GPE handlers. If the GPE is level-triggered, the GPE status bit is cleared. If the GPE is currently logically enabled for runtime, it is then re-enabled in the hardware.

Call this function from a synchronous or asynchronous GPE handler after GPE processing is complete.

8.7.7 AcpiSetupGpeForWake

Identify a GPE that has the ability to wake the system.

ACPI_STATUS

AcpiSetupGpeForWake (

ACPI_HANDLE

ACPI_HANDLE

UINT32

WakeDevice,

GpeDevice,

GpeNumber)

PARAMETERS

WakeDevice

A handle to the parent device associated with the **_PRW** method that references this GPE. **ACPI_ROOT_OBJECT** may be used to take notifies on the namespace root device.

GpeDevice

A handle for the parent GPE Block Device of the GPE to be disabled. Specify a NULL handle to indicate that the permanent GPE blocks defined in the FADT (GPE0 and GPE1) are to be used.

GpeNumber

The GPE number to be disabled within the specified GPE Block. The GPE0 block always begins at zero. GPE1 begins at GPE1_BASE (in the FADT). Named GPE Block Devices always begin at zero.

RETURN VALUE

Status

Exception code that indicates success or reason for failure.

EXCEPTIONS

AE_OK

The GPE was successfully disabled.

AE_ALREADY_EXISTS

The implicit notify feature is enabled for this GPE, but this *WakeDevice* is already on the list of devices to implicitly notify.

AE_BAD_PARAMETER

At least one of the following is true:

The *WakeDevice* is invalid or is not of type **ACPI_TYPE_DEVICE**.

The *GpeDevice* is invalid or does not refer to a valid GPE Block Device.



The *GpeNumber* is out of range for the referenced *GpeDevice*.

AE_NO_MEMORY

Insufficient dynamic memory to complete the operation.

Functional Description:

This function marks an individual GPE as having the ability to wake the system. It is intended to be called as the host OS executes the system **_PRW** methods (Power Resources for Wake) in the system ACPI tables and discovers GPEs that can wake the system.

Each **_PRW** method appears under a Device Object (The *WakeDevice*), and contains the information for the wake GPE associated with the *WakeDevice*. The host should call this function every time such a GPE is identified.

Calling this function also enables the *Implicit Notify* feature for the input *WakeDevice*. If there neither a GPE method (**_Lxx/_Exx**) or a handler for the GPE, when the GPE occurs, a **Notify(DEVICE_WAKE)** is automatically issued on the *WakeDevice*.

The *Implicit Notify* feature supports multiple *WakeDevices* for the same GPE. When the GPE occurs, a notify is issued on each of the wake devices for the GPE.

8.7.8 AcpiMarkGpeForWake

Mark a GPE as having the ability to wake the system.

ACPI_STATUS

AcpiMarkGpeForWake (

ACPI_HANDLE
UINT32

GpeDevice,
GpeNumber)

PARAMETERS

GpeDevice	A handle for the parent GPE Block Device of the GPE to be marked. Specify a NULL handle to indicate that the permanent GPE blocks defined in the FADT (GPE0 and GPE1) are to be used.
GpeNumber	The GPE number to be marked within the specified GPE Block. The GPE0 block always begins at zero. GPE1 begins at GPE1_BASE (in the FADT). Named GPE Block Devices always begin at zero.

RETURN VALUE

Status	Exception code that indicates success or reason for failure.
--------	--

EXCEPTIONS

AE_OK	The GPE was successfully marked.
AE_BAD_PARAMETER	At least one of the following is true:



The *GpeDevice* is invalid or does not refer to a valid GPE Block Device.

The *GpeNumber* is out of range for the referenced *GpeDevice*.

Functional Description:

This function simply marks an individual GPE as having the ability to wake the system.

Some potential callers of *AcpiSetupGpeForWake* may know in advance that there will not be any notify handlers installed for device wake notifications from the given GPE (for example, a button GPE). For these cases, *AcpiMarkGpeForWake* should be used instead.

This function simply marks the GPE as a “wake” GPE without attempting to setup an implicit wake notification for it.

8.7.9 AcpiSetGpeWakeMask

Set or clear the wakeup enable mask bit for an individual GPE.

ACPI_STATUS

AcpiSetGpeWakeMask (

ACPI_HANDLE

UINT32

UINT8

GpeDevice,

GpeNumber,

Action)

PARAMETERS

GpeDevice

A handle for the parent GPE Block Device of the GPE to be disabled. Specify a NULL handle to indicate that the permanent GPE blocks defined in the FADT (GPE0 and GPE1) are to be used.

GpeNumber

The GPE number to be disabled within the specified GPE Block. The GPE0 block always begins at zero. GPE1 begins at GPE1_BASE (in the FADT). Named GPE Block Devices always begin at zero.

Action

Action to take. This parameter must be one of the following manifest constants:

ACPI_GPE_ENABLE

ACPI_GPE_DISABLE

RETURN VALUE

Status

Exception code that indicates success or reason for failure.

EXCEPTIONS

AE_OK

The GPE was successfully disabled.



AE_BAD_PARAMETER	At least one of the following is true: The <i>GpeDevice</i> is invalid or does not refer to a valid GPE Block Device. The <i>GpeNumber</i> is out of range for the referenced <i>GpeDevice</i> . The <i>Action</i> is not one of the supported values.
AE_TYPE	The GPE is not marked as a wakeup GPE.

Functional Description:

This function sets or clears the wakeup mask bit for an individual GPE. The GPE must already be marked as a wake GPE (via *AcpiSetupGpeForWake*).

Individual drivers should call this function as the system prepares to sleep when a particular device is to be allowed to wake the system.

8.7.10 AcpiGetGpeStatus

Obtain the status of an ACPI General Purpose Event.
--

ACPI_STATUS

AcpiGetGpeStatus (
ACPI_HANDLE	GpeDevice,
UINT32	GpeNumber,
ACPI_EVENT_STATUS	*EventStatus)

PARAMETERS

GpeDevice	A handle for the parent GPE Block Device of the GPE for which status is to be obtained. Specify a NULL handle to indicate that the permanent GPE blocks defined in the FADT (GPE0 and GPE1) are to be used.
GpeNumber	The GPE number to be enabled within the specified GPE Block. The GPE0 block always begins at zero. GPE1 begins at GPE1_BASE (in the FADT). Named GPE Block Devices always begin at zero.
EventStatus	Where the event status is returned. The following bits may be set: <p style="margin-left: 40px;">ACPI_EVENT_FLAG_ENABLED: The GPE is enabled.</p> <p style="margin-left: 40px;">ACPI_EVENT_FLAG_HAS_HANDLER: The GPE is associated with a handler.</p> <p style="margin-left: 40px;">ACPI_EVENT_FLAG_SET: The status bit for this GPE is set (a GPE has occurred.)</p>

**RETURN VALUE**

Status	Exception code that indicates success or reason for failure.
--------	--

EXCEPTIONS

AE_OK	The GPE was successfully enabled.
AE_BAD_PARAMETER	At least one of the following is true: The <i>GpeDevice</i> is invalid or does not refer to a valid GPE Block Device. The <i>GpeNumber</i> is out of range for the referenced <i>GpeDevice</i> .

Functional Description:

This function obtains the status of a single General Purpose Event. Both the FADT-defined GPE blocks and GPE Block Devices are supported. The GPE blocks defined in the FADT are permanent and installed during system initialization. These permanent blocks, GPE0 and GPE1, are treated as a single logical block differentiated by non-overlapping GPE numbers. GPE Block Devices are installed via *AcpiInstallGpeBlock* during bus/device enumeration.

This function may be called from an interrupt service routine (typically a GPE handler) or a device driver.

8.7.11 AcpiGetGpeDevice

Get the GPE Block Device associated with the GPE index.

ACPI_STATUS**AcpiGetGpeDevice (****UINT32****ACPI_HANDLE****Index,
*GpeDevice)****PARAMETERS**

Index	The system index of the GPE, defined to be from zero to the value of AcpiCurrentGpeCount .
GpeDevice	A pointer to where the handle of the GPE block device is returned. NULL indicates that the GPE is within one of the FADT-defined GPE blocks.

RETURN VALUE

Status	Exception code that indicates success or reason for failure.
--------	--

EXCEPTIONS

AE_OK	The GPE block device was successfully returned.
-------	---



AE_BAD_PARAMETER	At least one of the following is true: The <i>GpeDevice</i> pointer is invalid.
AE_NOT_EXIST	The Index refers to a non-existent GPE (it is larger than AcpiCurrentGpeCount).

Functional Description:

This function obtains the GPE block device associated with the Index parameter. A returned NULL GPE device indicates that the Index refers to a GPE that is contained in one of the FADT-defined GPE blocks.

The Index is a system index used to track all GPEs. First are the FADT GPE0 block GPEs, then the FADT GPE1 GPEs (if present), then any GPE block device GPEs. Valid values for the Index are from zero to the value of the public global variable **AcpiCurrentGpeCount**. Index values are consecutive with no 'holes'.

8.7.12 AcpiDisableAllGpes

Disable all system GPEs

ACPI_STATUS
AcpiDisableAllGpes (
void)

PARAMETERS

None

RETURN VALUE

Status	Exception code that indicates success or reason for failure.
--------	--

EXCEPTIONS

AE_OK	All GPEs were successfully disabled.
Other	Hardware access exception.

Functional Description:

This function disables all GPEs currently defined in the system. This includes all runtime and wake GPEs, in both the FADT-defined GPE blocks as well as any installed GPE block devices.



Interrupt	The hardware interrupt level that this GPE block is to be associated with. Can be SCI_INT or any other system interrupt level.
-----------	--

RETURN VALUE

Status	Exception code that indicates success or reason for failure.
--------	--

EXCEPTIONS

AE_OK	The GPE was successfully enabled.
AE_BAD_PARAMETER	At least one of the following is true: The <i>GpeDevice</i> is invalid or does not refer to a valid GPE Block Device. The <i>GpeNumber</i> is out of range for the referenced <i>GpeDevice</i> .

Functional Description:

This function installs a GPE Block Device. It is intended for use by a device driver that supports the enumeration of GPE Block Devices. The caller must identify each Block Device in the ACPI namespace (each has a _HID of **ACPI0006**) and obtain the resource requirements (_CRS, etc.) and make this call for each device found.

Gpe Block Device handling is supported in the ACPICA Subsystem because the SCI_INT is owned by the subsystem, and the FADT-defined GPE blocks are also owned by the subsystem. Via this interface, the ACPICA subsystem also supports GPE Block Devices and the associated interrupts, detection, dispatch, and GPE control method execution — thus centralizing all (system-wide) GPE support to the subsystem.

8.7.15 AcpiRemoveGpeBlock

Remove a GPE Block Device.

ACPI_STATUS

AcpiRemoveGpeBlock (
ACPI_HANDLE GpeDevice)

PARAMETERS

GpeDevice	A handle for the GPE Block Device to be removed.
-----------	--

RETURN VALUE

Status	Exception code that indicates success or reason for failure.
--------	--

EXCEPTIONS

AE_OK	The GPE was successfully enabled.
-------	-----------------------------------



AE_BAD_PARAMETER	At least one of the following is true: The <i>GpeDevice</i> is invalid or does not refer to a valid GPE Block Device. The <i>GpeNumber</i> is out of range for the referenced <i>GpeDevice</i> .
------------------	--

Functional Description:

This function removed a GPE Block Device that was previously installed via *AcpiInstallGpeBlock*.

8.7.16 AcpiInstallGpeHandler

Install a handler for ACPI General Purpose Events.

```

ACPI_STATUS
AcpiInstallGpeHandler (
    ACPI_HANDLE          GpeDevice,
    UINT32               GpeNumber,
    UINT32               Type,
    ACPI_GPE_HANDLER    Handler,
    void                 *Context)

```

PARAMETERS

GpeDevice	A handle for the parent GPE Block Device of the GPE for which the handler is to be installed. Specify a NULL handle to indicate that the permanent GPE blocks defined in the FADT (GPE0 and GPE1) are to be used.
GpeNumber	A zero based GPE number. GPE numbers start with GPE register bank zero, and continue sequentially through GPE bank one.
Type	Whether this GPE is edge or level triggered: ACPI_GPE_LEVEL_TRIGGERED ACPI_GPE_EDGE_TRIGGERED
Handler	Address of the handler to be installed.
Context	A context value that will be passed to the handler as a parameter.

RETURN VALUE

Status	Exception code that indicates success or reason for failure.
--------	--

EXCEPTIONS

AE_OK	The handler was successfully installed.
AE_BAD_PARAMETER	At least one of the following is true:



8.7.17 AcpInstallGpeRawHandler

Install a handler for ACPI General Purpose Events.

```

ACPI_STATUS
AcpInstallGpeRawHandler (
    ACPI_HANDLE          GpeDevice,
    UINT32               GpeNumber,
    UINT32               Type,
    ACPI_GPE_HANDLER    Handler,
    void                 *Context)
  
```

PARAMETERS

GpeDevice	A handle for the parent GPE Block Device of the GPE for which the handler is to be installed. Specify a NULL handle to indicate that the permanent GPE blocks defined in the FADT (GPE0 and GPE1) are to be used.
GpeNumber	A zero based GPE number. GPE numbers start with GPE register bank zero, and continue sequentially through GPE bank one.
Type	Whether this GPE is edge or level triggered: ACPI_GPE_LEVEL_TRIGGERED ACPI_GPE_EDGE_TRIGGERED
Handler	Address of the handler to be installed.
Context	A context value that will be passed to the handler as a parameter.

RETURN VALUE

Status	Exception code that indicates success or reason for failure.
--------	--

EXCEPTIONS

AE_OK	The handler was successfully installed.
AE_BAD_PARAMETER	At least one of the following is true: The <i>GpeNumber</i> is invalid. The <i>Handler</i> pointer is NULL.
AE_ALREADY_EXISTS	A handler for this general-purpose event is already installed.
AE_NO_MEMORY	Insufficient dynamic memory to complete the operation.

Functional Description:

This function installs a handler for a general-purpose event.



8.7.18 AcpiRemoveGpeHandler

Remove an ACPI General-Purpose Event handler.

ACPI_STATUS
AcpiRemoveGpeHandler (
 ACPI_HANDLE **GpeDevice,**
 UINT32 **GpeNumber,**
 ACPI_EVENT_HANDLER **Handler)**

PARAMETERS

GpeDevice	A handle for the parent GPE Block Device of the GPE for which the handler is to be removed. Specify a NULL handle to indicate that the permanent GPE blocks defined in the FADT (GPE0 and GPE1) are to be used.
GpeNumber	A zero based GPE number. GPE numbers start with GPE register bank zero, and continue sequentially through GPE bank one.
Handler	Address of the previously installed handler.

RETURN VALUE

Status	Exception code that indicates success or reason for failure.
--------	--

EXCEPTIONS

AE_OK	The handler was successfully removed.
AE_BAD_PARAMETER	At least one of the following is true: The <i>GpeNumber</i> is invalid. The <i>Handler</i> pointer is NULL. The <i>Handler</i> address is not the same as the one that is installed.
AE_NOT_EXIST	There is no handler installed for this general-purpose event.

Functional Description:

This function removes a handler for a general-purpose event that was previously installed via a call to *AcpiInstallGpeHandler* or *AcpiInstallGpeRawHandler*.



8.8 Miscellaneous Handler Support

8.8.1 AcpInstallSciHandler

Install a handler for ACPI System Control Interrupts (SCIs).

```
ACPI_STATUS
AcpInstallSciHandler (
    ACPI_SCI_HANDLER    Handler,
    void                 *Context)
```

PARAMETERS

Handler	Address of the handler to be installed.
Context	A context value that will be passed to the handler as a parameter.

RETURN VALUE

Status	Exception code that indicates success or reason for failure.
--------	--

EXCEPTIONS

AE_OK	The handler was successfully installed.
AE_BAD_PARAMETER	The <i>Handler</i> pointer is NULL.
AE_ALREADY_EXISTS	This handler is already installed.

Functional Description:

This function installs a handler for the System Control Interrupt. Certain ACPI functionality requires the host to handle raw SCIs. For example, the “SCI Doorbell” that is defined for memory power state support requires the host device driver to handle SCIs to examine if the doorbell has been activated.

8.8.1.1 Interface to SCI Handlers

Definition of the handler interface for SCIs.

```
typedef
UINT32 (*ACPI_SCI_HANDLER) (
    void                 *Context)
```

PARAMETERS

Context	The Context value that was passed as a parameter to the <i>AcpInstallSciHandler</i> function.
---------	---

**RETURN VALUE**

HandlerActionTaken

The handler should return one of the following manifest constants:

ACPI_INTERRUPT_HANDLED**ACPI_INTERRUPT_NOT_HANDLED****Functional Description:**

This handler is installed via *AcpiInstallSciHandler*. It is called for each and every SCI received on the platform.

This function executes in the context of an interrupt handler.

8.8.2 AcpiRemoveSciHandler

Remove an ACPI SCI handler.

ACPI_STATUS

AcpiRemoveSciHandler (
ACPI_SCI_HANDLER Handler)

PARAMETERS

Handler

Address of the previously installed handler.

RETURN VALUE

Status

Exception code that indicates success or reason for failure.

EXCEPTIONS

AE_OK

The handler was successfully removed.

AE_BAD_PARAMETER

The *Handler* pointer is NULL.

AE_NOT_EXIST

This handler is not installed for the SCI.

Functional Description:

This function removes a System Control Interrupt (SCI) handler that was previously installed via a call to *AcpiInstallSciHandler*.



8.8.3 AcpInstallGlobalEventHandler

Install a global handler for all ACPI General Purpose and Fixed Events.

ACPI_STATUS

```
AcpInstallGlobalEventHandler (
    ACPI_GBL_EVENT_HANDLER    Handler,
    void                       *Context)
```

PARAMETERS

Handler	Address of the handler to be installed.
Context	A context value that will be passed to the handler as a parameter.

RETURN VALUE

Status	Exception code that indicates success or reason for failure.
--------	--

EXCEPTIONS

AE_OK	The handler was successfully installed.
AE_BAD_PARAMETER	The <i>Handler</i> pointer is NULL.
AE_ALREADY_EXISTS	A global event handler is already installed.

Functional Description:

This function installs a global handler for all general purpose and fixed ACPI events. The handler is invoked at interrupt level. Such a handler is intended to be used to update global data structures such as GPE and fixed event counters.

8.8.3.1 Interface to the Global Event Handler

Definition of the handler interface for the Global Event Handler.

```
typedef
void (*ACPI_GBL_EVENT_HANDLER) (
    UINT32    EventType,
    ACPI_HANDLE Device,
    UINT32    EventNumber,
    void      *Context)
```

PARAMETERS

EventType	Type of this ACPI event. Currently, general purpose (GPE) and fixed events are supported. One of the following manifest constants:
-----------	--

ACPI_EVENT_TYPE_GPE

**ACPI_EVENT_TYPE_FIXED**

Device For GPE Block Devices, this is the parent device for the GPE. This parameter is NULL for FADT-defined GPEs and Fixed Events (**ACPI_EVENT_TYPE_FIXED**).

EventNumber For GPEs, this is the GPE number relative to the GPE Device. For Fixed Events, this is the Fixed Event type, one of the following manifest constants:

ACPI_EVENT_PMTIMER
ACPI_EVENT_GLOBAL
ACPI_EVENT_POWER_BUTTON
ACPI_EVENT_SLEEP_BUTTON
ACPI_EVENT_RTC

Context The Context value that was passed as a parameter to the `AcpiInstallGlobalEventHandler` function.

RETURN VALUE

None

Functional Description:

This handler is installed via `AcpiInstallGlobalEventHandler`. It is called whenever a general purpose or fixed ACPI event occurs.

This function executes in the context of an interrupt handler.

8.8.4 AcpiInstallNotifyHandler

Install a handler for notification events on an ACPI object.

ACPI_STATUS

`AcpiInstallNotifyHandler` (
ACPI_HANDLE **Object,**
UINT32 **Type,**
ACPI_NOTIFY_HANDLER **Handler,**
void ***Context)**

PARAMETERS

Object A Handle to the object for which notify events will be handled. Notices on this object will be dispatched to the handler. If **ACPI_ROOT_OBJECT** is specified, the handler will become a global handler that receives all (system wide) notifications of the Type specified. Otherwise, this object must be one of the following types:

ACPI_TYPE_DEVICE
ACPI_TYPE_PROCESSOR
ACPI_TYPE_THERMAL



Type	Specifies the type of notifications that are to be received by this handler: ACPI_SYSTEM_NOTIFY – Notification values from 0x00 to 0x7F. ACPI_DEVICE_NOTIFY – Notification values from 0x80 to 0xFF.
Handler	Address of the handler to be installed.
Context	A context value that will be passed to the handler as a parameter.

RETURN VALUE

Status	Exception code that indicates success or reason for failure.
--------	--

EXCEPTIONS

AE_OK	The handler was successfully installed.
AE_BAD_PARAMETER	At least one of the following is true: The <i>Object</i> handle is invalid. The <i>Type</i> is not a valid value. The <i>Handler</i> pointer is NULL.
AE_ALREADY_EXISTS	This notification handler for this object is already installed.
AE_TYPE	The type of the Object is not one of the supported object types.
AE_NO_MEMORY	Insufficient dynamic memory to complete the operation.

Functional Description:

This function installs a handler for notify events on an ACPI object. According to the ACPI specification, the only objects that can receive notifications are Device, Thermal Zone, and Processor objects.

With the exception of the global notify handlers, multiple notify handlers may be installed for the same ACPI object and for the same notification type (system or device). During notification dispatch, each installed handler is invoked in turn. This can simplify the host OS notification implementation. This function may be called multiple times on the same object, as long as the handler itself is different. A different *Context* parameter may be specified for each handler for the device.

A single global handler for each notify type may be installed by using the `ACPI_ROOT_OBJECT` constant as the object handle. When a notification is received, it is first dispatched to the global handler (if there is one), and then to the device-specific notify handler (if there is one)



8.8.4.1 Interface to Notification Event Handlers

Definition of the handler interface for Notification Events.

```

typedef
void (*ACPI_NOTIFY_HANDLER) (
    ACPI_HANDLE      Device
    UINT32           Value,
    void             *Context)

```

PARAMETERS

Device	A handle for the device on which the notify occurred.
Value	The notify value that was passed as a parameter to the AML Notify() operation.
Context	The Context value that was passed as a parameter to the AcpiInstallNotifyHandler function.

RETURN VALUE

None

Functional Description:

This handler is installed via *AcpiInstallNotifyHandler*. It is called whenever a **notify** occurs on the target object. If the handler is installed as a global notification handler, it is called for every notify of the type specified when it was installed. If multiple handlers are installed for an object, each handler is invoked in turn during the notification dispatch.

This function **does not** execute in the context of an interrupt handler.

8.8.5 AcpiRemoveNotifyHandler

Remove a handler for ACPI notification events.

```

ACPI_STATUS
AcpiRemoveNotifyHandler (
    ACPI_HANDLE      Object,
    UINT32           Type,
    ACPI_NOTIFY_HANDLER Handler)

```

PARAMETERS

Object	A handle to the object for which a notify handler will be removed. If ACPI_ROOT_OBJECT is specified, the global handler of the <i>Type</i> specified is removed. Otherwise, this object must be one of the following types:
--------	--

```

ACPI_TYPE_DEVICE
ACPI_TYPE_PROCESSOR

```

**ACPI_TYPE_THERMAL**

Type	Specifies the type of notify handler to be removed: ACPI_SYSTEM_NOTIFY – Notification values from 0x00 to 0x7F. ACPI_DEVICE_NOTIFY – Notification values from 0x80 to 0xFF.
Handler	Address of the previously installed handler.

RETURN VALUE

Status	Exception code that indicates success or reason for failure.
--------	--

EXCEPTIONS

AE_OK	The handler was successfully removed.
AE_BAD_PARAMETER	At least one of the following is true: The <i>Object</i> handle is invalid. The <i>Type</i> is not a valid value. The <i>Handler</i> pointer is NULL.
AE_NOT_EXIST	There is no handler installed for notifications on this object. The Handler address is not the same as the one that is installed.
AE_TYPE	The type of the Object is not one of the supported object types.

Functional Description:

This function removes a handler for notify events that was previously installed via a call to *AcpInstallNotifyHandler*.



8.8.6 AcpInstallAddressSpaceHandler

Install handlers for ACPI Operation Region events.

ACPI_STATUS

```

AcpInstallAddressSpaceHandler (
    ACPI_HANDLE          Object,
    ACPI_ADR_SPACE_TYPE SpaceId,
    ACPI_ADR_SPACE_HANDLER Handler,
    ACPI_ADR_SPACE_SETUP Setup,
    void                 *Context)

```

PARAMETERS

Object A handle for the object for which a address space handler will be installed. This object may be specified as the **ACPI_ROOT_OBJECT** to request global scope. Otherwise, this object must be one of the following types:

```

    ACPI_TYPE_DEVICE
    ACPI_TYPE_PROCESSOR
    ACPI_TYPE_THERMAL

```

SpaceId The ID of the Address Space or Operation Region to be managed by this handler.

Handler Address of the handler to be installed if the special value **ACPI_DEFAULT_HANDLER** is used the handler supplied with by the ACPICA for that address space will be installed.

Setup Address of a start/stop initialization/termination function that is called when the region first becomes available and also if and when it becomes unavailable.

Context A context value that will be passed to the handler as a parameter.

RETURN VALUE

Status Exception code that indicates success or reason for failure.

EXCEPTIONS

AE_OK The handler was successfully installed.

AE_BAD_PARAMETER At least one of the following is true:

The object handle does not refer to an object of type Device, Processor, ThermalZone, or the root object.

The SpaceId is invalid.

The Handler pointer is NULL.



AE_ALREADY_EXISTS	A handler for this address space or operation region is already installed.
AE_NOT_EXIST	ACPI_DEFAULT_HANDLER was specified for an address space that has no default handler.
AE_NO_MEMORY	There was insufficient memory to install the handler.

Functional Description:

This function installs a handler for an Address Space.

NOTE: This function should only be called after `AcpiEnableSubsystem` has been called. This is because any `_REG` methods associated with the Space ID are executed here, and these methods can only be safely executed after the default handlers have been installed and the hardware has been initialized (via `AcpiEnableSubsystem`.)

8.8.6.1 Interface to Address Space Setup Handlers

Definition of the setup (Address Space start/stop) handler interface for Operation Region Events.

```
typedef
void (*ACPI_ADR_SPACE_SETUP) (
    ACPI_HANDLE          Region,
    UINT32               Function,
    void                 *HandlerContext,
    void                 **ReturnContext)
```

PARAMETERS

Region	A handle to the region that is initializing or terminating.
Function	The type of function to be performed; must be one of the following manifest constants: <div style="text-align: center;"> ACPI_REGION_ACTIVATE (init) ACPI_REGION_DEACTIVATE (terminate) </div>
HandlerContext	An address space specific Context value. Typically this is the context that was passed as a parameter to the <code>AcpiInstallAddressSpaceHandler</code> function.
ReturnContext	An address space specific Context value. This context subsumes the <code>HandlerContext</code> , and this is the context value that is passed to the actual address space handler routine.

RETURN VALUE

None

**Functional Description:**

This handler is installed via *AcpInstallAddressSpaceHandler*. It is invoked to both initialize and terminate the operation region handling code. The setup handler is first invoked with a function value of **ACPI_REGION_ACTIVATE** upon the first access to the region from AML code. It is called again with a function value of **ACPI_REGION_DEACTIVATE** just before the address space handler is removed.

This function **does not** execute in the context of an interrupt handler.

8.8.6.2 Interface to Address Space Handlers**Definition of the handler interface for Operation Region Events.**

```
typedef
void (*ACPI_ADR_SPACE_HANDLER) (
    UINT32          Function,
    ACPI_PHYSICAL_ADDRESS Address,
    UINT32          BitWidth,
    UINT64          *Value,
    void            *HandlerContext,
    void            *RegionContext)
```

PARAMETERS

Function	The type of function to be performed; must be one of the following manifest constants: ACPI_READ ACPI_WRITE
Address	A space-specific address where the operation is to be performed.
BitWidth	The width of the operation, typically 8, 16, 32, or 64.
Value	A pointer to the value to be written (ACPI_WRITE), or where the value that was read should be returned (ACPI_READ).
HandlerContext	An address space specific Context value. Typically this is the context that was passed as a parameter to the <i>AcpInstallAddressSpaceHandler</i> function.
RegionContext	An operation region specific context. Created during the region setup.

RETURN VALUE

None



Functional Description:

This handler is installed via *AcpiInstallAddressSpaceHandler*. It is invoked whenever AML code attempts to access the target Operation Region.

This function **does not** execute in the context of an interrupt handler.

8.8.6.2.1 Address Space-specific Information.

For the **GeneralPurposeIo** address space, these parameters have the following special meanings:

Address	This is the offset, in bits, of the field unit from the previous invocation of <i>Connection()</i> . It can be viewed as a “Pin Number Index” into the resource descriptor pin list referenced or defined by the <i>Connection()</i> .
BitWidth	The exact width of the field in bits. Usually one for GPIO fields, but not always.

Note that the *Value* to be written is the exact value used in the *Store()* that references the field unit. Also, The *UpdateRule* for **GeneralPurposeIo** fields is ignored.

GeneralPurposeIo example:

```
OperationRegion (GPOP, GeneralPurposeIo, Zero, 0x02)
Field (GPOP, ByteAcc, NoLock, Preserve)
{
    Connection (
        GpioIo (Exclusive, PullDefault, 0x0000, 0x0000,
            IoRestrictionOutputOnly,
            "\\GPE0", 0x00, ResourceConsumer, ,
            )
        { // Pin list
            0x003A, 0x003B, 0x003C, 0x003D
        }
    ),
    PIN0, 1,
    PIN1, 1,
    MODE, 2,
```

In the example above, a *Store()* to **PIN0** would result in a handler invocation with:

Address = 0, BitWidth = 1

A *Store()* to **PIN1** would pass:

Address = 1, BitWidth = 1

A *Store()* to **MODE** would pass:

Address = 2, BitWidth = 2



8.8.6.3 Context for the Default PCI Address Space Handler

Definition of the context required for installation of the default PCI address space handler.

UINT32

PCIContext

Where PCIContext contains the PCI bus number and the PCI segment number. The bus number is in the low 16 bits and the segment number in the high 16 bits.

Functional Description:

This data is passed via the *Context* parameter when a handler for the PCI_Config address space is invoked. If a *Context* parameter is passed to the InstallAddressSpaceHandler interface, ACPICA will reserve and use the beginning of the context data field for the PCIContext. The caller should ensure that the area pointed to by Context is large enough for this data.

Locations after the PCIContext are available for use by the handler.

8.8.6.4 Context for the GPIO/SerialBus Address Space Handlers

Definition of the context required for installation of GPIO/SerialBus address space handlers.

```

typedef struct acpi_connection_info
{
    UINT8          *Connection;
    UINT16        Length;
    UINT8          AccessLength;
} ACPI_CONNECTION;

```

Where:

Connection points to a buffer that contains the raw AML ResourceTemplate associated with the Field object being accessed. This association is created via the use of the ASL/AML Connection operator.

Length is the length of the Connection buffer in bytes.

AccessLength is the value associated with an AccessAs operator that utilizes the ACPI 5.0 *AccessAttribute* extensions that contain a length field:

```

AccessAs:    AttribBytes (AccessLength)
AccessAs:    AttribRawBytes (AccessLength)
AccessAs:    AttribRawProcessBytes (AccessLength)

```

Functional Description:

This data is passed via the *Context* parameter when handlers for the **GeneralPurposeIo** and **GenericSerialBus** address spaces are invoked. If a *Context* parameter is passed to the InstallAddressSpaceHandler interface, ACPICA will reserve and use the beginning of the context data field for the GSBUS context. The caller should ensure that the area pointed to by Context is large enough for this data.



Locations after the `ACPI_CONNECTION_INFO` structure are available for use by the handler.

The Connection buffer can be converted to an `ACPI_RESOURCE` structure via the *AcpiBufferToResource* interface. For example:

```
ACPI_RESOURCE          *Resource;

Status = AcpiBufferToResource (Context->Connection,
                               Context->Length, &Resource);
```

8.8.7 AcpiRemoveAddressSpaceHandler

Remove an ACPI Operation Region handler.

```
ACPI_STATUS
AcpiRemoveAddressSpaceHandler (
    ACPI_HANDLE          Object,
    ACPI_ADR_SPACE_TYPE SpaceId,
    ACPI_ADR_SPACE_HANDLER Handler)
```

PARAMETERS

Object	A handle for the object for which a address space handler will be installed. This object may be specified as the <code>ACPI_ROOT_OBJECT</code> to request global scope. Otherwise, this object must be one of the following types:
--------	--

```
ACPI_TYPE_DEVICE
ACPI_TYPE_PROCESSOR
ACPI_TYPE_THERMAL
```

SpaceId	The ID of the Address Space or Operation Region whose handler is to be removed.
---------	---

Handler	Address of the previously installed handler.
---------	--

RETURN VALUE

Status	Exception code that indicates success or reason for failure.
--------	--

EXCEPTIONS

AE_OK	The handler was successfully removed.
-------	---------------------------------------

AE_BAD_PARAMETER	At least one of the following is true: The object handle does not refer to an object of type Device, Processor, ThermalZone, or the root object. The SpaceId is invalid. The Handler pointer is NULL.
------------------	--



The Handler address is not the same as the one that is installed.

AE_NOT_EXIST

There is no handler installed for this address space or operation region.

Functional Description:

This function removes a handler for an Address Space or Operation Region that was previously installed via a call to *AcpInstallAddressSpaceHandler*.

8.8.8 AcpInstallExceptionHandler

Install a handler for ACPI interpreter run-time exceptions.
--

ACPI_STATUS

AcpInstallExceptionHandler (
ACPI_EVENT_HANDLER **Handler**)

PARAMETERS

Handler	Address of the handler to be installed.
---------	---

RETURN VALUE

Status	Exception code that indicates success or reason for failure.
--------	--

EXCEPTIONS

AE_OK	The handler was successfully installed.
AE_BAD_PARAMETER	At least one of the following is true: The <i>Handler</i> pointer is NULL.
AE_ALREADY_EXISTS	A handler for this general-purpose event is already installed.

Functional Description:

This function installs a global handler for exceptions generated during the execution of control methods. Useful for error logging and debugging.



8.8.8.1 Interface to Exception Handlers

Definition of the handler interface for General Purpose Events.
--

```
typedef
ACPI_STATUS (*ACPI_EXCEPTION_HANDLER) (
    ACPI_STATUS      AmlStatus,
    ACPI_NAME        Name,
    UINT16           Opcode,
    UINT32           AmlOffset,
    void             *Context)
```

PARAMETERS

AmlStatus	The exception code that was raised.
Name	Name of the executing control method.
Opcode	AML opcode whose execution caused the exception.
AmlOffset	Offset of the AML opcode within the control method.
Context	Reserved for future use. Currently NULL.

RETURN VALUE

None

Functional Description:

This handler is installed via *AcpInstallExceptionHandler*. It is called whenever an exception is raised within the AML interpreter during control method execution.

The **ACPI_STATUS** that is returned by the handler is then used by the AML interpreter instead of the original exception code.



8.9 ACPI Resource Management

8.9.1 AcpiGetCurrentResources

Get the current resource list associated with an ACPI-related device.

ACPI_STATUS

AcpiGetCurrentResources (

ACPI_HANDLE

Device,

ACPI_BUFFER

*OutBuffer)

PARAMETERS

Device

A handle to a device object for which the current resources are to be returned.

OutBuffer

A pointer to a location where the current resource list is to be returned.

RETURN VALUE

Status

Exception code that indicates success or reason for failure.

EXCEPTIONS

AE_OK

The resource list was successfully returned.

AE_BAD_PARAMETER

At least one of the following is true:

The *Device* handle is invalid.

The *OutBuffer* pointer is NULL.

The *Length* field of *OutBuffer* is not **ACPI_ALLOCATE_BUFFER**, but the *Pointer* field of *OutBuffer* is NULL.

AE_BUFFER_OVERFLOW

The *Length* field of *OutBuffer* indicates that the buffer is too small to hold the resource list. Upon return, the *Length* field contains the minimum required buffer length.

AE_TYPE

The *Device* handle refers to an object that is not of type **ACPI_TYPE_DEVICE**.

Functional Description:

This function obtains the current resources for a specific device. The caller must first acquire a handle for the desired device. The resource data is placed in the buffer pointed contained in the *OutBuffer* structure. Upon completion the *Length* field of *OutBuffer* will indicate the number of bytes copied into the *Pointer* field of the *OutBuffer* buffer. This routine will never return a partial resource structure.

If the function fails an appropriate status will be returned and the value of *OutBuffer* is undefined.



8.9.2 AcpiGetPossibleResources

Get the possible resource list associated with an ACPI-related device.

ACPI_STATUS

AcpiGetPossibleResources (

ACPI_HANDLE

ACPI_BUFFER

Device,
*OutBuffer)

PARAMETERS

Device	A handle to a device object for which the possible resources are to be returned.
OutBuffer	A pointer to a location where the possible resource list is to be returned.

RETURN VALUE

Status	Exception code that indicates success or reason for failure.
--------	--

EXCEPTIONS

AE_OK	The resource list was successfully returned.
AE_BAD_PARAMETER	At least one of the following is true: The <i>Device</i> handle is invalid. The <i>OutBuffer</i> pointer is NULL. The <i>Length</i> field of <i>OutBuffer</i> is not ACPI_ALLOCATE_BUFFER , but the <i>Pointer</i> field of <i>OutBuffer</i> is NULL.
AE_BUFFER_OVERFLOW	The <i>Length</i> field of <i>OutBuffer</i> indicates that the buffer is too small to hold the resource table. Upon return, the <i>Length</i> field contains the minimum required buffer length.
AE_TYPE	The <i>Device</i> handle refers to an object that is not of type ACPI_TYPE_DEVICE .

Functional Description:

This function obtains the list of the possible resources for a specific device. The caller must first acquire a handle for the desired device. The resource data is placed in the buffer contained in the *OutBuffer* structure. Upon completion the *Length* field of *OutBuffer* will indicate the number of bytes copied into the *Pointer* field of the *OutBuffer* buffer. This routine will never return a partial resource structure.

If the function fails an appropriate status will be returned and the value of *OutBuffer* is undefined.



8.9.3 AcpiSetCurrentResources

Set the current resource list associated with an ACPI-related device.

ACPI_STATUS
AcpiSetCurrentResources (
 ACPI_HANDLE **Device,**
 ACPI_BUFFER ***Buffer)**

PARAMETERS

Device	A handle to a device object for which the current resource list is to be set.
Buffer	A pointer to an ACPI_BUFFER containing the resources to be set for the device.

RETURN VALUE

Status	Exception code that indicates success or reason for failure.
--------	--

EXCEPTIONS

AE_OK	The resources were set successfully.
AE_BAD_PARAMETER	At least one of the following is true: The <i>Device</i> handle is invalid. The <i>InBuffer</i> pointer is NULL. The <i>Pointer</i> field of <i>InBuffer</i> is NULL. The <i>Length</i> field of <i>InBuffer</i> is zero.
AE_TYPE	The Device handle refers to an object that is not of type ACPI_TYPE_DEVICE .

Functional Description:

This function sets the current resources for a specific device. The caller must first acquire a handle for the desired device. The resource data is passed to the routine the buffer pointed to by the *InBuffer* variable.



8.9.4 AcpiGetEventResources

Get the event resource information for an ACPI-related device (via <code>_AEI</code> method)
--

ACPI_STATUS

`AcpiGetEventResources` (

`ACPI_HANDLE`

`ACPI_BUFFER`

Device,
*OutBuffer)

PARAMETERS

Device	A handle to a device object for which the event resource information is to be returned.
OutBuffer	A pointer to a location where the event resource information is to be returned.

RETURN VALUE

Status	Exception code that indicates success or reason for failure.
--------	--

EXCEPTIONS

AE_OK	The system information list was successfully returned.
AE_BAD_PARAMETER	At least one of the following is true: The Device handle is invalid. The OutBuffer pointer is NULL. The <i>Length</i> field of <i>OutBuffer</i> is not <code>ACPI_ALLOCATE_BUFFER</code> , but the <i>Pointer</i> field of <i>OutBuffer</i> is NULL.
AE_BUFFER_OVERFLOW	The Length field of OutBuffer indicates that the buffer is too small to hold the event information. Upon return, the Length field contains the minimum required buffer length.
AE_TYPE	The Device handle refers to an object that is not of type <code>ACPI_TYPE_DEVICE</code> .

Functional Description:

This function obtains the event resource information for a specific device. It does so by attempting to execute the `_AEI` method (*ACPI Event Information*) contained in the scope of the device whose handle is passed as a parameter.

From the ACPI Specification: “The `_AEI` object designates those GPIO interrupts that shall be handled by OSPM as ACPI events. This object appears within the scope of the GPIO controller device whose pins are to be used as GPIO-signaled events.”

If the function fails an appropriate status will be returned and the value of *OutBuffer* is undefined.



8.9.5 AcpiGetIRQRoutingTable

Get the ACPI Interrupt Request (IRQ) Routing Table for an ACPI-related device.

ACPI_STATUS
AcpiGetIRQRoutingTable (
ACPI_HANDLE **Device,**
ACPI_BUFFER ***OutBuffer)**

PARAMETERS

Device	A handle to a device object for which the IRQ routing table is to be returned.
OutBuffer	A pointer to a location where the IRQ routing table is to be returned.

RETURN VALUE

Status	Exception code that indicates success or reason for failure.
--------	--

EXCEPTIONS

AE_OK	The system information list was successfully returned.
AE_BAD_PARAMETER	At least one of the following is true: The Device handle is invalid. The OutBuffer pointer is NULL. The <i>Length</i> field of <i>OutBuffer</i> is not ACPI_ALLOCATE_BUFFER , but the <i>Pointer</i> field of <i>OutBuffer</i> is NULL.
AE_BUFFER_OVERFLOW	The Length field of OutBuffer indicates that the buffer is too small to hold the IRQ table. Upon return, the Length field contains the minimum required buffer length.
AE_TYPE	The Device handle refers to an object that is not of type ACPI_TYPE_DEVICE .

Functional Description:

This function obtains the IRQ routing table for a specific bus. It does so by attempting to execute the `_PRT` method contained in the scope of the device whose handle is passed as a parameter.

If the function fails an appropriate status will be returned and the value of *OutBuffer* is undefined.



8.9.6 AcpiGetVendorResource

Find a resource of type Vendor-Defined
--

ACPI_STATUS

AcpiGetVendorResource (

ACPI_HANDLE	Device,
char	*Name,
ACPI_VENDOR_UUID	*Uuid,
ACPI_BUFFER	*OutBuffer)

PARAMETERS

Device	A handle to the parent Device that owns the vendor resource.
Name	Name of the parent resource list (_CRS or _PRS).
Uuid	A pointer to the UUID to be matched. The ACPI_VENDOR_UUID structure includes both the subtype and the 16-byte UUID.
OutBuffer	Where the vendor resource is returned.

RETURN VALUE

Status	Exception code that indicates success or reason for failure.
--------	--

EXCEPTIONS

AE_OK	The vendor resource was successfully acquired.
AE_BAD_PARAMETER	At least one of the following is true: The <i>DeviceHandle</i> is invalid. The <i>Name</i> does not refer to a _CRS or _PRS control method. The OutBuffer of UUID pointer is NULL. The <i>Length</i> field of <i>OutBuffer</i> is not ACPI_ALLOCATE_BUFFER , but the <i>Pointer</i> field of <i>OutBuffer</i> is NULL.
AE_NOT_EXIST	The <i>Name</i> could not be found.

Functional Description:

This function retrieves a resource of type *vendor-defined* that matches the supplied UUID and UUID subtype.



8.9.7 AcpiBufferToResource

Convert a raw AML ResourceTemplate to an ACPI_RESOURCE list

ACPI_STATUS

AcpiBufferToResource (

 UINT8

 *AmlBuffer,

 UINT16

 AmlBufferLength,

 ACPI_RESOURCE

 **OutResource)

PARAMETERS

AmlBuffer Raw AML resource template to be converted.

AmlBufferLength Length of the AmlBuffer in bytes.

OutResource Where the converted resource is returned.

RETURN VALUE

Status Exception code that indicates success or reason for failure.

EXCEPTIONS

AE_OK The resource was successfully converted.

AE_NO_MEMORY Could not allocate memory for the OutResource buffer.

AE_AML_INVALID_RESOURCE_TYPE The input buffer is not a valid resource template buffer

AE_AML_INVALID_RESOURCE_LENGTH The input buffer is not a valid resource template buffer

Functional Description:

This utility function converts a raw AML resource template (such as a template buffer returned from a predefined ACPI method) into an ACPI_RESOURCE list which is easier to use.

The caller is responsible for the deletion of the *OutResource buffer (via ACPI_FREE.)



8.9.8 AcpiResourceToAddress64

Convert an address resource descriptor to 64 bits

```

ACPI_STATUS
AcpiResourceToAddress64 (
    ACPI_RESOURCE             *Resource,
    ACPI_RESOURCE_ADDRESS64  *OutResource)

```

PARAMETERS

Resource The resource descriptor to be converted. This resource must be one of the following types:

```

    ACPI_RESOURCE_TYPE_ADDRESS16
    ACPI_RESOURCE_TYPE_ADDRESS32
    ACPI_RESOURCE_TYPE_ADDRESS64

```

OutResource Where the converted resource is returned.

RETURN VALUE

Status Exception code that indicates success or reason for failure.

EXCEPTIONS

AE_OK The resource was successfully converted.

AE_BAD_PARAMETER The resource is not of the correct type.

Functional Description:

This utility function converts resources of type **ADDRESS16** and **ADDRESS32** to **ADDRESS64**. This saves the caller from having to duplicate code for different-sized address descriptors. If the input descriptor is of type **ADDRESS64**, a simple copy is performed.

8.9.9 AcpiWalkResourceBuffer

Walk a list of ACPI Resources (Resource Template)

```

ACPI_STATUS
AcpiWalkResourceBuffer (
    ACPI_BUFFER             *Buffer,
    ACPI_WALK_RESOURCE_CALLBACK UserFunction,
    void                    *UserContext)

```

PARAMETERS

Buffer A pointer to an **ACPI_BUFFER** object containing an ACPI Resource Template as returned by one of the following interfaces:



AcpiGetCurrentResources
AcpiGetPossibleResources
AcpiGetEventResources
AcpiGetVendorResource
AcpiBufferToResource

UserFunction A pointer to a user-written function that is invoked for each resource object within the resource list. (See the interface specification for the user function below.)

UserContext A value that will be passed as a parameter to the user function each time it is invoked.

RETURN VALUE

Status Exception code that indicates success or reason for failure.

EXCEPTIONS

AE_OK The walk was successfully completed.

AE_BAD_PARAMETER At least one of the following is true:
 The *Buffer* is invalid.
 The *UserFunction* pointer is invalid.

AE_NO_MEMORY Insufficient dynamic memory to complete the operation.

Functional Description:

This function walks a resource list contained in the input buffer. The User Function is called once for each resource in the list – freeing the caller from having to parse the list itself.

8.9.9.1 Interface to User Callback Function

Interface to the user function that is invoked from either *AcpiWalkResourceBuffer* or *AcpiWalkResources*.

ACPI_STATUS (*ACPI_WALK_RESOURCE_CALLBACK) (
ACPI_RESOURCE *Resource,
void *Context)

PARAMETERS

Resource A pointer to a single resource within the resource list.

Context The UserContext value that was passed as a parameter to the *AcpiWalkResourceBuffer* or *AcpiWalkResources* function.

RETURN VALUE

Status AE_OK Continue the walk.



AE_TERMINATE	Stop the walk immediately.
AE_DEPTH	Go no deeper into the namespace tree.
All others	Abort the walk with this exception code.

Functional Description:

This function is called from either *AcpiWalkResourceBuffer* or *AcpiWalkResource* for each resource object in the resource list.

8.9.10 AcpiWalkResources

Create and walk a list of ACPI Resources (Resource Template)

```

ACPI_STATUS
AcpiWalkResources (
    ACPI_HANDLE          Device,
    char                 *Name,
    ACPI_WALK_RESOURCE_CALLBACK UserFunction,
    void                 *UserContext)

```

PARAMETERS

Device	A handle to the Device for which one of the resource lists will be walked:
Name	A string containing the name of a resource method (either a _CRS , _PRS , or _AEI method) to be invoked.
UserFunction	A pointer to a user-written function that is invoked for each resource object within the resource list. (See the interface specification for the user function for the <i>AcpiWalkResourceBuffer</i> above.)
UserContext	A value that will be passed as a parameter to the user function each time it is invoked.

RETURN VALUE

Status	Exception code that indicates success or reason for failure.
--------	--

EXCEPTIONS

AE_OK	The walk was successfully completed.
AE_BAD_PARAMETER	At least one of the following is true: The <i>Device</i> is not a valid handle. The <i>UserFunction</i> pointer is invalid.

**RETURN VALUE**

Memory	A pointer to the allocated memory. A NULL pointer is returned on error.
--------	---

Functional Description:

This function dynamically allocates memory. The returned memory cannot be assumed to be initialized to any particular value or values.

8.10.2 ACPI_ALLOCATE_ZEROED

Allocate and initialize memory.
--

```
void *
ACPI_ALLOCATE_ZEROED (
    ACPI_SIZE          Size)
```

PARAMETERS

Size	Amount of memory to allocate.
------	-------------------------------

RETURN VALUE

Memory	A pointer to the allocated memory. A NULL pointer is returned on error.
--------	---

Functional Description:

This function dynamically allocates and initializes memory. The returned memory is guaranteed to be initialized to all zeros.

8.10.3 ACPI_FREE

Free previously allocated memory.
--

```
void
ACPI_FREE (
    void          *Memory)
```

PARAMETERS

Memory	A pointer to the memory to be freed.
--------	--------------------------------------

RETURN VALUE

None

**Functional Description:**

This function frees memory that was previously allocated via *ACPI_ALLOCATE* or *ACPI_ALLOCATE_ZEROED*.

8.11 Formatted Output

8.11.1 AcpilInfo and ACPI_INFO

Print a formatted information/comment string.

```
void  
AcpilInfo (  
    const char          *ModuleName,  
    UINT32              LineNumber,  
    const char          *Format,  
    ...)
```

PARAMETERS

ModuleName	The name of the currently executing module or filename.
LineNumber	The current line number within the currently executing module.
Format	A standard printf-style format string.

RETURN VALUE

None

EXCEPTIONS

None

Functional Description:

This function prints a formatted error message using the *AcpilPrintf* and *AcpilVprintf* OSL interfaces. The format of the output string is as follows:

ACPI: (ModuleName-LineNumber): <message> [ACPICA version number]

The ACPI_INFO macro

The front-end to this function is the *ACPI_INFO* macro.

Example: The following invocation of the *ACPI_INFO* macro:

```
ACPI_INFO ((AE_INFO, "ACPICA example info message"));
```

Produces this output:



ACPI: ACPICA example info message

The AE_INFO macro is required and automatically injects the module name and line number into the invocation of *AcpiInfo*. Note the use of double parentheses which are required in order to pass the parameters to the printf OSL functions.

8.11.2 AcpiWarning and ACPI_WARNING

Print a formatted warning string.

```
void
AcpiWarning (
    const char          *ModuleName,
    UINT32              LineNumber,
    const char          *Format,
    ...)

```

PARAMETERS

ModuleName	The name of the currently executing module or filename.
LineNumber	The current line number within the currently executing module.
Format	A standard printf-style format string.

RETURN VALUE

None

EXCEPTIONS

None

Functional Description:

This function prints a formatted error message using the *AcpiOsPrintf* and *AcpiOsVprintf* OSL interfaces. The format of the output string is as follows:

ACPI Warning (ModuleName-LineNumber): <message> [ACPICA version number]

The ACPI_WARNING macro

The front-end to this function is the ACPI_WARNING macro.

Example: The following invocation of the ACPI_WARNING macro:

```
ACPI_WARNING ((AE_INFO, "ACPICA example warning message"));
```

Produces this output:

```
ACPI Warning: ACPICA example warn message [20080926]
```



The `AE_INFO` macro is required and automatically injects the module name and line number into the invocation of `AcpiWarning`. Note the use of double parentheses which are required in order to pass the parameters to the `printf` OSL functions.

8.11.3 AcpiError and ACPI_ERROR

Print a formatted error string.

```
void
AcpiError (
    const char          *ModuleName,
    UINT32             LineNumber,
    const char          *Format,
    ...)
```

PARAMETERS

ModuleName	The name of the currently executing module or filename.
LineNumber	The current line number within the currently executing module.
Format	A standard <code>printf</code> -style format string.

RETURN VALUE

None

EXCEPTIONS

None

Functional Description:

This function prints a formatted error message using the `AcpiOsPrintf` and `AcpiOsVprintf` OSL interfaces. The format of the output string is as follows:

ACPI Error (ModuleName-LineNumber): <message> [ACPICA version number]

The ACPI_ERROR macro

The front-end to this function is the `ACPI_ERROR` macro.

Example: The following invocation of the `ACPI_ERROR` macro:

```
ACPI_ERROR ((AE_INFO, "ACPICA example error message"));
```

Produces this output:

```
ACPI Error: ACPICA example error message [20080926]
```



The `AE_INFO` macro is required and automatically injects the module name and line number into the invocation of `AcpiError`. Note the use of double parentheses which are required in order to pass the parameters to the `printf` OSL functions.

8.11.4 AcpiException and ACPI_EXCEPTION

Print a formatted error string with decoded ACPICA exception code

```
void
AcpiException (
    const char          *ModuleName,
    UINT32              LineNumber,
    ACPI_STATUS         Status,
    const char          *Format,
    ...)

```

PARAMETERS

ModuleName	The name of the currently executing module or filename.
LineNumber	The current line number within the currently executing module.
Status	ACPICA status to be decoded and displayed.
Format	A standard <code>printf</code> -style format string.

RETURN VALUE

None

EXCEPTIONS

None

Functional Description:

This function prints a formatted error message using the `AcpiOsPrintf` and `AcpiOsVprintf` OSL interfaces. The format of the output string is as follows:

ACPI Exception (ModuleName-LineNumber): <message> [ACPICA version number]

The ACPI_EXCEPTION macro

The front-end to this function is the `ACPI_EXCEPTION` macro.

Example: The following invocation of the `ACPI_EXCEPTION` macro:

```
ACPI_EXCEPTION ((AE_INFO, Status, "ACPICA example error message"));
```

Produces this output:

```
ACPI Exception: AE_ERROR, ACPICA status [20080926]
```



The `AE_INFO` macro is required and automatically injects the module name and line number into the invocation of *AcpiException*. Note the use of double parentheses which are required in order to pass the parameters to the `printf` OSL functions.

8.11.5 AcpiBiosWarning and ACPI_BIOS_WARNING

Print a formatted warning string for BIOS/firmware issues.

```
void
AcpiBiosWarning (
    const char          *ModuleName,
    UINT32              LineNumber,
    const char          *Format,
    ...)
```

PARAMETERS

ModuleName	The name of the currently executing module or filename.
LineNumber	The current line number within the currently executing module.
Format	A standard <code>printf</code> -style format string.

RETURN VALUE

None

EXCEPTIONS

None

Functional Description:

This function prints a formatted error message using the *AcpiOsPrintf* and *AcpiOsVprintf* OSL interfaces. It is intended to be used when the host detects a problem that is specific to the platform BIOS/firmware. The format of the output string is as follows:

ACPI Firmware Warning (ModuleName-LineNumber): <message> [ACPICA version number]

The ACPI_BIOS_WARNING macro

The front-end to this function is the `ACPI_BIOS_WARNING` macro.

Example: The following invocation of the `ACPI_BIOS_WARNING` macro:

```
ACPI_BIOS_WARNING ((AE_INFO, "ACPICA example warning message"));
```

Produces this output:

```
ACPI BIOS Bug: Warning: ACPICA example warn message [20080926]
```



The `AE_INFO` macro is required and automatically injects the module name and line number into the invocation of `AcpiBiosWarning`. Note the use of double parentheses which are required in order to pass the parameters to the `printf` OSL functions.

8.11.6 AcpiBiosError and ACPI_BIOS_ERROR

Print a formatted error string for BIOS/firmware issues.

```
void
AcpiBiosError (
    const char          *ModuleName,
    UINT32             LineNumber,
    const char          *Format,
    ...)

```

PARAMETERS

ModuleName	The name of the currently executing module or filename.
LineNumber	The current line number within the currently executing module.
Format	A standard <code>printf</code> -style format string.

RETURN VALUE

None

EXCEPTIONS

None

Functional Description:

This function prints a formatted error message using the `AcpiOsPrintf` and `AcpiOsVprintf` OSL interfaces. It is intended to be used when the host detects a problem that is specific to the platform BIOS/firmware. The format of the output string is as follows:

ACPI Firmware Error (ModuleName-LineNumber): <message> [ACPICA version number]

The ACPI_BIOS_ERROR macro

The front-end to this function is the `ACPI_BIOS_ERROR` macro.

Example: The following invocation of the `ACPI_BIOS_ERROR` macro:

```
ACPI_BIOS_ERROR ((AE_INFO, "ACPICA example error message"));
```

Produces this output:

```
ACPI BIOS Bug: Error: ACPICA example error message [20080926]
```



The `AE_INFO` macro is required and automatically injects the module name and line number into the invocation of `AcpiBiosError`. Note the use of double parentheses which are required in order to pass the parameters to the `printf` OSL functions.

8.11.7 AcpiDebugPrint and ACPI_DEBUG_PRINT

Print a formatted debug string.

```
void
AcpiDebugPrint (
    UINT32                RequestedDebugLevel,
    UINT32                LineNumber,
    const char            *FunctionName,
    const char            *ModuleName,
    UINT32                ComponentId,
    const char            *Format,
    ...)
```

PARAMETERS

RequestedDebugLevel

The debug level for this statement. This value is compared to the current `AcpiDbgLevel` mask to determine if this message will be output or not. Must be one of the following:

ACPI_DB_INIT
ACPI_DB_DEBUG_OBJECT
ACPI_DB_INFO
ACPI_DB_ALL_EXCEPTIONS
ACPI_DB_INIT_NAMES
ACPI_DB_PARSE
ACPI_DB_LOAD
ACPI_DB_DISPATCH
ACPI_DB_EXEC
ACPI_DB_NAMES
ACPI_DB_OPREGION
ACPI_DB_BFIELD
ACPI_DB_TABLES
ACPI_DB_VALUES
ACPI_DB_OBJECTS
ACPI_DB_RESOURCES
ACPI_DB_USER_REQUESTS
ACPI_DB_PACKAGE
ACPI_DB_ALLOCATIONS
ACPI_DB_FUNCTIONS
ACPI_DB_OPTIMIZATIONS
ACPI_DB_MUTEX
ACPI_DB_THREADS
ACPI_DB_IO
ACPI_DB_INTERRUPTS
ACPI_DB_EVENTS
ACPI_DB_ALL



LineNumber	The current line number within the currently executing module.
FunctionName	The name of the currently executing function.
ModuleName	The name of the currently executing module or filename.
ComponentId	The ID of the executing component. Currently defined IDs are:

ACPI_UTILITIES
ACPI_HARDWARE
ACPI_EVENTS
ACPI_TABLES
ACPI_NAMESPACE
ACPI_PARSER
ACPI_DISPATCHER
ACPI_EXECUTER
ACPI_RESOURCES
ACPI_CA_DEBUGGER
ACPI_OS_SERVICES
ACPI_CA_DISASSEMBLER
ACPI_COMPILER
ACPI_TOOLS
ACPI_EXAMPLE
ACPI_DRIVER

Format	A standard printf-style format string.
--------	--

RETURN VALUE

None

EXCEPTIONS

None

Functional Description:

This function prints debug messages only if the debug level and the component ID match in the global level/layer masks. This mechanism is useful to pare down the amount of debug output that is produced. In addition to the input string, the module name, the line number, and the function name are added to the output.

The ACPI_DEBUG_PRINT macro

The front end to the AcpiDebugPrint interface

Example: The following invocation of the ACPI_DEBUG_PRINT macro

```
ACPI_DEBUG_PRINT ((ACPI_DB_INFO, "Example Debug output"));
```

Produces this output:

```
examples-0200 [00] Examples-main          : Example Debug output
```




8.11.8 AcpiDebugPrintRaw and ACPI_DEBUG_PRINT_RAW

Print a formatted debug string, with no extra data.

```

void
AcpiDebugPrintRaw (
    UINT32                RequestedDebugLevel,
    UINT32                LineNumber,
    const char            *FunctionName,
    const char            *ModuleName,
    UINT32                ComponentId,
    const char            *Format,
    ...)

```

PARAMETERS

See the definition of *AcpiDebugPrint*

Functional Description:

This function prints debug messages only if the debug level and the component ID match in the global level/layer masks. This mechanism is useful to pare down the amount of debug output that is produced. The message produced by this function is not embellished with the line number, function name, and module name as is performed by ACPI_DEBUG_PRINT.

The ACPI_DEBUG_PRINT_RAW macro

The front end to the AcpiDebugPrintRaw interface.

Example: The following invocation of the ACPI_DEBUG_PRINT_RAW macro

```
ACPI_DEBUG_PRINT_RAW ((ACPI_DB_INFO, "Example Debug output"));
```

Produces this output:

```
Example Debug output
```

8.12 Miscellaneous Utilities

8.12.1 AcpiCheckAddressRange

Check a Memory or I/O address range for conflict(s) with ACPI Operation Regions.

```

UINT32
AcpiCheckAddressRange (
    ACPI_ADR_SPACE_TYPE    SpaceId,
    ACPI_PHYSICAL_ADDRESS  Address,
    ACPI_SIZE              Length,
    BOOLEAN                EmitWarning)

```

**PARAMETERS**

SpaceId	The ACPI address space to be checked. Must be one of the following constants (Note: for values other than the two below, the request is simply ignored and zero is returned.) ACPI_ADR_SPACE_SYSTEM_MEMORY ACPI_ADR_SPACE_SYSTEM_IO
Address	The physical address of the address range to be checked.
Length	Length of the address range to be checked.
EmitWarning	If TRUE, emit a warning string for each of the conflicts discovered. Otherwise, remain quiet and simply return the number of detected conflicts.

RETURN VALUE

ConflictCount	Count of the total number of conflicts detected in the SpaceId:Address:Length range. Zero is returned if no conflicts were detected or the SpaceId is not Memory or I/O.
---------------	--

EXCEPTIONS

None

Functional Description:

This function checks all defined ACPI Operation Regions (in the ACPI namespace) for a conflict with the input address range. It is useful for detecting possible address conflicts between host device drivers and the ACPI namespace. An “address conflict” is defined by any overlap (partial or complete) between the input address range and an ACPI Operation Region of the same SpaceId.

8.12.2 AcpiDebugTrace

Enable debug tracing of control method execution

ACPI_STATUS**AcpiDebugTrace (**

char	*Name,
UINT32	DebugLevel,
UINT32	DebugLayer,
UINT32	Flags)

PARAMETERS

Name	Name of the control method to be traced. Currently, only a 4-character ACPI name is supported.
DebugLevel	The debug level used for the trace.



DebugLayer The debug layer used for the trace.

Flags Sets the type of trace:
 1 – One shot trace
 0 – Persistent trace

RETURN VALUE

Status Exception code that indicates success or reason for failure.

EXCEPTIONS

AE_OK The system information list was successfully returned.

Functional Description:

This function enables debug tracing of an individual control method.

8.12.3 AcpiDecodePldBuffer

Decode a bit-packed buffer returned from the `_PLD` reserved name/method.

ACPI_STATUS

AcpiCheckAddressRange (
 UINT8 *Buffer,
 ACPI_SIZE Length,
 ACPI_PLD_INFO **ReturnBuffer)

PARAMETERS

Buffer A bit-packed data buffer as returned from the `_PLD` method (Physical Location of Device.)

Length Length of the input buffer.

ReturnBuffer Where the decoded buffer is returned. The caller is responsible for deallocating this buffer via the **ACPI_FREE** macro.

RETURN VALUE

Status Exception code that indicates success or reason for failure.

EXCEPTIONS

AE_OK The buffer was successfully decoded.

AE_BAD_PARAMETER At least one of the following is true:

The *Buffer* pointer is invalid.

The *ReturnBuffer* pointer is invalid.



The *OutBuffer* pointer is NULL.

The *Length* field of *OutBuffer* is not **ACPI_ALLOCATE_BUFFER**, but the *Pointer* field of *OutBuffer* is NULL.

AE_BUFFER_OVERFLOW The *Length* field of *OutBuffer* indicates that the buffer is too small to hold the system information. Upon return, the *Length* field contains the minimum required buffer length.

Functional Description:

This function obtains information about the current state of the ACPI system. It will return system information in the *OutBuffer* structure. Upon completion the *Length* field of *OutBuffer* will indicate the number of bytes copied into the *Pointer* field of the *OutBuffer* buffer. This routine will never return a partial resource structure.

If the function fails an appropriate status will be returned and the value of *OutBuffer* is undefined.

The structure that is returned in *OutBuffer* is defined as follows:

```
typedef struct _AcpiSysInfo
{
    UINT32          AcpiCaVersion;
    UINT32          Flags;
    UINT32          TimerResolution;
    UINT32          Reserved1;
    UINT32          Reserved2;
    UINT32          DebugLevel;
    UINT32          DebugLayer;
} ACPI_SYSTEM_INFO;
```

Where:

AcpiCaVersion	Version number of the ACPICA Subsystem, in the form 0xYYYYMMDD.
Flags	Static information about the system: ACPI_SYS_MODE ACPI ACPI mode is supported on this system. ACPI_SYS_MODE_LEGACY Legacy mode is supported.
TimerResolution	Resolution of the ACPI Power Management Timer. Either 24 or 32 indicating the corresponding number of bits of resolution.
DebugLevel	Current value of the global variable that controls the debug output verbosity.
DebugLayer	Current value of the global variable that controls the internal layers whose debug output is enabled.



decrease as GPE block devices are installed or removed. This value also serves as the maximum index value for the *AcpiGetGpeDevice* interface.

8.13.4 AcpiGbl_SystemAwakeAndRunning

This boolean is set to FALSE just before the system sleeps. It is then set to TRUE as the system wakes.



9.1.4 AcpiOsPredefinedOverride

Allow the host OS to override a predefined ACPI object.

```
ACPI_STATUS  
AcpiOsPredefinedOverride (  
    const ACPI_PREDEFINED_NAMES *PredefinedObject,  
    ACPI_STRING *NewValue)
```

PARAMETERS

PredefinedObject	A pointer to a predefined object (name and initial value.)
NewValue	Where a new value for the predefined object is returned. NULL if there is no override for this object.

RETURN VALUE

Status	Exception code that indicates success or reason for failure.
--------	--

Functional Description:

This function allows the host to override the predefined objects in the ACPI namespace.

9.1.5 AcpiOsTableOverride

Allow the host OS to override a firmware ACPI table via a logical address.

```
ACPI_STATUS  
AcpiOsTableOverride (  
    ACPI_TABLE_HEADER *ExistingTable,  
    ACPI_TABLE_HEADER **NewTable)
```

PARAMETERS

ExistingTable	A pointer to the header of the existing ACPI table.
NewTable	Where the pointer to the replacement table is returned. The OSL returns NULL if no replacement is provided.

RETURN VALUE

Status	Exception code that indicates success or reason for failure.
--------	--

Functional Description:

This function allows the host to override an ACPI table that was found in the firmware via a logical address (pointer). The host OS can examine the existing table header for the table signature and version number(s) and decide to replace it if desired. Note: for the existing table, only the table header is guaranteed to be valid and accessible, not the entire table. Further, the header is only



guaranteed to be valid and accessible for the duration of the execution of this function. It may be unmapped immediately afterwards. Also see *AcpiOsPhysicalTableOverride*.

The full identification of an ACPI table includes the following header items:

- The 4-character ACPI signature
- The Revision
- The table Length
- The OEM ID string
- The OEM Table ID string
- The OEM Revision

ACPI Table Header Definition

```
typedef struct /* ACPI common table header */
{
    char        Signature [4];        /* Identifies type of table */
    UINT32      Length;               /* Length of table, in bytes, */
                                        /* including header */
    UINT8       Revision;             /* Specification minor version # */
    UINT8       Checksum;             /* To make sum of entire table = 0 */
    char        OemId [6];            /* OEM identification */
    char        OemTableId [8];       /* OEM table identification */
    UINT32      OemRevision;          /* OEM revision number */
    char        AslCompilerId [4];    /* ASL compiler vendor ID */
    UINT32      AslCompilerRevision; /* ASL compiler revision number */
} ACPI_TABLE_HEADER;
```

During initialization, ACPICA will invoke this interface once for each table defined in the RSDT/XSDT, and once for the DSDT (pointed to by the FADT). This includes all tables in the RSDT/XSDT, even tables that are not directly consumed by ACPICA such as ECDDT, MADT, SRAT, SLIT, etc., and all of the OEMx tables.

Tables are installed and *AcpiOsTableOverride* is called in the order that they appear in the RSDT/XSDT. This may be important for tables that can have multiple instantiations such as the SSDT or UEFI tables. If the host wishes to replace an individual SSDT, it can keep track of the SSDT instantiations, or it can differentiate SSDTs based upon the full ACPI table identification described above.

ACPICA will also call this interface for each table that is dynamically loaded via the **Load** AML operator. Tables that are loaded via this mechanism are typically SSDTs and OEMx tables.

The **LoadTable** AML operator is used to load the namespace from tables that appear in the RSDT/XSDT with signatures other than SSDT, typically the OEMx tables that contain executable AML code. These tables can be replaced during the initialization phase when ACPICA traverses the RSDT/XSDT as above. *AcpiOsTableOverride* is therefore not invoked when a **LoadTable** is executed.



9.1.6 AcpiOsPhysicalTableOverride

Allow the host OS to override a firmware ACPI table via a physical address.

ACPI_STATUS

AcpiOsPhysicalTableOverride (
ACPI_TABLE_HEADER *ExistingTable,
ACPI_PHYSICAL_ADDRESS *NewAddress,
UINT32 *NewTableLength)

PARAMETERS

ExistingTable	A pointer to the header of the existing ACPI table.
NewAddress	Where the physical address of the replacement table is returned. The OSL returns NULL if no replacement is provided.
NewLength	Where the length of the replacement table is returned.

RETURN VALUE

Status	Exception code that indicates success or reason for failure.
--------	--

Functional Description:

This function allows the host to override an ACPI table that was found in the firmware with a new table via a physical address and length. The host OS can examine the existing table header for the table signature and version number(s) and decide to replace it if desired. Note: for the existing table, only the table header is guaranteed to be valid and accessible, not the entire table. Further, the header is only guaranteed to be valid and accessible for the duration of the execution of this function. It may be unmapped immediately afterwards. When this function exits, ACPICA will create a mapping for the new table and manage it for the life of the table. Also see *AcpiOsTableOverride*.



9.2 Memory Management

These interfaces provide an OS-independent memory management interface.

9.2.1 AcpiOsCreateCache

Create a memory cache object

ACPI_STATUS

AcpiOsCreateCache (

char	*CacheName,
UINT16	ObjectSize,
UINT16	MaxDepth,
ACPI_CACHE_T	**ReturnCache)

PARAMETERS

CacheName	An ASCII identifier for the cache. May or may not be used by the host.
ObjectSize	The size of each object in the cache.
MaxDepth	Maximum depth of the cache (max number of objects.) May or may not be used by the host.
ReturnCache	Where a pointer to the cache object is returned.

RETURN VALUE

Status	Exception code that indicates success or reason for failure.
--------	--

EXCEPTIONS

AE_OK	The cache was successfully created.
AE_BAD_PARAMETER	At least one of the following is true: The ReturnCache pointer is NULL. The ObjectSize is less than 16.
AE_NO_MEMORY	Insufficient dynamic memory to complete the operation.

Functional Description:

This function creates a cache object. Many host operating systems have a cache manager that can be used to implement the cache functions. The ACPICA code uses many dynamic objects of the same size (such as the ACPI_OPERAND_OBJECT), and the use of a cache can improve performance considerably.



9.2.2 AcpiOsDeleteCache

Delete a memory cache object.

ACPI_STATUS
AcpiOsDeleteCache (
 ACPI_CACHE_T *Cache)

PARAMETERS

Cache The cache object to be deleted.

RETURN VALUE

Status Exception code that indicates success or reason for failure.

EXCEPTIONS

AE_OK The cache was successfully created.

AE_BAD_PARAMETER The *Cache* pointer is NULL.

Functional Description:

This function deletes a cache object that was created via *AcpiOsCreateCache*. Any objects currently within the cache must also be deleted.

9.2.3 AcpiOsPurgeCache

Free all objects currently within a cache object.

ACPI_STATUS
AcpiOsPurgeCache (
 ACPI_CACHE_T *Cache)

PARAMETERS

Cache The cache object to be deleted.

RETURN VALUE

Status Exception code that indicates success or reason for failure.

EXCEPTIONS

AE_OK The cache was successfully created.

AE_BAD_PARAMETER The *Cache* pointer is NULL.



Functional Description:

This function deletes all objects that currently reside within a cache.

9.2.4 AcpiOsAcquireObject

Acquire an object from a cache.

```
void *
AcpiOsAcquireObject (
    ACPI_CACHE_T          *Cache)
```

PARAMETERS

Cache	The cache object from which to acquire an object.
-------	---

RETURN VALUE

Object	A pointer to a cache object. NULL if the object could not be acquired.
--------	--

EXCEPTIONS

NULL is returned if an object could not be acquired.

Functional Description:

This function acquires an object from the specified cache.

9.2.5 AcpiOsReleaseObject

Release an object to a cache.

```
ACPI_STATUS
AcpiOsReleaseObject (
    ACPI_CACHE_T          *Cache,
    void                  *Object)
```

PARAMETERS

Cache	The cache object to which the object will be released.
Object	The object to be released.

RETURN VALUE

Status	Exception code that indicates success or reason for failure.
--------	--

**EXCEPTIONS**

AE_OK	The cache was successfully created.
AE_BAD_PARAMETER	The Cache or Object pointer is NULL.

Functional Description:

This function releases an object back to the specified cache. It must have been previously acquired from the same cache via *AcpiOsAcquireObject*.

9.2.6 AcpiOsMapMemory

Map physical memory into the caller's address space.

```
void *  
AcpiOsMapMemory (  
    ACPI_PHYSICAL_ADDRESS PhysicalAddress,  
    ACPI_SIZE Length)
```

PARAMETERS

PhysicalAddress	A full physical address of the memory to be mapped into the caller's address space.
Length	The amount of memory to be mapped starting at the given physical address.

RETURN VALUE

LogicalAddress	Pointer to the mapped memory. A NULL pointer indicates failure.
----------------	---

EXCEPTIONS

NULL is returned if there was a mapping failure.

Functional Description:

This function maps a physical address into the caller's address space. A logical pointer is returned.



9.2.7 AcpiOsUnmapMemory

Remove a physical to logical memory mapping.

```
void
AcpiOsUnmapMemory (
    void                *LogicalAddress,
    ACPI_SIZE           Length)
```

PARAMETERS

LogicalAddress	The logical address that was returned from a previous call to <i>AcpiOsMapMemory</i> .
Length	The amount of memory that was mapped. This value must be identical to the value used in the call to <i>AcpiOsMapMemory</i> .

RETURN VALUE

None

Functional Description:

This function deletes a mapping that was created by *AcpiOsMapMemory*.

9.2.8 AcpiOsGetPhysicalAddress

Translate a logical address to a physical address.

```
ACPI_STATUS
AcpiOsGetPhysicalAddress (
    void                *LogicalAddress,
    ACPI_PHYSICAL_ADDRESS *PhysicalAddress)
```

PARAMETERS

LogicalAddress	The logical address to be translated.
PhysicalAddress	The physical memory address of the logical address.

RETURN VALUE

AE_OK	The logical address translation was successfully.
AE_ERROR	An error occurred in the translation system call.
AE_BAD_PARAMETER	One or both of the parameters are NULL, no translation was attempted.



9.2.11 AcpiOsReadable

Check if a memory region is readable.

BOOLEAN
AcpiOsReadable (
void
ACPI_SIZE

***Memory**
Length)

PARAMETERS

Memory	A pointer to the memory region to be checked.
Length	The length of the memory region, in bytes.

RETURN VALUE

TRUE	If the entire memory region is readable without faults.
FALSE	If one or more bytes within the region are unreadable.

Functional Description:

This function validates that a pointer to a memory region is valid and the entire region is readable. Used to validate input parameters to the ACPICA subsystem.

9.2.12 AcpiOsWritable

Check if a memory region is writable (and readable).

BOOLEAN
AcpiOsWritable (
void
ACPI_SIZE

***Memory,**
Length)

PARAMETERS

Memory	A pointer to the memory region to be checked.
Length	The length of the memory region, in bytes.

RETURN VALUE

TRUE	If the entire memory region is both readable and writable without faults
FALSE	If one or more bytes within the region are unreadable or unwritable.

**PARAMETERS**

Type	Type of the callback function: OSL_GLOBAL_LOCK_HANDLER OSL_NOTIFY_HANDLER OSL_GPE_HANDLER OSL_DEBUGGER_THREAD OSL_EC_POLL_HANDLER OSL_EC_BURST_HANDLER
Function	Address of the procedure to execute.
Context	A context value to be passed to the called procedure.

RETURN VALUE

Status	Exception code that indicates success or reason for failure.
--------	--

EXCEPTIONS

AE_OK	The procedure was successfully queued for execution by the host operating system. This does not indicate that the procedure has actually executed, however.
AE_BAD_PARAMETER	At least one of the following is true: The <i>Priority</i> is invalid. The <i>Function</i> pointer is NULL.

Functional Description:

This function queues a procedure for later scheduling and execution.

9.3.3 AcpiOsSleep

Suspend the running task (course granularity).

```
void
AcpiOsSleep (
    UINT64                      Milliseconds)
```

PARAMETERS

Milliseconds	The amount of time to sleep, in milliseconds.
--------------	---

RETURN VALUE

None

**Functional Description:**

This function sleeps for the specified time. Execution of the running thread is suspended for this time. The sleep granularity is one millisecond.

9.3.4 AcpiOsStall

Wait for a short amount of time (fine granularity).

```
void  
AcpiOsStall (  
    UINT32                Microseconds)
```

PARAMETERS

Microseconds The amount of time to delay, in microseconds.

RETURN VALUE

None

Functional Description:

This function waits for the specified time. Execution of the running thread is not suspended for this time. The time granularity is one microsecond.

9.3.5 AcpiOsWaitEventsComplete

Wait for completion of asynchronous events.

```
void  
AcpiOsWaitEventsComplete (  
    void)
```

PARAMETERS

None

RETURN VALUE

None

Functional Description:

This function blocks until all asynchronous events initiated by AcpiOsExecute have completed. Within ACPICA, this function is called before removal of Notify and GPE handlers. For the host, this function may be useful in related areas, such as blocking for Embedded Controller event completion.



9.4 Mutual Exclusion and Synchronization

Thread synchronization and locking.

These interfaces **MUST** perform parameter validation of the input handle to at least the extent of detecting a null handle and returning the appropriate exception.

9.4.1 AcpiOsCreateMutex

Create a mutex object.

```
ACPI_STATUS
AcpiOsCreateMutex (
    ACPI_MUTEX          *OutHandle)
```

PARAMETERS

OutHandle	A pointer to a location where a handle to the mutex is to be returned.
-----------	--

RETURN VALUE

Status	Exception code that indicates success or reason for failure.
--------	--

EXCEPTIONS

AE_OK	The mutex was successfully created.
AE_BAD_PARAMETER	The <i>OutHandle</i> pointer is NULL.
AE_NO_MEMORY	Insufficient memory to create the mutex.

Functional Description:

Create a mutex object. Some host operating systems have separate mutex interfaces that can be used to implement this and the other OSL mutex interfaces. If not, the the mutex interfaces can be implemented with semaphore interfaces.

9.4.2 AcpiOsDeleteMutex

Delete a mutex object.

```
void
AcpiOsDeleteMutex (
    ACPI_MUTEX          Handle)
```

PARAMETERS

Handle	The mutex to be deleted.
--------	--------------------------

**RETURN VALUE**

None.

Functional Description:

Deletes a mutex object.

9.4.3 AcpiOsAcquireMutex**Acquire ownership of a mutex object.****ACPI_STATUS****AcpiOsAcquireMutex (**
ACPI_MUTEX
UINT16**Handle,**
Timeout)**PARAMETERS**

Handle	The mutex to be acquired.
Timeout	How long the caller is willing to wait for the requested units. The timeout is specified in milliseconds. A value of 0xFFFF (-1) indicates that the calling thread is willing to wait forever.

RETURN VALUE

Status	Exception code that indicates success or reason for failure.
--------	--

EXCEPTIONS

AE_OK	The mutex was successfully acquired.
AE_BAD_PARAMETER	The <i>Handle</i> pointer is NULL.
AE_TIME	The mutex could not be acquired within the specified time limit.

Functional Description:

Acquire ownership of a mutex object.



The *OutHandle* pointer is NULL.

AE_NO_MEMORY

Insufficient memory to create the semaphore.

Functional Description:

Create a standard semaphore. The *MaxUnits* parameter allows the semaphore to be tailored to specific uses. For example, a *MaxUnits* value of one indicates that the semaphore is to be used as a *mutex*. The underlying OS object used to implement this semaphore may be different than if *MaxUnits* is greater than one (thus indicating that the semaphore will be used as a general purpose semaphore.) The ACPICA Subsystem creates semaphores of both the mutex and general-purpose variety.

9.4.6 AcpiOsDeleteSemaphore

Delete a semaphore.

ACPI_STATUS
AcpiOsDeleteSemaphore (
ACPI_SEMAPHORE Handle)

PARAMETERS

Handle A handle to a semaphore object that was returned by a previous call to *AcpiOsCreateSemaphore*.

RETURN VALUE

Status Exception code that indicates success or reason for failure.

EXCEPTIONS

AE_OK The semaphore was successfully deleted.

AE_BAD_PARAMETER The *Handle* is invalid.

Functional Description:

Delete a semaphore.

9.4.7 AcpiOsWaitSemaphore

Wait for units from a semaphore.

ACPI_STATUS
AcpiOsWaitSemaphore (
ACPI_SEMAPHORE Handle,
UINT32 Units,
UINT16 Timeout)

**PARAMETERS**

Handle	A handle to a semaphore object that was returned by a previous call to <i>AcpiOsCreateSemaphore</i> .
Units	The number of units the caller is requesting.
Timeout	How long the caller is willing to wait for the requested units. The timeout is specified in milliseconds. A value of 0xFFFF (-1) indicates that the calling thread is willing to wait forever.

RETURN VALUE

Status	Exception code that indicates success or reason for failure.
--------	--

EXCEPTIONS

AE_OK	The requested units were successfully received.
AE_BAD_PARAMETER	The <i>Handle</i> is invalid.
AE_TIME	The units could not be acquired within the specified time limit.

Functional Description:

Wait for the specified number of units from a semaphore.

Implementation notes:

1. The implementation of this interface must support timeout values of zero. This is frequently used to determine if a call to the interface with an actual timeout value would block. In this case, *AcpiOsWaitSemaphore* must return either an **E_OK** if the units were obtained immediately, or an **AE_TIME** to indicate that the requested units are not available. Single threaded OSL implementations should always return **AE_OK** for this interface.
2. The implementation must also support arbitrary timed waits in order for ASL functions such as *Wait ()* to work properly.

9.4.8 AcpiOsSignalSemaphore

Send units to a semaphore.

ACPI_STATUS

AcpiOsSignalSemaphore (
ACPI_SEMAPHORE **Handle,**
UINT32 **Units)**

PARAMETERS

Handle	A handle to a semaphore object that was returned by a previous call to <i>AcpiOsCreateSemaphore</i> .
--------	---



Units The number of units to send to the semaphore.

RETURN VALUE

Status Exception code that indicates success or reason for failure.

EXCEPTIONS

AE_OK The semaphore was successfully signaled.

AE_BAD_PARAMETER The *Handle* is invalid.

AE_LIMIT The semaphore has already been signaled MaxUnits times. No more units can be accepted.

Functional Description:

Send the requested number of units to a semaphore. Single threaded OSL implementations should always return **AE_OK** for this interface.

9.4.9 AcpiOsCreateLock

Create a spin lock.

ACPI_STATUS

AcpiOsCreateLock (
ACPI_SPINLOCK ***OutHandle**)

PARAMETERS

OutHandle A pointer to a location where a handle to the lock is to be returned.

RETURN VALUE

Status Exception code that indicates success or reason for failure.

EXCEPTIONS

AE_OK The semaphore was successfully created.

AE_BAD_PARAMETER The *OutHandle* pointer is NULL.

AE_NO_MEMORY Insufficient memory to create the semaphore.

Functional Description:

Create a spin lock. Spin locks are used in the ACPICA subsystem only when there is requirement for mutual exclusion on data structures that are accessed by both interrupt handlers and normal code.



9.4.10 AcpiOsDeleteLock

Delete a spin lock.

```
void
AcpiOsDeleteLock (
    ACPI_HANDLE          Handle)
```

PARAMETERS

Handle	A handle to a lock object that was returned by a previous call to <i>AcpiOsCreateLock</i> .
--------	---

RETURN VALUE

None	Exception code that indicates success or reason for failure.
------	--

EXCEPTIONS

AE_OK	The Lock was successfully deleted.
AE_BAD_PARAMETER	The <i>Handle</i> is invalid.

Functional Description:

Delete a spin lock.

9.4.11 AcpiOsAcquireLock

Acquire a spin lock.

```
ACPI_CPU_FLAGS
AcpiOsAcquireLock (
    ACPI_SPINLOCK        Handle)
```

PARAMETERS

Handle	A handle to a lock object that was returned by a previous call to <i>AcpiOsCreateLock</i> .
--------	---

RETURN VALUE

Flags	Platform-dependent CPU flags. To be used when the lock is released.
-------	---

Functional Description:

Wait for and acquire a spin lock. May be called from interrupt handlers, GPE handlers, and Fixed event handlers. Single threaded OSL implementations should always return **AE_OK** for this interface.



9.4.12 AcpiOsReleaseLock

Release a spin lock.

```

void
AcpiOsReleaseLock (
    ACPI_SPINLOCK          Handle,
    ACPI_CPU_FLAGS        Flags)

```

PARAMETERS

Handle	A handle to a lock object that was returned by a previous call to <i>AcpiOsCreateLock</i> .
Flags	CPU flags that were returned from <i>AcpiOsAcquireLock</i>

RETURN VALUE

None	Exception code that indicates success or reason for failure.
------	--

Functional Description:

Release a previously acquired spin lock. Single threaded OSL implementations should always return **AE_OK** for this interface.

9.5 Interrupt Handling

Interrupt handler installation and removal.

9.5.1 AcpiOsInstallInterruptHandler

Install a handler for a hardware interrupt level.

```

ACPI_STATUS
AcpiOsInstallInterruptHandler (
    UINT32          InterruptLevel,
    ACPI_OSD_HANDLER Handler,
    void           *Context)

```

PARAMETERS

InterruptLevel	Interrupt level that the handler will service.
Handler	Address of the handler.
Context	A context value that is passed to the handler when the interrupt is dispatched.

**RETURN VALUE**

Status	Exception code that indicates success or reason for failure.
--------	--

EXCEPTIONS

AE_OK	The handler was successfully installed.
AE_BAD_PARAMETER	At least one of the following is true: The <i>InterruptNumber</i> is invalid. The <i>Handler</i> pointer is NULL.
AE_ALREADY_EXISTS	A handler for this interrupt level is already installed.

Functional Description:

This function installs an interrupt handler for a hardware interrupt level. The ACPI driver must install an interrupt handler to service the SCI (System Control Interrupt) which it owns. The interrupt level for the SCI interrupt is obtained from the ACPI tables.

9.5.1.1 Interface to OS-independent Interrupt Handlers

Definition of the interface for OS-independent interrupt handlers.

```
typedef
UINT32 (*ACPI_OSD_HANDLER) (
    void *Context)
```

PARAMETERS

Context	The Context value that was passed as a parameter to the <i>AcpiOsInstallInterruptHandler</i> function.
---------	--

RETURN VALUE

HandlerActionTaken	The handler should return one of the following manifest constants:
--------------------	--

ACPI_INTERRUPT_HANDLED

ACPI_INTERRUPT_NOT_HANDLED

Functional Description:

The OS-independent interrupt handler must be called from an OSL interrupt handler “wrapper” that exists within the OS Services Layer. It is the responsibility of the OS Services Layer to manage the installed interrupt handler(s), and dispatch interrupts to the handler(s) appropriately.



9.5.2 AcpiOsRemoveInterruptHandler

Remove an interrupt handler.

ACPI_STATUS

AcpiOsRemoveInterruptHandler (

UINT32

ACPI_OSD_HANDLER

**InterruptNumber,
Handler)**

PARAMETERS

InterruptNumber	Interrupt number that the handler is currently servicing.
Handler	Address of the handler that was previously installed.

RETURN VALUE

Status	Exception code that indicates success or reason for failure.
--------	--

EXCEPTIONS

AE_OK	The handler was successfully removed.
AE_BAD_PARAMETER	At least one of the following is true: The <i>InterruptNumber</i> is invalid. The <i>Handler</i> pointer is NULL. The <i>Handler</i> address is not the same as the one that is installed.
AE_NOT_EXIST	There is no handler installed for this interrupt level.

Functional Description:

Remove a previously installed hardware interrupt handler.

9.6 Memory Access and Memory Mapped I/O

These interfaces allow the OS Services Layer to implement memory access in any manner that is acceptable to the host OS. The actual hardware I/O instructions may execute within the OS Services Layer itself, or these calls may be translated into additional OS calls — such as calls to a Hardware Abstraction Component. Up to 64-bit transfers are supported by the read/write memory interfaces.

These interfaces are used by the ACPICA for small amounts of data transfer only, such as memory mapped I/O. For large transfers (such as reading the ACPI tables), the ACPICA code will call *AcpiOsMapMemory* instead.

Supports Operation Region access to the **ACPI_ADR_SPACE_SYSTEM_MEMORY** (SystemMemory) space.



9.6.1 AcpiOsReadMemory

Read a value from a memory location.

ACPI_STATUS
AcpiOsReadMemory (
ACPI_PHYSICAL_ADDRESS Address,
UINT64 *Value,
UINT32 Width)

PARAMETERS

Address	Memory address to be read.
Value	A pointer to a location where the data is to be returned.
Width	The memory width in bits, either 8, 16, 32, or 64.

RETURN VALUE

Status	Exception code that indicates success or reason for failure.
--------	--

Functional Description:

This function is used to read a data from the specified memory location. The data is zero extended to fill the 64-bit return value even if the bit width of the location is less than 64. In other words, a full 64 bits are written to the return *Value* regardless of the number of bits that were read from the memory at *Address*. The caller must ensure that no data will be overwritten by this call.

9.6.2 AcpiOsWriteMemory

Write a value to a memory location.

ACPI_STATUS
AcpiOsWriteMemory (
ACPI_PHYSICAL_ADDRESS Address,
UINT64 Value,
UINT32 Width)

PARAMETERS

Address	Memory address where data is to be written.
Value	Data to be written to the memory location.
Width	The memory width in bits, either 8, 16, 32, or 64.

RETURN VALUE

Status	Exception code that indicates success or reason for failure.
--------	--

**Functional Description:**

This function writes data to the specified memory location. If the bit width of the memory location is less than 64, only the lower significant bits of the *Value* parameter are written.

9.7 Port Input/Output

These interfaces allow the OS Services Layer to implement hardware I/O services in any manner that is acceptable to the host OS. The actual hardware I/O instructions may execute within the OS Services Layer itself, or these calls may be translated into additional OS calls — such as calls to a Hardware Abstraction Component.

Supports Operation Region access to the **ACPI_ADR_SPACE_SYSTEM_IO** (SystemIO) space.

The ACPICA subsystem checks each request against a list of protected I/O ports before calling these interfaces.

9.7.1 AcpiOsReadPort

Read a value from an input port.

ACPI_STATUS**AcpiOsReadPort (**

ACPI_IO_ADDRESS	Address,
UINT32	*Value,
UINT32	Width)

PARAMETERS

Address	Hardware I/O port address to read from.
Value	A pointer to a location where the data is to be returned.
Width	The port width in bits, either 8, 16, or 32.

RETURN VALUE

Status	Exception code that indicates success or reason for failure.
--------	--

Functional Description:

This function reads data from the specified input port. The data is zero extended to fill the 32-bit return value even if the bit width of the port is less than 32.



9.7.2 AcpiOsWritePort

Write a value to an output port.

ACPI_STATUS
AcpiOsWritePort (
 ACPI_IO_ADDRESS **Address,**
 UINT32 **Value,**
 UINT32 **Width)**

PARAMETERS

Address	Hardware I/O port address to read from.
Value	The value to be written.
Width	The port width in bits, either 8, 16, or 32.

RETURN VALUE

Status	Exception code that indicates success or reason for failure.
--------	--

Functional Description:

This function writes data to the specified input port. If the bit width of the port is less than 32, only the lower significant bits of the *Value* parameter are written.

9.8 PCI Configuration Space Access

These interfaces allow the OS Services Layer to implement PCI Configuration Space services in any manner that is acceptable to the host OS. The actual hardware I/O instructions may execute within the OS Services Layer itself, or these calls may be translated into additional OS calls — such as calls to a Hardware Abstraction Component.

Supports Operation Region access to the **ACPI_ADR_SPACE_PCI_CONFIG** (Pci_Config) space.



9.8.1 AcpiOsReadPciConfiguration

Read a value from a PCI configuration register.

ACPI_STATUS
 AcpiOsReadPciConfiguration (
 ACPI_PCI_ID PciId,
 UINT32 Register,
 UINT64 *Value,
 UINT32 Width)

PARAMETERS

PciId	The full PCI configuration space address, consisting of a segment number, bus number, device number, and function number.
Register	The PCI register address to be read from.
Value	A pointer to a location where the data is to be returned.
Width	The register width in bits, either 8, 16, 32, or 64.

RETURN VALUE

Status	Exception code that indicates success or reason for failure.
--------	--

Functional Description:

This function reads data from the specified PCI configuration port. The data is zero extended to fill the 64-bit return value even if the bit width of the location is less than 64.

9.8.2 AcpiOsWritePciConfiguration

Write a value to a PCI configuration register.

ACPI_STATUS
 AcpiOsWritePciConfiguration (
 ACPI_PCI_ID PciId,
 UINT32 Register,
 UINT64 Value,
 UINT32 Width)

PARAMETERS

PciId	The full PCI configuration space address, consisting of a segment number, bus number, device number, and function number.
Register	The PCI register address to be written to.
Value	Data to be written.



9.9.2 AcpiOsVprintf

Formatted stream output.

```
void  
AcpiOsVprintf (  
    const char          *Format,  
    va_list             Args)
```

PARAMETERS

Format	A standard printf format string.
Args	A variable parameter list.

RETURN VALUE

None

Functional Description:

This function provides formatted output to an open stream via the va_list argument format.

9.9.3 AcpiOsRedirectOutput

Redirect the debug output.

```
void  
AcpiOsRedirectOutput (  
    void                *Destination)
```

PARAMETERS

Destination	An open file handle or pointer. Debug output will be redirected to this handle/pointer. The format of this parameter is OS-specific.
-------------	--

RETURN VALUE

None

Functional Description:

This function redirects the output of AcpiOsPrintf and AcpiOsVprintf to the specified destination. Usually used to redirect output to a file.



9.10 System ACPI Table Access

These interfaces are required only by the AcpiDump utility. They must be implemented to interface to each host OS.

9.10.1 AcpiOsGetTableByAddress

Obtain an ACPI table via a physical address
--

ACPI_STATUS

```
AcpiOsGetTableByAddress (
    ACPI_PHYSICAL_ADDRESS Address,
    ACPI_TABLE_HEADER    **OutTable)
```

PARAMETERS

Address	Memory physical address of the requested ACPI table.
OutTable	A pointer to location where the table is to be returned.

RETURN VALUE

Status	Exception code that indicates success or reason for failure.
--------	--

EXCEPTIONS

AE_OK	The table was successfully located and returned.
AE_BAD_PARAMETER	The <i>OutTable</i> pointer is NULL.
AE_NO_ACPI_TABLES	The ACPI tables could not be located.
AE_NO_MEMORY	Insufficient dynamic memory to create a buffer for the ACPI table.
AE_NOT_FOUND	A valid ACPI table was not found at the specified <i>Address</i> .
AE_SUPPORT	This function is not currently supported by the host.

Functional Description:

This function obtains an ACPI table by specifying a physical address. It is most useful for getting a table that is dynamically loaded and is not actually present in the RSDT/XSDT. **NOTE:** It may not be possible to support this function on all hosts.

If the operation fails, an appropriate status will be returned and the contents of *OutTable* is undefined.

AcpiOsGetTableByAddress allocates a buffer for the ACPI table that should be freed by the caller when finished with it.



9.10.2 AcpiOsGetTableByIndex

Obtain an installed ACPI table via an index

```
ACPI_STATUS  
AcpiOsGetTableByIndex (  
    UINT32                TableIndex,  
    ACPI_TABLE_HEADER**  **OutTable,  
    ACPI_PHYSICAL_ADDRESS **OutAddress)
```

PARAMETERS

TableIndex	Index of the requested table. The index does not necessarily correspond to the ordering of the RSDT/XSDT.
OutTable	A pointer to location where the table is to be returned.
OutAddress	A pointer to location where the physical address of the table is returned.

RETURN VALUE

Status	Exception code that indicates success or reason for failure.
--------	--

EXCEPTIONS

AE_OK	The table was successfully located and returned.
AE_BAD_PARAMETER	At least one of the following is true: The <i>OutTable</i> pointer is NULL. The <i>OutAddress</i> pointer is NULL.
AE_LIMIT	The last valid <i>TableIndex</i> value has been reached. There is no table that corresponds to the <i>TableIndex</i> .
AE_NO_ACPI_TABLES	The ACPI tables could not be located.
AE_NO_MEMORY	Insufficient dynamic memory to create a buffer for the ACPI table.
AE_SUPPORT	This function is not currently supported by the host.



Functional Description:

This function obtains an installed ACPI table by specifying a table index value. Valid table index values are 0 through n-1, where n is the number of currently installed ACPI tables. This function is useful for iterating through the entire set of installed ACPI tables. To obtain a specific ACPI table, use *AcpiOsGetTableByName* or *AcpiOsGetTableByAddress*.

If the operation fails, an appropriate status will be returned and the contents of *OutTable* and *OutAddress* are undefined.

AcpiOsGetTableByIndex allocates a buffer for the ACPI table that should be freed by the caller when finished with it.

Example:

```

/* Get and dump all available ACPI tables */

for (i = 0; ; i++)
{
    Status = AcpiOsGetTableByIndex (i, &Table, &Address);
    if (ACPI_FAILURE (Status))
    {
        /* AE_LIMIT means that no more tables are available */

        if (Status == AE_LIMIT)
        {
            return (0);
        }
        else if (i == 0)
        {
            fprintf (stderr, "Could not get ACPI tables, %s\n",
                AcpiFormatException (Status));
            return (-1);
        }
        else
        {
            fprintf (stderr, "Could not get ACPI table at index %u, %s\n",
                i, AcpiFormatException (Status));
            continue;
        }
    }

    if (ApDumpTableBuffer (Table, Address))
    {
        return (-1);
    }
    free (Table);
}

```



9.10.3 AcpiOsGetTableByName

Obtain an installed ACPI table via a specific name

```
ACPI_STATUS  
AcpiOsGetTableByName (  
    char *Signature,  
    UINT32 Instance,  
    ACPI_TABLE_HEADER **OutTable,  
    ACPI_PHYSICAL_ADDRESS **OutAddress)
```

PARAMETERS

Signature	The uppercase ACPI signature for the requested table. This must be a 4-character null-terminated ASCII string.
Instance	Used to obtain tables that are allowed to have multiple instances (SSDT or UEFI). For regular ACPI tables, this parameter is ignored.
OutTable	A pointer to location where the table is to be returned.
OutAddress	A pointer to location where the physical address of the table is returned.

RETURN VALUE

Status	Exception code that indicates success or reason for failure.
--------	--

EXCEPTIONS

AE_OK	The table was successfully located and returned.
AE_BAD_PARAMETER	At least one of the following is true: The <i>OutTable</i> pointer is NULL. The <i>OutAddress</i> pointer is NULL.
AE_LIMIT	The last valid <i>Instance</i> value has been reached. There is no table that corresponds to the <i>Instance</i> .
AE_NO_ACPI_TABLES	The ACPI tables could not be located.
AE_NO_MEMORY	Insufficient dynamic memory to create a buffer for the ACPI table.
AE_NOT_FOUND	An ACPI table with <i>Signature</i> was not found.
AE_SUPPORT	This function is not currently supported by the host.



Functional Description:

This function obtains an installed ACPI table by specifying a table signature. Tables that can have multiple instances (such as SSDT or UEFI) are also supported via the *Instance* parameter. Valid instance values are 0 through n-1, where n is the number of currently installed SSDTs.

If the operation fails, an appropriate status will be returned and the contents of *OutTable* and *OutAddress* are undefined.

The *OutAddress* parameter will be set to zero if the physical address is not available.

AcpiOsGetTableByName allocates a buffer for the ACPI table that should be freed by the caller when finished with it.

9.11 Miscellaneous

9.11.1 AcpiOsGetTimer

Get current value of the system timer

UINT64
AcpiOsGetTimer (
 void)

PARAMETERS

None.

RETURN VALUE

TimerValue	The current value of the system timer in 100-nanosecond units.
------------	--

Functional Description:

This function returns the current value of a fine-granularity 64-bit system timer. This interface is used to implement the Timer ASL/AML function.



9.11.3 AcpiOsGetLine

Get a input line of data.

ACPI_STATUS
AcpiOsGetLine (

char	*Buffer,
UINT32	BufferLength,
UINT32	*BytesRead)

PARAMETERS

Buffer	Where to return the input line.
BufferLength	Length of the Buffer (max data to return)
*BytesRead	Where the actual byte count is returned.

RETURN VALUE

Status	Exception code that indicates success or reason for failure.
--------	--

EXCEPTIONS

AE_OK	The line was successfully obtained.
AE_BUFFER_OVERFLOW	The line was too large for the input buffer.

Functional Description:

Get one line of input from the debugger command line. The purpose of this function is to support the ACPI Debugger, and it is therefore optional depending on whether ACPI debugger support is desired.



10 ACPICA Deployment Guide

10.1 Using the ACPICA Subsystem Interfaces

10.1.1 Initialization Sequence

In order to allow the most flexibility for the host operating system, there is no single interface that initializes the entire ACPICA subsystem. Instead, the subsystem is initialized in stages, at the times that are appropriate for the host OS. The following example shows the sequence of initialization calls that must be made; it is up to the host interface (OS Services Layer) to make these calls when they are appropriate.

1. Initialize all ACPI Code:

```
Status = AcpiInitializeSubsystem ();
```

2. Load the ACPI tables from the firmware and build the internal namespace:

```
Status = AcpiLoadTables ();
```

3. Complete initialization and put the system into ACPI mode:

```
Status = AcpiEnableSubsystem ();
```

10.1.2 ACPICA Initialization Examples

10.1.2.1 Full ACPICA Initialization

```
ACPI_STATUS
InitializeFullAcpi (void)
{
    ACPI_STATUS          Status;

    /* Initialize the ACPICA subsystem */

    Status = AcpiInitializeSubsystem ();
    if (ACPI_FAILURE (Status))
    {
        return (Status);
    }

    /* Initialize the ACPICA Table Manager and get all ACPI tables */

    Status = AcpiInitializeTables (NULL, 16, FALSE);
    if (ACPI_FAILURE (Status))
    {
        return (Status);
    }
}
```



```

/* Create the ACPI namespace from ACPI tables */

Status = AcpiLoadTables ();
if (ACPI_FAILURE (Status))
{
    return (Status);
}

/* Note: Local handlers should be installed here */

/* Initialize the ACPI hardware */

Status = AcpiEnableSubsystem (ACPI_FULL_INITIALIZATION);
if (ACPI_FAILURE (Status))
{
    return (Status);
}

/* Complete the ACPI namespace object initialization */

Status = AcpiInitializeObjects (ACPI_FULL_INITIALIZATION);
if (ACPI_FAILURE (Status))
{
    return (Status);
}

return (AE_OK);
}

```

10.1.2.2 ACPICA Initialization With Early ACPI Table Access

```

#define ACPI_MAX_INIT_TABLES    16
static ACPI_TABLE_DESC        TableArray[ACPI_MAX_INIT_TABLES];

ACPI_STATUS
InitializeAcpiTables (void)
{
    ACPI_STATUS                Status;

    /* Initialize the ACPICA Table Manager and get all ACPI tables */

    Status = AcpiInitializeTables (TableArray, ACPI_MAX_INIT_TABLES, TRUE);
    return (Status);
}

ACPI_STATUS
InitializeAcpi (void)
{
    ACPI_STATUS                Status;

```




```
/* Initialize the ACPICA subsystem */

Status = AcpiInitializeSubsystem ();
if (ACPI_FAILURE (Status))
{
    return (Status);
}

/* Copy the root table list to dynamic memory */

Status = AcpiReallocateRootTable ();
if (ACPI_FAILURE (Status))
{
    return (Status);
}

/* Create the ACPI namespace from ACPI tables */

Status = AcpiLoadTables ();
if (ACPI_FAILURE (Status))
{
    return (Status);
}

/* Note: Local handlers should be installed here */

/* Initialize the ACPI hardware */

Status = AcpiEnableSubsystem (ACPI_FULL_INITIALIZATION);
if (ACPI_FAILURE (Status))
{
    return (Status);
}

/* Complete the ACPI namespace object initialization */

Status = AcpiInitializeObjects (ACPI_FULL_INITIALIZATION);
if (ACPI_FAILURE (Status))
{
    return (Status);
}

return (AE_OK);
}
```

10.1.3 Shutdown Sequence

The ACPICA Subsystem does not absolutely require a shutdown before the system terminates. It does not hold any cached data that must be flushed before shutdown. However, if the ACPICA subsystem is to be unloaded at any time during system operation, the subsystem should be shutdown so that resources that are held internally can be released back to the host OS. These resources include memory segments, an interrupt handler, and the ACPI hardware itself. To shutdown the ACPICA Subsystem, the following calls should be made:



1. Unload the namespace and free all resources:

```
Status = AcpiTerminate ();
```

10.1.4 Traversing the ACPI Namespace (Low Level)

This example demonstrates traversal of the ACPI namespace using the low-level *Acpi** primitives. The code is in fact the implementation of the higher-level *AcpiWalkNamespace* interface, and therefore this example has two purposes:

1. Demonstrate how the low-level namespace interfaces are used.
2. Provide an understanding of how the namespace walk interface works.

```
ACPI_STATUS
AcpiWalkNamespace (
    ACPI_OBJECT_TYPE      Type,
    ACPI_HANDLE           StartHandle,
    UINT32                MaxDepth,
    WALK_CALLBACK         UserFunction,
    void                  *Context,
    void                  **ReturnValue)
{
    ACPI_HANDLE           ObjHandle = 0;
    ACPI_HANDLE           Scope;
    ACPI_HANDLE           NewScope;
    void                  *UserReturnVal;
    UINT32               Level = 1;

    /* Parameter validation */

    if ((Type > ACPI_TYPE_MAX) ||
        (!MaxDepth) ||
        (!UserFunction))
    {
        return ACPI_STATUS (AE_BAD_PARAMETER);
    }

    /* Special case for the namespace root object */

    if (StartObject == ACPI_ROOT_OBJECT)
    {
        StartObject = Gbl_RootObject;
    }

    /* Null child means "get first object" */

    ParentHandle   = StartObject;
    ChildHandle    = 0;
    ChildType      = ACPI_TYPE_ANY;
    Level         = 1;

    /*
     * Traverse the tree of objects until we bubble back up to where we
     * started. When Level is zero, the loop is done because we have
     * bubbled up to (and passed) the original parent handle (StartHandle)
     */

    while (Level > 0)
    {
        /* Get the next typed object in this scope. Null returned if not found */

        Status = AE_OK;
```



ACPI Component Architecture User Guide and Programmer Reference

```
if (ACPI_SUCCESS (AcpiGetObject (ACPI_TYPE_ANY, ParentHandle, ChildHandle,
                                &ChildHandle)))
{
    /* Found an object, Get the type if we are not searching for ANY */

    if (Type != ACPI_TYPE_ANY)
    {
        AcpiGetType (ChildHandle, &ChildType);
    }

    if (ChildType == Type)
    {
        /* Found a matching object, invoke the user callback function */

        Status = UserFunction (ChildHandle, Level, Context, ReturnValue);
        switch (Status)
        {
            case AE_OK:
            case AE_DEPTH:
                break; /* Just keep going */

            case AE_TERMINATE:
                return ACPI_STATUS (AE_OK); /* Exit now, with OK status */
                break;

            default:
                return ACPI_STATUS (Status); /* All others are valid exceptions */
                break;
        }
    }

    /*
     * Depth first search: Attempt to go down another
     * level in the namespace if we are allowed to. Don't go any further if we
     * have reached the caller specified maximum depth or if the user function
     * has specified that the maximum depth has been reached.
     */

    if ((Level < MaxDepth) && (Status != AE_DEPTH))
    {
        if (ACPI_SUCCESS (AcpiGetObject (ACPI_TYPE_ANY, ChildHandle,
                                        0, NULL)))
        {
            /* There is at least one child of this object, visit the object */

            Level++;
            ParentHandle = ChildHandle;
            ChildHandle = 0;
        }
    }
}

else
{
    /*
     * No more children in this object (AcpiGetObject failed),
     * go back upwards in the namespace tree to the object's parent.
     */
    Level--;
    ChildHandle = ParentHandle;
    AcpiGetParent (ParentHandle, &ParentHandle);
}

return ACPI_STATUS (AE_OK); /* Complete walk, not terminated by user function */
}
```



10.1.5 Traversing the ACPI Namespace (High Level)

This example demonstrates the use of the *AcpiWalkNamespace* interface and other **Acpi*** interfaces. It shows how to properly invoke *AcpiWalkNamespace* and write a callback routine.

This code searches for all device objects in the namespace under the system bus (where most, if not all devices usually reside.) The callback function always returns NULL, meaning that the walk is not terminated until the entire namespace under the system bus has been traversed.

Part 1: This is the top-level procedure that invokes *AcpiWalkNamespace*.

```
DisplaySystemDevices (void)
{
    ACPI_HANDLE          SysBusHandle;

    AcpiNameToHandle (0, NS_SYSTEM_BUS, &SysBusHandle);

    printf ("Display of all devices in the namespace:\n");

    AcpiWalkNamespace (ACPI_TYPE_DEVICE, SysBusHandle, INT_MAX,
        DisplayOneDevice, NULL, NULL);
}
```

Part 2: This is the callback routine that is repeatedly invoked from *AcpiWalkNamespace*.

```
void *
DisplayOneDevice (
    ACPI_HANDLE          ObjHandle,
    UINT32               Level,
    void                 *Context)
{
    ACPI_STATUS          Status;
    ACPI_DEVICE_INFO     Info;
    ACPI_BUFFER           Path;
    char                 Buffer[256];

    Path.Length = sizeof (Buffer);
    Path.Pointer = Buffer;

    /* Get the full path of this device and print it */

    Status = AcpiHandleToPathname (ObjHandle, &Path);
    if (ACPI_SUCCESS (Status))
    {
        printf ("%s\n", Path.Pointer);
    }

    /* Get the device info for this device and print it */

    Status = AcpiGetDeviceInfo (ObjHandle, &Info);
    if (ACPI_SUCCESS (Status))
    {
        printf ("    HID: %.8X, ADR: %.8X, Status: %x\n",
            Info.HardwareId, Info.Address, Info.CurrentStatus);
    }

    return NULL;
}
```



10.2 Implementing the OS Services Layer

10.2.1 Parameter Validation

In all implementations of the OS Services Layer, the interfaces should adhere to the descriptions in the document as far as the actual interface parameters as well as the returned exception codes. This means that the parameter validation is not optional and that the ACPICA Subsystem layer depends on correct exception codes returned from the OSL.

10.2.2 Memory Management

Implementation of the memory allocation functions should be straightforward. If the host operating system has several kernel-level memory pools that can be used for allocation, it may be useful to know some of the dynamic memory requirements of the ACPICA Subsystem.

During initialization, the ACPI tables are either mapped from BIOS memory or copied into local memory segments. Some of these tables (especially the DSDT) can be fairly large, up to about 64K. The namespace is built from multiple small memory segments, each of a fixed (but configurable) length. The default namespace table length is 16 entries times about 32 bytes each for a total of 512 bytes per table and per allocation.

During operation, many internal objects are created and deleted while servicing requests. The size of an internal object is about 32 bytes, and this is the primary run-time memory request size.

Several internal caches are used within the Subsystem to minimize the number of requests to the memory manager.

10.2.3 Scheduling Services

The intent of the *AcpiOsQueueForExecution* interface is to schedule another thread. It makes no difference whether this is a new thread created at the time this call is made, or simply a thread that is allocated out of a pool of system threads. Only the ACPICA Debugger creates a permanent thread.

10.2.4 Mutual Exclusion and Synchronization

In a single thread environment, the spinlock, mutex, and semaphore interfaces can simply return AE_OK. In a multiple thread environment, these interfaces must be implemented with real blocking spinlocks, mutexes, and semaphores since the mutual exclusion support in the Subsystem relies *completely* upon the proper implementation of this mechanism and these interfaces.

10.2.5 Interrupt Handling

In order to support the OS-independent interrupt handler that is implemented within the ACPICA Subsystem, the OSL must provide a local interrupt handler whose interface conforms to the requirements of the host operating system. This local interrupt handler is a wrapper for the OS-independent handler; it is the actual handler that is installed for the given interrupt level. The task of this wrapper is to handle incoming interrupts and dispatch them to the OS-independent handler via the OS-independent handler interface. When the handler returns, the wrapper performs any necessary cleanup and exits the interrupt.



10.2.6 Stream I/O

The *AcpiOsPrintf* and *AcpiOsVprintf* functions can usually be implemented using a kernel-level debug print facility. Kernel printf functions usually output data to a serial port or some other special debug facility. If there is more than one type of debug print routine, use one that can be called from within an interrupt handler so that Fixed Events and General-Purpose events can be traced.

10.2.7 Hardware Abstraction (I/O, Memory, PCI Configuration)

The intent of the hardware I/O interfaces is to allow these calls to be translated into calls or macros provided by the host OS for this purpose. However, if the host does not provide a hardware abstraction service, these functions can be implemented simply and directly via I/O machine instructions.



11 User-Mode Tools and Utilities

11.1 Generating the ACPICA Tools/Utilities from Source

There are two major methods provided to generate the ACPICA tools and utilities from source code:

- 1) Makefiles are provided to generate in a unix-like environment. They can be modified to conform to other environments as needed. The tools may be generated in either 32-bit or 64-bit mode.
- 2) Project files are provided to generate with the 32-bit Microsoft Visual Studio 2008.

11.1.1 Generic Unix Makefiles

The generic makefiles build all of the utilities (including iASL) by default using the gcc compiler. For iASL, current versions of Flex/Bison (or Lex/Yacc) are required. See the iASL User Guide for additional iASL generation information.

The make build can be invoked from within the ACPICA source tree in one of two ways. There exists a top-level makefile within the **acpica** directory, and a similar makefile under the **acpica/generate/unix** directory.

Examples:

```
cd acpica
make clean
make

cd acpica/generate/unix
make clean
make
```

Individual tools can be generated by specifying the tool name on the make command line:

Examples:

```
make acpiexec
make acpidump
make acpixtract
make iasl
make acpihelp
make acpisrc
make acpibin
make acpinames
```

The following command line options are supported:

OPT_CFLAGS – Additional flags (etc.) to be passed to the compiler can be added.

NOOPT – Set to TRUE in order to disable compiler optimizations and the **_FORTIFY_SOURCE** gcc option. Some older versions of gcc (such as 4.4 or earlier) may have problems compiling with optimizations enabled, and this flag is provided to workaround the problem.

Examples:



```
make OPT_CFLAGS=-Os
make NOOPT=TRUE
```

11.1.2 Visual Studio Project Files

The master Visual Studio 2008 solution file is located at:

```
acpica/generate/msvc9/AcpiComponents.sln
```

After loading this solution file, all of the ACPICA tools can be generated for Windows. The project files assume the standard ACPICA source tree.

See the Visual Studio readme file for additional instructions, located at:

```
acpica/generate/msvc9/readme.txt
```

Note: generation of the iASL compiler requires Flex and Bison for Windows. See the iASL User Guid for more information, as well as the readme file located at:

```
acpica/source/compiler/readme.txt
```

11.1.2.1 Visual Studio 2008 Installation Notes

The ACPICA source code is written in ANSI C for maximum portability, and is generated with all C language extensions disabled.

There are a couple of header files in Visual Studio 2008 that unfortunately contain non-ANSI “/” style comments. These will be flagged as warnings during every compile because the language extensions are disabled. The offending header files must be modified in order to eliminate these warnings.

The VC include files are under one of these directories:

```
\Program Files\Microsoft Visual Studio 9.0\VC\include
\Program Files (x86)\Microsoft Visual Studio 9.0\VC\include
```

To eliminate the warnings, the following files must must be modified:

```
sal.h
stdlib.h
```

For each file, add this statement to the start of the file:

```
#pragma warning( disable : 4001 ) /* no warning about “/” comments” */
```

And add this statement to the end of the file:

```
#pragma warning( default : 4001)
```

For stdlib.h, you may also need to disable warning 4001 again before this line, near line 774:

```
#pragma warning (disable:6540)
```

Note: you may have to change the permissions on these files in order to write to them.



11.1.2.2 Flex/Bison for Windows Installation Notes

In order to generate the iASL compiler, the Windows versions of the GNU Flex/Bison tools must be installed, and they must be installed in a directory that contains no embedded spaces in the pathname. This means that they cannot be installed in the default path which contains the “C:\Program Files” directory. This is a bug in Bison. The default Windows project file for iASL assumes that these tools are installed at this location:

C:\GnuWin32

Once the tools are installed, ensure that this path is added to the default system \$PATH environment variable:

C:\GnuWin32\bin

Go to: ControlPanel/System/AdvancedSystemSettings/EnvironmentVariables

Important: Now Windows must be rebooted to make the system aware of the updated \$PATH.



11.2 iASL Compiler

The iASL compiler is a fully-featured translator for the ACPI Source Language (ASL). As part of the Intel ACPI Component Architecture, the Intel ASL compiler implements translation for the ACPI Source Language (ASL) to the ACPI Machine Language (AML).

iASL also includes the ACPICA disassembler, and will disassemble any ACPI table, including both tables that contain AML (DSDT, SSDT, OEMx) and tables that contain data only (all other ACPI tables such as FADT, MADT, ECDT, etc.)

The compiler is fully documented in the *iASL Compiler User Reference*.

```
Intel ACPI Component Architecture
ASL Optimizing Compiler version 20141107-32 [Nov 7 2014]
Copyright (c) 2000 - 2013 Intel Corporation
```

Supports ACPI Specification Revision 5.0A

Usage: iasl [Options] [Files]

Options:

General:

```
-@ <file>          Specify command file
-I <dir>           Specify additional include directory
-T <sig>|ALL|*     Create table template file for ACPI <Sig>
-p <prefix>       Specify path/filename prefix for all output files
-v                Display compiler version
-vo              Enable optimization comments
-vs              Disable signon
```

Help:

```
-h                This message
-hc              Display operators allowed in constant expressions
-hf              Display help for output filename generation
-hr              Display ACPI reserved method names
-ht              Display currently supported ACPI table names
```

Preprocessor:

```
-D <symbol>       Define symbol for preprocessor use
-li              Create preprocessed output file (*.i)
-P              Preprocess only, create preprocessor output file (*.i)
-Pn             Disable preprocessor
```

Errors, Warnings, and Remarks:

```
-va              Disable all errors/warnings/remarks
-ve              Report only errors (ignore warnings and remarks)
-vi              Less verbose errors and warnings for use with IDEs
-vr              Disable remarks
-vw <messageid> Disable specific warning or remark
-w1 -w2 -w3     Set warning reporting level
-we              Report warnings as errors
```

AML Code Generation (*.aml):

```
-oa              Disable all optimizations (compatibility mode)
-of              Disable constant folding
-oi              Disable integer optimization to Zero/One/Ones
```



ACPI Component Architecture User Guide and Programmer Reference

-on Disable named reference string optimization
-cr Disable Resource Descriptor error checking
-in Ignore NoOp operators
-r <revision> Override table header Revision (1-255)

Optional Source Code Output Files:

-sc -sa Create source file in C or assembler (*.c or *.asm)
-ic -ia Create include file in C or assembler (*.h or *.inc)
-tc -ta -ts Create hex AML table in C, assembler, or ASL (*.hex)
-so Create offset table in C (*.offset.h)

Optional Listing Files:

-l Create mixed listing file (ASL source and AML) (*.lst)
-lm Create hardware summary map file (*.map)
-ln Create namespace file (*.nsp)
-ls Create combined source file (*.src)

Data Table Compiler:

-G Compile custom table that contains generic operators
-vt Create verbose template files (full disassembly)

AML Disassembler:

-d <f1 f2 ...> Disassemble/decode binary ACPI tables to file (*.dsl)
(Optional, file type is automatically detected)
-da <f1 f2 ...> Disassemble multiple tables from single namespace
-db Do not translate Buffers to Resource Templates
-dc <f1 f2 ...> Disassemble AML and immediately compile it
(Obtain DSDT from current system if no input file)
-dl Emit legacy ASL code only (no symbolic operators)
-e <f1 f2 ...> Include ACPI table(s) for external symbol resolution
-fe <file> Specify external symbol declaration file
-g Get ACPI tables and write to files (*.dat)
-in Ignore NoOp opcodes
-vt Dump binary table data in hex format within output
file

Debug Options:

-bf Create debug file (full output) (*.txt)
-bs Create debug file (parse tree only) (*.txt)
-bp <depth> Prune ASL parse tree
-bt <type> Object type to be pruned from the parse tree
-f Ignore errors, force creation of AML output file(s)
-m <size> Set internal line buffer size (in Kbytes)
-n Parse only, no output generation
-ot Display compile times and statistics
-x <level> Set debug level for trace output
-z Do not insert new compiler ID for DataTables



11.3 AcpiExec – User Mode ACPI Execution/Simulation

This utility can be used to load any ACPI tables from file(s), execute control methods, single step control methods, inspect the ACPI namespace, etc. When generated from source, it contains the entire ACPICA Subsystem including the ACPICA Debugger. All hardware access via the AML is simulated. All ACPICA debugger commands are available (See the ACPICA Debugger Reference later in this document.)

```
Intel ACPI Component Architecture
AML Execution/Debug Utility version 20141107-32 [Nov 7 2014]
Copyright (c) 2000 - 2014 Intel Corporation
```

```
Usage: acpiexec [options] AMLfile1 AMLfile2 ...
```

```
Options:
```

```
-b "CommandLine"  Batch mode command line execution (cmd1;cmd2;...)
-h -?            Display this help message
-m [Method]      Batch mode method execution. Default=MAIN

-da             Disable method abort on error
-di            Disable execution of STA/INI methods during init
-do            Disable Operation Region address simulation
-dr            Disable repair of method return values
-ds            Disable method auto-serialization
-dt            Disable allocation tracking (performance)

-ef            Enable display of final memory statistics
-ei            Enable additional tests for ACPICA interfaces
-el            Enable loading of additional test tables
-es            Enable Interpreter Slack Mode
-et            Enable debug semaphore timeout

-fv <Value>     Operation Region initialization fill value
-fi <file>      Specify namespace initialization file
-r             Use hardware-reduced FADT V5
-v            Display version information
-vi           Verbose initialization output
-vr           Verbose region handler output
-x <DebugLevel> Debug output level
```

11.3.1 Options

-fi Specify a file containing initialization values for objects within the ACPI namespace. The initialization takes place as the namespace is constructed from the input ACPI table. The file is a simple text file, each line performs an initialization (currently only integer initialization is supported) and is of the form:

```
<Acpi-Namepath> <Value>
```

Example:

```
SPTH 1
PCHS 1
SPTL 0x12345678
\A____.B____.ABCD 0xFEDCBA9876543210
```



11.4 AcpiHelp – Display ACPI Help Information

This utility displays information about all known ASL operators and keywords, AML opcodes, and ASL/AML predefined names.

```
Intel ACPI Component Architecture
ACPI Help Utility version 20150515-32
Copyright (c) 2000 - 2015 Intel Corporation

Usage: acpihelp <options> [Name/Prefix | HexValue]
Options:
  -h                Display help
  -v                Display version information

AML (ACPI Machine Language) Names and Encodings:
  -a [Name/Prefix] Find/Display both ASL operator and AML opcode name(s)
  -m [Name/Prefix] Find/Display AML opcode name(s)

ACPI Values:
  -e [HexValue]    Decode ACPICA exception code
  -o [HexValue]    Decode hex AML opcode

ASL (ACPI Source Language) Names and Symbols:
  -k [Name/Prefix] Find/Display ASL non-operator keyword(s)
  -p [Name/Prefix] Find/Display ASL predefined method name(s)
  -s [Name/Prefix] Find/Display ASL operator name(s)

Other ACPI Names:
  -i [Name/Prefix] Find/Display ACPI/PNP Hardware ID(s)
  -d                Display iASL Preprocessor directives
  -t                Display supported ACPI tables
  -u                Display ACPI-related UUIDs

Name/Prefix or HexValue not specified means "Display All"

Default search with valid Name/Prefix and no options:
  Find ASL/AML operator names - if NamePrefix does not start with
  underscore
  Find ASL predefined method names - if NamePrefix starts with
  underscore
```



11.5 AcpiDump – Dump System ACPI Tables

This portable utility obtains the binary system ACPI tables and dumps them to an ASCII text file suitable for input to the AcpiXtract utility.

The actual attraction of tables from the system is dependent on the host OS. To port to a new OS, a single module must be written to implement the interfaces that get ACPI tables.

```
Intel ACPI Component Architecture
ACPI Binary Table Dump Utility version 20130823-32 [Aug 23 2013]
Copyright (c) 2000 - 2013 Intel Corporation
```

```
Usage: acpidump [options]
```

```
Options:
```

```
-b          Dump tables to binary files
-c          Dump customized tables
-h -?      This help message
-o <File>  Redirect output to file
-r <Address> Dump tables from specified RSDP
-s          Print table summaries only
-v          Display version information
-z          Verbose mode
```

```
Table Options:
```

```
-a <Address>  Get table via a physical address
-f <BinaryFile> Get table via a binary file
-n <Signature> Get table via a name/signature
```

11.6 AcpiXtract – Extract ACPI Tables

This utility is used to extract binary ACPI tables from the ASCII output of the AcpiDump utility.

```
Intel ACPI Component Architecture
ACPI Binary Table Extraction Utility version 20131115-32 [Nov 15 2013]
Copyright (c) 2000 - 2013 Intel Corporation
```

```
Usage: acpixtract [option] <InputFile>
```

```
Options:
```

```
-a          Extract all tables, not just DSDT/SSDT
-l          List table summaries, do not extract
-s <signature> Extract all tables with <signature>
-v          Display version information
```

```
Extract binary ACPI tables from text acpidump output
Default invocation extracts the DSDT and all SSDTs
```



11.7 AcpiSrc – Convert ACPICA Source Code

This utility is used to convert the ACPICA into Linux code format. It can also be used to clean the ACPICA code by removing extra trailing blanks, etc., and to generate source code statistics.

```
Intel ACPI Component Architecture
ACPI Source Code Conversion Utility version 20130823-32 [Aug 23 2013]
Copyright (c) 2000 - 2013 Intel Corporation
```

```
Usage: acpisrc [-c|l|u] [-dsvy] <SourceDir> <DestinationDir>
```

```
Options:
```

```
-c          Generate cleaned version of the source
-h          Insert dual-license header into all modules
-l          Generate Linux version of the source
-u          Generate Custom source translation

-d          Leave debug statements in code
-s          Generate source statistics only
-v          Display version information
-vb        Verbose mode
-y          Suppress file overwrite prompts
```

Example output – source code statistics for ACPICA:

```
Intel ACPI Component Architecture
ACPI Source Code Conversion Utility version 20130823-32 [Aug 23 2013]
Copyright (c) 2000 - 2013 Intel Corporation
```

```
Source code statistics only
```

```
AcpiSrc statistics:
```

```
339 Files processed
7670350 Total bytes (22.1K/file)
53 Tabs found
0 Missing if/else braces
27 Non-ANSI comments found
218962 Total Lines
113108 Lines of code
39405 Lines of non-comment whitespace
43889 Lines of comments
4810 Long lines found
2.9 Ratio of code to whitespace
2.6 Ratio of code to comments
51% code, 20% comments, 17% whitespace, 16% headers
```



11.8 AcpiNames – Example Namespace Dump

This utility is provided to give an example of a minimal configuration of ACPICA. It will load a DSDT from a file and simply dump the entire namespace.

The ACPICA components that are used are the Table Manager and Namespace Manager. It does not include the AML interpreter.

Functionality is a subset of the AcpiExec utility, so the purpose of AcpiNames is to show how to configure ACPICA for a subset of the various available managers.

Example:

```
C:\acpinames dsdt.aml

Intel ACPI Component Architecture
ACPI Namespace Dump Utility version 20110413-32 [April 13 2011]
Copyright (c) 2000 - 2011 Intel Corporation

Loading Acpi table from file dsdt.aml
ACPI: RSDP 00424F04 0002C (v02 I_TEST)
ACPI: XSDT 00347150 0002C (v01                00000000      00000000)
ACPI: FACP 00424F28 000F4 (v03                00000000      00000000)
ACPI: DSDT 003470E8 00059 (v02 Intel Template 00000001 INTL 20110413)
ACPI: FACS 00425020 00040

ACPI Namespace:
0  _GPE Scope          00344E88 00
0  _PR_ Scope         00344EA8 00
0  _SB_ Device        00344EC8 00
0  _SI_ Scope         00344EE8 00
0  _TZ_ Device        00344F08 00
0  _REV Integer       00344F28 00 = 0000000000000003
0  _OS_ String        00344F80 00 Len 14 "Microsoft Windows NT"
0  _GL_ Mutex         00344FD8 00 Object 00344FF8
0  _OSI Method        00345030 00 Args 1 Len 0000 Aml 00000000
0  DUMP Method        00347558 01 Args 1 Len 0004 Aml 00347113
0  MAIN Method        00347690 01 Args 7 Len 0023 Aml 0034711E
```




12 ACPICA Debugger Reference

12.1 Overview

The ACPICA AML Debugger is an optional subcomponent of the ACPICA Subsystem. It can be operated standalone or in conjunction with (or as an extension of) a native kernel debugger. The debugger provides the ability to load ACPI tables, dump internal data structures, execute control methods, disassemble control methods, single step control methods, and set breakpoints within control methods.

12.2 Supported Environments

The debugger can be executed in a ring 0 (kernel) or ring 3 (application) environment. The following combinations of debugger and front-end (user-interface) are supported:

- Ring 0 Debugger, Ring 0 Front-End: In this case, the front-end is a host kernel debugger, and the Debugger operates as an extension to the host debugger.
- Ring 0 Debugger, Ring 3 Front-End. In this mode, the front-end is a ring 3 application that obtains the command lines from the user and sends them to the debugger executing in Ring 0. The actual mechanism used for this communication is dependent on the host operating system.
- Ring 3 Debugger, Ring 3 Front-End. In this mode, the entire ACPICA subsystem (including the debugger) resides in a Ring 3 application. A single thread can be used for the user interface, debugger, and AML control method execution. An example of this mode is the AcpiExec utility.

12.2.1 The AcpiExec Utility

An example of the Ring3/Ring3 model of execution is the user mode *AcpiExec* utility. This application includes the entire ACPICA subsystem (including the Debugger) and allows the user to load ACPI tables from files and execute methods contained in the tables.

Of course, hardware and memory access from Ring 3 is very limited. The *AcpiExec* utility simulates hardware access.

12.3 Debugger Architecture

The ACPI debugger consists of the following architectural elements:

- A command line interpreter that receives entire command lines from the host, parses them into commands and parameters, and dispatches the request to the appropriate handler for the command.
- A group of modules that implement the various debugger commands.
- A group of callback routines that are invoked by the interpreter/dispatcher during the execution control methods. These callbacks enable the single stepping of control methods and the display of arguments to each executed control method.



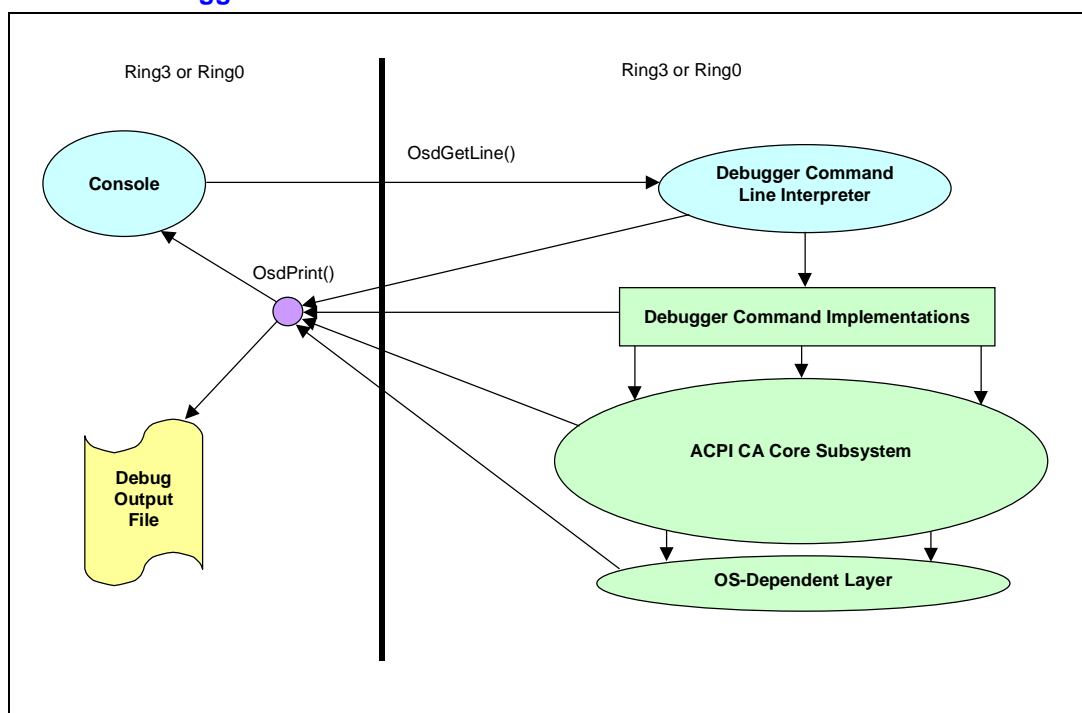
When executing in a Ring 0 environment, the debugger initialization creates a separate thread for the debugger CLI. This threads performs the following tasks until the debugger is shut down:

1. Wait for a command line by calling the *AcpiOsGetLine* interface
2. Execute the command

All output from the debugger is via the *AcpiOsPrint* and *AcpiOsVprintf* interfaces.

The overall architecture of the ACPI Debugger is shown in the diagram below. Note how the Debugger CLI uses the *AcpiOsGetLine* interface to obtain user command lines, and how output from the entire debugger and ACPICA subsystem can be directed to the console, a file, or both via the implementation of the *AcpiOsPrint* interface within the OSL layer. Also note how the debugger and ACPICA subsystem can reside in a different protection ring than the user console support and file I/O support.

Figure 12. ACPICA Debugger Architecture



12.4 Configuration and Installation

The basic idea behind the debugger thread is that it receives a command line from *somewhere* and then asynchronously executes it. The command line can come from a ring 3 application (a debugger front-end), or it can come from the resident kernel debugger (you would install a debugger extension that forwards command lines to the debugger.)

With this in mind, there are several key components of the debugger:

1. **DbInitialize** – Initializes the debugger semaphores and creates the debugger thread, *DbExecuteThread*
2. **DbCommandDispatch** – This is the actual command execution code



3. **DbExecuteThread** – Waits for a command to become available (as indicated by the `MTX_DEBUG_CMD_READY` mutex), executes the command, (via `DbCommandDispatch`), then signals command completion via the `MTX_DEBUG_CMD_COMPLETE` mutex.
4. **DbUserCommands** – An *example* command loop that must execute in its own thread (this is the *caller* thread, not a thread that is part of the debugger). This loop obtains a command line via `AcpiOsGetLine`, puts it into the `LineBuf` buffer, and signals the `DbExecuteThread` that a command line is available. It is not necessary to use this procedure, however, if command lines become available from somewhere besides `AcpiOsGetLine`.
5. **DbSingleStep** – Called from the dispatcher just before an AML opcode is executed. Implements its own command loop that obtains command lines from either the `MTX_DEBUG_CMD_READY` mutex (multi-thread mode), or by calling `AcpiOsGetLine` directly (single thread mode). Drops out of the loop when the control method is aborted or is allowed to continue running (perhaps just to the next opcode...)

This is the basic thread model and handshake with the outside world. To integrate the debugger into a specific environment, it is your responsibility to get command lines to the `DbExecuteThread` via the `LineBuf` and the `MTX_DEBUG_CMD_READY` mutex. Alternatively, you can just call the `DbCommandDispatch` directly if you don't need an asynchronous debugger thread. Additional explanation follows.

The `AcpiExec Ring3` application uses `DbUserCommands` to process command lines (`DbUserCommands` is actually called from `aemain.c`). However, if integrating with a kernel debugger, you will probably want to implement your own mechanism instead of using the `DbUserCommands` loop. I would imagine this would entail the following:

1. Install a small extension to the kernel debugger that receives command lines intended for that extension.
2. Copy the command line to the `LineBuf`.
3. Signal the `DbExecuteThread` that a command is available. (`MTX_DEBUG_CMD_READY`).
4. Wait for the command to complete (`MTX_DEBUG_CMD_COMPLETE`).
5. Return to the kernel debugger.

If you don't need the extra debugger thread, you can simply execute commands in the caller's context:

1. Install a small extension to the kernel debugger that receives command lines intended for that extension.
2. Copy the command line to the `LineBuf`.
3. Call `DbCommandDispatch` to execute the command directly.
4. Return to the kernel debugger.

The behavior of the debugger can be configured as follows (via the `config.h` header):

```
#define DEBUGGER_THREADING          DEBUGGER_SINGLE_THREADED
```

This sets the single thread mode of the debugger.

```
#define DEBUGGER_THREADING          DEBUGGER_MULTI_THREADED
```

This sets the multi-thread mode of the debugger.



Basically, in multithread mode, we just wait for some other thread to fill the LineBuf with a command and signal the semaphore. In single thread mode, we explicitly call AcpiOsGetLine to get a command line.

12.5 Command Overview

There are six classes of commands supported by the debugger:

1. The **General-Purpose** commands are available in all modes of the debugger. These commands provide the basic functionality of loading tables, dumping internal data structures, and starting the execution of control methods.
2. The **Namespace Access** commands are always available. These commands provide information about the currently loaded ACPI namespace.
3. The **Control Method Execution** commands are available only during the single-step execution of control methods. These commands allow the display and modification of method arguments and local variables, control method disassemble, and the setting of method breakpoints
4. The **Hardware-Related** commands are intended to simulate hardware events such as Fixed events, GPEs, and SCIs by invoking the dispatch code for the event. This will in turn invoke any host-installed handlers.
5. The **File I/O** commands are available only if a filesystem is available to the debugger.
6. The **Debug Test** commands provide various namespace tests.

12.6 Command Summary

General-Purpose Commands:

Allocations	Display list of current memory allocations
Dump <Address> <Namepath> [Byte Word Dword Qword]	Display ACPI objects or memory
EnableAcpi	Enable ACPI (hardware) mode
Handlers	Info about global handlers
Help [Command]	This help screen or individual command
History	Display command history buffer
Level <DebugLevel>] [console	Get/Set debug level for file or console
Locks	Current status of internal mutexes
Osi [Install Remove <name>]	Display or modify global _OSI list
Quit or Exit	Exit this command
Stats <SubCommand>	Display namespace and memory statistics
Allocations	Display list of current memory allocations
Memory	Dump internal memory lists
Misc	Namespace search and mutex stats
Objects	Summary of namespace objects
Sizes	Sizes for each of the internal objects
Stack	Display CPU stack usage
Tables	Info about current ACPI table(s)
Tables	Display info about loaded ACPI tables
Unload <Namepath>	Unload an ACPI table via namespace object
! <CommandNumber>	Execute command from history buffer
!!	Execute last command again

Namespace Access Commands:

Businfo	Display system bus info
Disassemble <Method>	Disassemble a control method



Find <AcpiName> (? is wildcard)	Find ACPI name(s) with wildcards
Integrity	Validate namespace integrity
Methods	Display list of loaded control methods
Namespace [Object] [Depth]	Display loaded namespace tree/subtree
Notify <Object> <Value>	Send a notification on Object
Objects <ObjectType>	Display all objects of the given type
Owner <OwnerId> [Depth]	Display loaded namespace by object owner
Paths	Display full pathnames of namespace objects
Predefined	Check all predefined names
Prefix [<NamePath>]	Set or Get current execution prefix
References <Addr>	Find all references to object at addr
Resources [DeviceName]	Display Device resources (no arg = all devices)
Set N <NamedObject> <Value>	Set value for named integer
Template <Object>	Format/dump a Buffer/ResourceTemplate
Terminate	Delete namespace and all internal objects
Type <Object>	Display object type

Control Method Execution Commands:

Arguments (or Args)	Display method arguments
Breakpoint <AmlOffset>	Set an AML execution breakpoint
Call	Run to next control method invocation
Debug <Namepath> [Arguments]	Single Step a control method
Evaluate	Synonym for Execute
Execute <Namepath> [Arguments]	Execute control method
Hex Integer	Integer method argument
"Ascii String"	String method argument
(Hex Byte List)	Buffer method argument
[Package Element List]	Package method argument
Go	Allow method to run to completion
Information	Display info about the current method
Into	Step into (not over) a method call
List [# of Aml Opcodes]	Display method ASL statements
Locals	Display method local variables
Results	Display method result stack
Set <A L> <#> <Value>	Set method data (Arguments/Locals)
Stop	Terminate control method
Thread <Threads><Loops><NamePath>	Spawn threads to execute method(s)
Trace <method name>	Trace method execution
Tree	Display control method calling tree
<Enter>	Single step next AML opcode (over calls)

Hardware Related Commands:

Event <F G> <Value>	Generate AcpiEvent (Fixed/GPE)
Gpe <GpeNum> <GpeBlock>	Simulate a GPE
Gpes	Display info on all GPEs
Sci	Generate an SCI
Sleep [SleepState]	Simulate sleep/wake sequence(s) (0-5)

File I/O Commands:

Close	Close debug output file
Load <Input Filename>	Load ACPI table from a file
Open <Output Filename>	Open a file for debug output

Debug Test Commands:

Test <TestName>	Invoke a debug test
Objects	Read/write/compare all namespace data objects
Predefined	Execute all ACPI predefined names (_STA, etc.)



12.7 General Purpose Commands

12.7.1 Allocations

Memory allocation status

SYNTAX

- allocations

This command dumps the current status of the dynamic memory allocations, as maintained by the ACPICA subsystem debug memory allocation tracking mechanism. Primarily used to detect memory leaks, the mechanism tracks the allocation and freeing of each memory block, and maintains statistics on the amount of memory allocated, the number of allocations, etc.

12.7.2 Dump

Display objects and memory

SYNTAX

- dump <Address> | <Namepath> [Byte | Word | Dword | Qword]

A generic command to dump all internal ACPI objects and memory. The operand can be a namespace name, a pointer to an ACPI object, or a pointer to random memory in the current address space. The command determines the type of ACPI object and decodes it into the appropriate fields

12.7.3 Exit

Terminate

SYNTAX

- exit

Terminate the ACPICA subsystem and exit the debugger.

12.7.4 Handlers

Display information about currently installed handlers

SYNTAX

- handlers

Displays information about all currently installed global handlers.

Example:



Operation Region Handlers:

SystemMemory (00)	: User	(00420420)
SystemIO (01)	: User	(00420420)
PCI_Config (02)	: Default	(00440F20)
EmbeddedControl (03)	: User	(00420420)
SMBus (04)	: User	(00420420)
SystemCMOS (05)	: None	
PCIBARTarget (06)	: User	(00420420)
IPMI (07)	: User	(00420420)
GeneralPurposeIo (08)	: User	(00420420)
GenericSerialBus (09)	: User	(00420420)
DataTable (7E)	: Default	(00441160)
FunctionalFixedHW (7F)	: User	(00420420)
User-defined ID (E4)	: User	(00420420)
User-defined ID (80)	: User	(00420420)

Fixed Event Handlers:

PM_Timer (00)	: None	
GlobalLock (01)	: User	(0041FEB0)
PowerButton (02)	: None	
SleepButton (03)	: None	
RealTimeClock (04)	: User	(0041FEB0)

Miscellaneous Global Handlers:

System Notifications	: User	(00480370)
Device Notifications	: User	(00480D30)
ACPI Table Events	: User	(00480D3C)
Control Method Exceptions	: User	(004805B0)
OSI Invocations	: User	(00480CE8)

12.7.5 Help

Get help

SYNTAX

- help

Displays a help screen with the syntax of each command and a short description of each.

12.7.6 History (! And !!)

Command line recall

SYNTAX

- history

- ! <Command Number>

- !!



last few commands. The “!” command can be used to select and re-execute a particular command from the numbered command buffer, or the “!!” command can be used to simply re-execute the immediately previous command.

12.7.7 Level

Set debug output level

SYNTAX

```
- level [<DebugLevel>] [console]
```

Sets the global debug output level of the ACPICA subsystem for both output directed to a file and output to the console.

12.7.8 Locks

Display mutex info and status

SYNTAX

```
- locks
```

This command displays information and current status of the various mutexes used for internal synchronization.

12.7.9 Osi

Display or modify the current list of supported interfaces for the _OSI method

SYNTAX

```
- osi [Install|Remove <interface name>]
```

This command displays or modifies the current contents of the global list of _OSI interfaces that are supported.

SUBCOMMANDS

```
- osi
```

The standalone command will display the entire global list of _OSI interfaces.

```
- osi install "My interface"
```

Installs an interface name into the global list.

```
- osi remove "Windows 2000"
```

Removes an interface from the global list.



12.7.10 Quit

Terminate

SYNTAX

- quit

Terminate the current execution mode. If executing (single stepping) a control method, the method is immediately aborted with an exception and the debugger returns to the normal command line mode. If no control method is executing, the ACPICA subsystem is terminated and the debugger exits.

12.7.11 Stats

Namespace statistics

SYNTAX

- stats [Allocations|Memory|Misc|Objects|Sizes|Stack|Tables]

Display namespace statistics that were gathered when the namespace was loaded. This includes information about the number of objects and their types, the amount of dynamic memory required, and the number of search operations performed on the namespace database.

SUBCOMMANDS

Allocations: Display a list of current dynamic memory allocations

Memory: Dump internal memory lists (If ACPICA memory cache is configured)

Misc: Namespace search and mutex use statistics

Objects: Summary of namespace objects

Sizes: Memory allocation sizes for each of the internal objects

Stack: Display CPU stack usage

Tables: Memory information about currently loaded ACPI tables

12.7.12 Tables

Display ACPI table info

SYNTAX

- tables

This command displays information about each of the loaded ACPI tables. It uses the internal `AcpiTbPrintTableHeader` function.



12.7.13 Unload

Unload table

SYNTAX

```
- unload <TableSignature> [Instance]
```

Unload an ACPI Table <Not implemented>

12.8 Namespace Access Commands

12.8.1 BusInfo

Display system bus information

SYNTAX

```
- businfo
```

This command displays information about all device objects that have a corresponding `_PRT` method. Information includes the `_ADR`, `_HID`, `_UID`, and `_CID`.

12.8.2 Disassemble

Disassemble a control method

SYNTAX

```
- disassemble <Method>
```

This command will disassemble the input method to the original ASL code.

12.8.3 Find

Find names in the Namespace

SYNTAX

```
- find <name>
```

Find an ACPI name or names within the current ACPI namespace. All names that match the given name are displayed as they are found in the namespace. Names are up to four characters, and wildcards are supported. A `'?'` in the name will match any character. Thus, the wildcarded name `"A???"` will match all names in the namespace that begin with the letter `"A"`.



12.8.4 Integrity

Validate namespace

SYNTAX

- integrity

This command validates the integrity of the entire loaded namespace. It walks the entire namespace and checks each namespace node for correctness.

12.8.5 Methods

List all control methods

SYNTAX

- methods

Displays a list of all control methods (and their full pathnames) that are contained within the current ACPI namespace. (Alias for the command “Object Methods”.)

12.8.6 Namespace

Display the loaded ACPI namespace

SYNTAX

- namespace [<Address> | <Namepath>] [Depth]

Dump all or a portion of the current ACPI namespace. If given with no parameter, this command displays the entire namespace, one named object per line with information about each object. If given the name of an object or a pointer to an object, it displays the subtree rooted by that object.

12.8.7 Notify

Generate a Notify

SYNTAX

- notify <Namepath> <Value>

Generates a notify on the specified device. This means that the notify handler for the device is invoked with the parameters specified.



12.8.8 Objects

Display typed objects

SYNTAX

- objects <Object Type>

Display objects within the namespace of the requested type.

The ObjectType parameter must be one of the following:

ANY
INTEGERS
STRINGS
BUFFERS
PACKAGES
FIELDS
DEVICES
EVENTS
METHODS
MUTEXES
REGIONS
POWERRESOURCES
PROCESSORS
THERMALZONES
BUFFERFIELDS
DDBHANDLES
DEBUG
REGIONFIELDS
BANKFIELDS
INDEXFIELDS
REFERENCES
ALIAS

12.8.9 Owner

Display namespace by owner ID

SYNTAX

- owner <Owner ID> [Depth]

Display objects within the namespace owned by the requested Owner ID.



12.8.10 Paths

Display the full pathnames of all objects in ACPI namespace

SYNTAX

- paths

Dumps the full pathnames and object types of all objects in the ACPI namespace. Alternative to the **namespace** command.

12.8.11 Predefined

Display and check all predefined methods/objects

SYNTAX

- predefined

This command displays and validates all predefined methods and objects (names that start with underscore and are predefined by the ACPI specification.)

The validation checks the input argument count (if object is a control method) against the count defined in the ACPI spec.

12.8.12 Prefix

Get or Set current prefix

SYNTAX

- prefix [<NamePath>]

Sets the pathname prefix that is prepended to namestrings entered into the debug and execute commands. This command is the equivalent of the “CD” command.

12.8.13 References

Find all references to an object within the namespace

SYNTAX

- references <Address>

Display all references to the object at the specified address.



12.8.14 Resources

Display device resources

SYNTAX

```
- resources <Address>
```

Display resource lists (_PRS, _CRS, _AEI, etc.) for the Device object at the specified address.

12.8.15 Set N

Set object value

SYNTAX

```
- set N <NamedObject> <Value>
```

This command sets the value of a namespace object.

12.8.16 Template

Display a Resource Template (buffer)

SYNTAX

```
- template <Address>
```

Disassemble a ResourceTemplate at the input address. The object must be a buffer.

12.8.17 Terminate

Shutdown ACPICA subsystem

SYNTAX

```
- terminate
```

Shutdown the ACPICA subsystem, but don't exit the debugger. This command is useful to find memory leaks in the form of objects left over after the subsystem deletes the entire namespace and all known internal objects. Any objects left over after shutdown are displayed and may be examined.



12.8.18 Type

Display object type

SYNTAX

- type <Object>

This command displays the type of a namespace object.

12.9 Control Method Execution Commands

During single stepping of a control method, the following commands are available. The debugger enters a slightly different command mode (as indicated by the ‘%’ prompt) when single stepping a control method to indicate that these commands are now available

12.9.1 Arguments

Display Method arguments

SYNTAX

- arguments

- args

Display all arguments to the currently executing control method

12.9.2 Breakpoint

Set control method breakpoint

SYNTAX

- breakpoint <AML Offset>

Set a breakpoint at the AML offset given. When execution reaches this offset, execution is stopped and the debugger is entered.

12.9.3 Call

Run to next call

SYNTAX

- call

Step execution of the current control method until the next method invocation (call) is encountered.



12.9.4 Debug

Single step a control method

SYNTAX

```
- debug <Namepath> [Arg0 Arg1 ...]
```

Begin execution of a control method in single step mode. Each AML opcode and its associated operand(s) is disassembled and displayed before execution. A single carriage return (Enter) single steps to the next AML opcode. The values of the arguments and the value of the return value (if any) are displayed for each opcode. See the section below, “Specifying Method Arguments” for details and syntax for Arg0...Argn.

12.9.5 Execute

Execute a control method

SYNTAX

```
- execute <Namepath> [Arg0 Arg1 ...]
```

Execute a control method. This command begins execution of the named method and lets it run to completion without single stepping. The return result if any is displayed after execution completes.

Supported objects for method arguments are Integers, Strings, Buffers, and Packages

12.9.5.1 Specifying Method Arguments

For both the *Debug* and *Execute* commands, up to seven arguments (ACPI maximum) for the control method may be specified on the command line. The following data types are supported:

- Integers
- Strings
- Buffers
- Packages (nested packages are supported)

The data types and command line syntax are described below. Individual arguments should be separated by spaces.

If a method requires one or more arguments and either no or too few arguments are specified on the command line, the debugger will create default arguments for the missing arguments. The default arguments are of type *Integer*.

Integers

This is the simplest data type and consists of a integer hex value. The maximum data width is either 32 bits or 64 bits, depending on the version of the loaded DSDT. Version 1 or less uses 32-bit integers. Version 2 or greater allows full 64-bit integers.

Strings

Strings are specified by surrounding the string with quotes.



Buffers

Buffers are specified via a list of hex byte values (separated by either commas or spaces). The list must be surrounded by parentheses.

Packages

Packages are specified via a list of package elements (Integers, Strings, Buffers, and Packages are supported). The list must be surrounded by brackets “[]”.

Example

This example shows a control method invocation with 4 arguments in this order: An integer, a string, a buffer, and a nested package. The package object contains an integer, a string, a buffer, and a nested package containing a single integer.

```
Execute TEST 1234 "abcd" (11 22 33 44) [5678 "efgh" (55 66 77 88) [9876]]
```

12.9.6 Go

Run method to next breakpoint

SYNTAX

- go

Cease single step mode and let the control method run freely until either a breakpoint is reached or the method terminates.

12.9.7 Information

Info about a control method

SYNTAX

- information

12.9.8 Into

Step into call

SYNTAX

- into

Step into a control method invocation instead of over the call. The default single step behavior is to step **over** control method calls, meaning that the call is executed and single stepping resumes after the call returns. Use this command to single step the execution of a called control method.



12.9.9 List

Disassemble AML code

SYNTAX

```
- list [<Opcode count>]
```

Disassemble the AML code of the current control method from the current AML offset for the length given. Useful for finding interesting places to set breakpoints.

12.9.10 Locals

Display method local variables

SYNTAX

```
- locals
```

Display the current values of all of the local variables for the current control method. When stepping into a control method invocation, the locals of the newly invoked method are displayed during the time that method is single stepped.

12.9.11 Results

Display method result stack

SYNTAX

```
- results
```

Display the current contents of the internal “Result Stack” for the control method.

12.9.12 Set

Set arguments or locals

SYNTAX

```
- set Arg|Local <ID> <Value>
```

Set the value of any of a method’s arguments or local variables. ID is 0-7 for method locals and 0-6 for method arguments.



12.9.13 Stop

Stop method

SYNTAX

- stop

Terminate the currently executing control method

12.9.14 Thread

Execute a control method with multiple threads

SYNTAX

- thread <number of threads> <number of loops> <Pathname>

Create the specified number of threads to execute the control method at <Pathname>. Each thread will execute the method <number of loops> times. The command waits until all threads have completed before returning.

12.9.15 Trace

Enable/Disable control method execution tracing

SYNTAX

- trace <subcommand> [<method namepath>] [Once]

SUBCOMMANDS

Enable	Enable tracing
Disable	Disable tracing
Method	Enable method execution messages
Opcode	Enable opcode execution messages

This command sets a trace command that will trace the input method if and when it is executed. Uses the AcpiDebugTrace interface. If <method namepath> is not specified, all executed control methods are traced. If <Once> is specified, the tracing is automatically disabled after the execution of the next control method.

NOTE: To fully enable tracing, use the “Level” command. For example:

```
Level 0x00FFFFFF console
```

Also, for AcpiExec (vs in-kernel debugger), tracing is enabled by opening a file and then executing debug commands. The trace is output to the file.



12.9.16 Tree

Display calling tree

SYNTAX

```
- tree
```

Display the calling tree of the current method (Displays all nested control method invocations.)

12.10 Hardware-Related Commands

12.10.1 Event

Generate an ACPI Event

SYNTAX

```
- event <Value>
```

Generate an ACPI event to test event handling <NOT IMPLEMENTED>

12.10.2 Gpe

Generate a GPE

SYNTAX

```
- gpe <GPE number> [GPE Block Device]
```

Generate a GPE at the GPE number within the GPE block specified on the specified GPE Block Device (A namespace node). The GPE Block Device is an optional argument. If not specified, the GPE Block Device defaults to the FADT-defined GPE blocks (GPE0 and GPE1). Similarly, a GPE Block Device of 0 or 1 refers to the FADT GPE blocks.

12.10.3 Gpes

Display GPE block information

SYNTAX

```
- gpes
```

Display information on all GPE blocks, including the FADT-defined GPE blocks (GPE0 and GPE1) and all loaded GPE Block Devices.



12.10.4 Sci

Generate an ACPI System Control Interrupt

SYNTAX

```
- sci
```

Generate an ACPI SCI to test SCI handling and handler dispatch. Invokes all host-installed handlers.

12.10.5 Sleep

Simulate ACPI Sleep/Wake sequences

SYNTAX

```
- sleep <SleepState>
```

This command simulates the sleep/wake sequence. SleepState should be an integer, 0-5. The following ACPICA interfaces are executed:

```
AcpiEnterSleepStatePrep  
AcpiEnterSleepState  
AcpiLeaveSleepState
```

If the optional SleepState is not specified (command is invoked with no arguments), then all of the possible sleep states (0-5) are executed.

12.11 File I/O Commands

12.11.1 Close

Close debug output file

SYNTAX

```
- close
```

Close the debug output file, if one is currently open. Using Exit or Quit to terminate the debugger will automatically close any open file.



12.11.2 Load

Load ACPI table

SYNTAX

```
- load <Filename>
```

Load an ACPI table into the namespace from a file.

12.11.3 Open

Open debug output file

SYNTAX

```
- open <Filename>
```

Open a file for debug output.

12.12 Debug Test Commands

12.12.1 Test Objects

Exercise namespace data objects (read/write/compare)

SYNTAX

```
- test objects
```

Perform a read/write/compare on all “data” objects in the namespace – Integers, Strings, Buffers, FieldUnits, and BufferFields. Restores the original value of each object.

12.12.2 Test Predefined

Execute all predefined ACPI names in the namespace (_STA, etc.)

SYNTAX

```
- test predefined
```

Executes all predefined names in the namespace (all names that begin with an underscore). Provides arguments that are appropriate for each name, as necessary.



This page intentionally left blank.