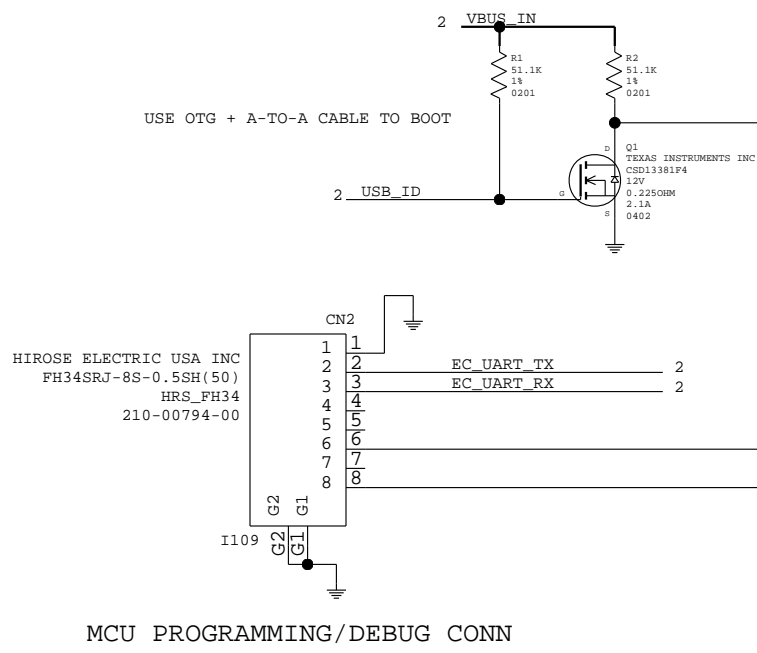
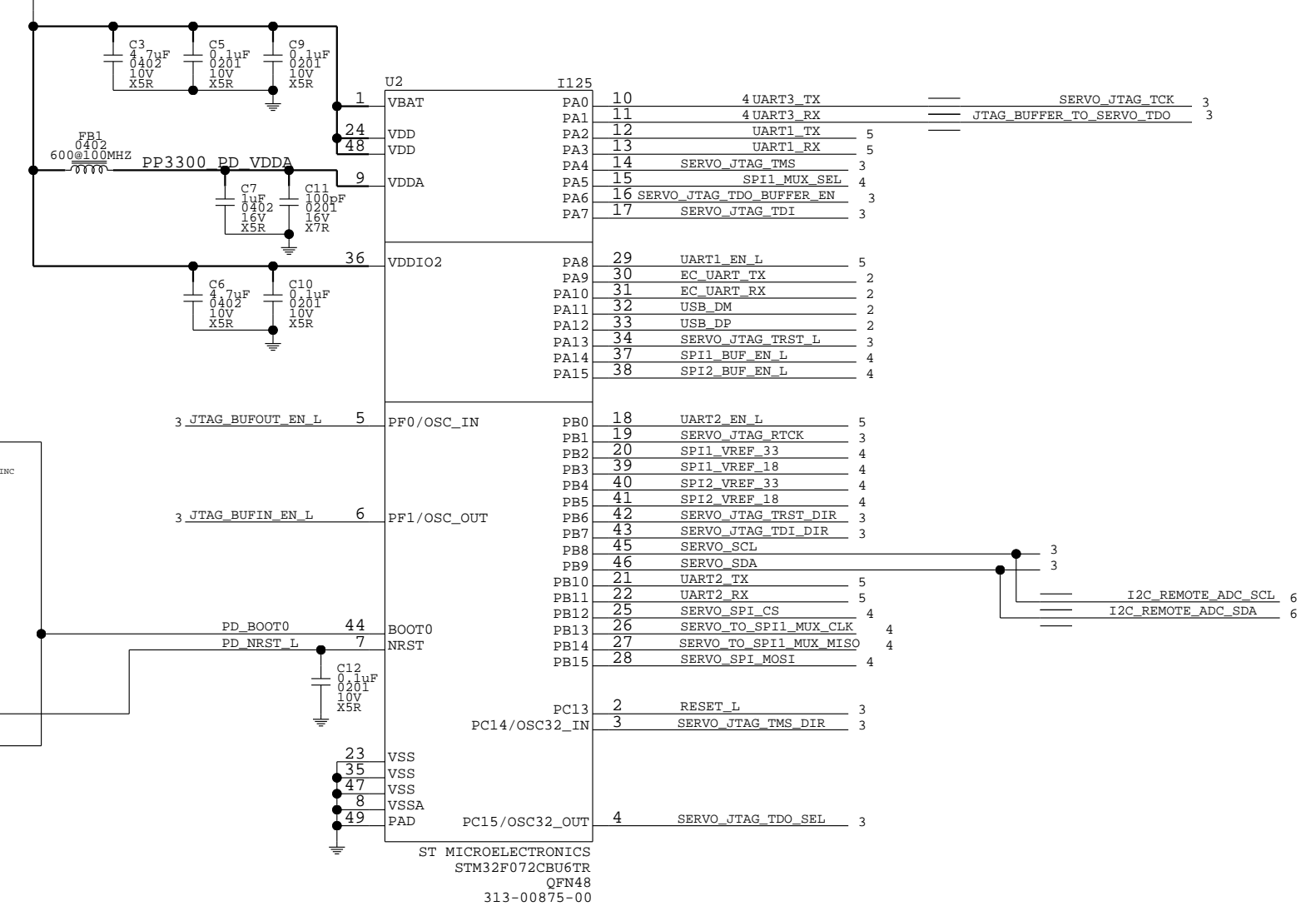


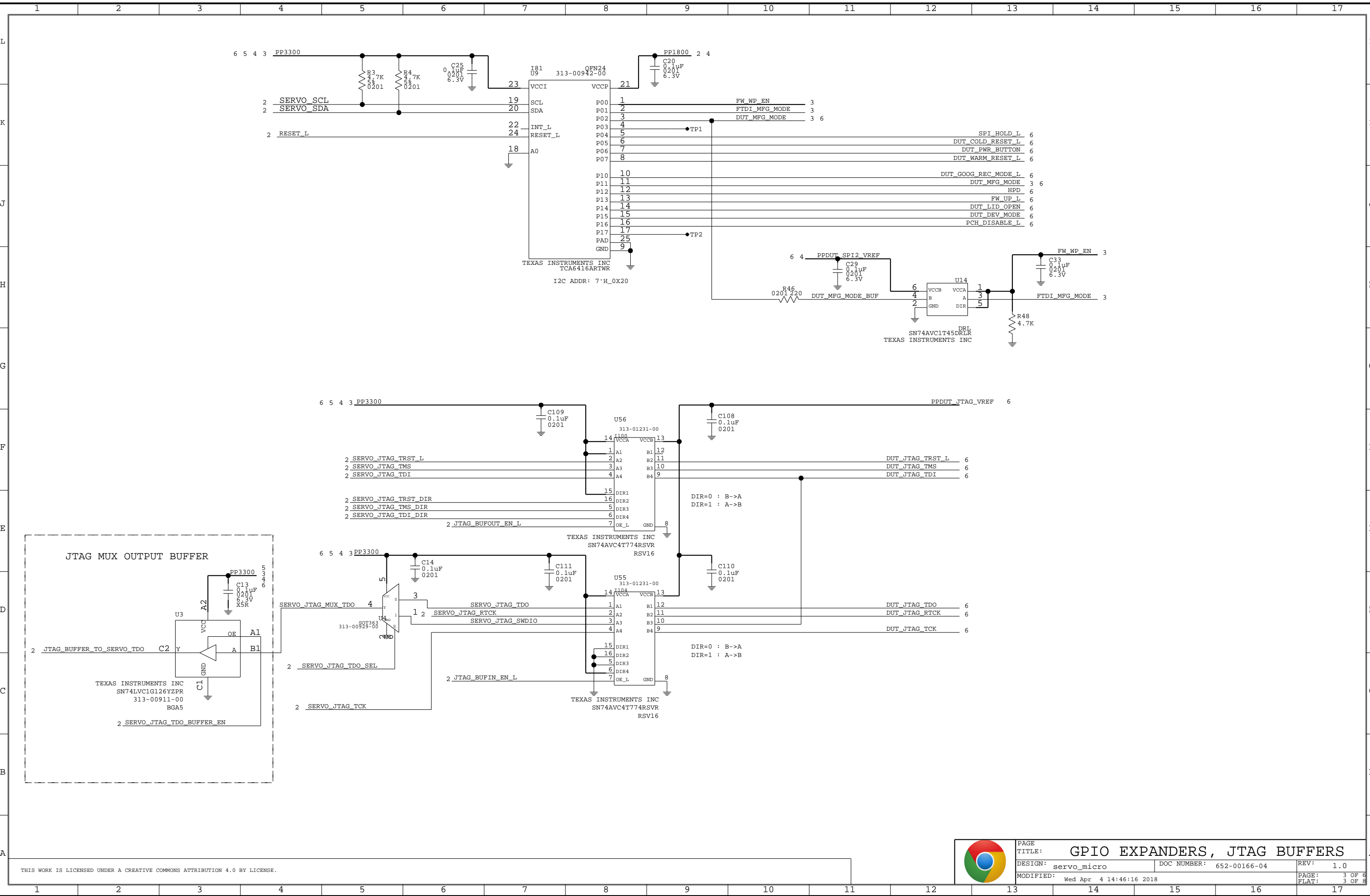
\*\* WE COULD MAKE THIS TYPE-C INSTEAD!

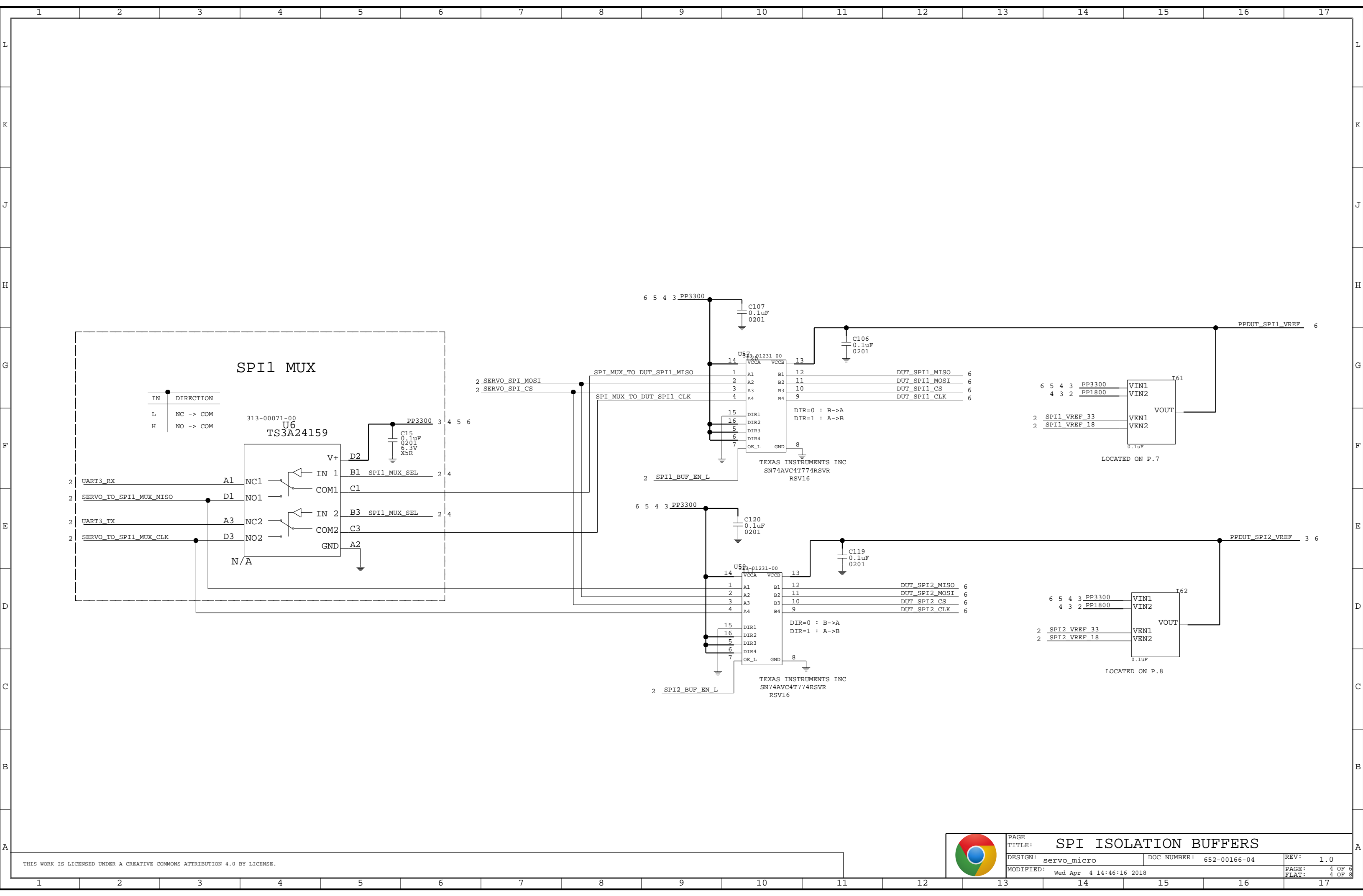
BASEBAND PD/PORT MCU



MCU PROGRAMMING/DEBUG CONN



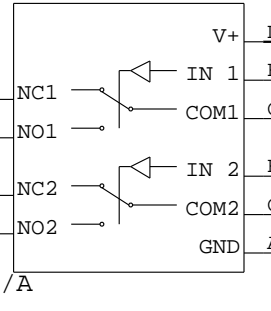




IN	DIRECTION
L	NC -> COM
H	NO -> COM

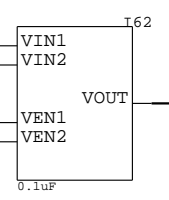
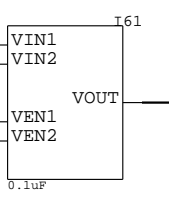
**SPI1 MUX**

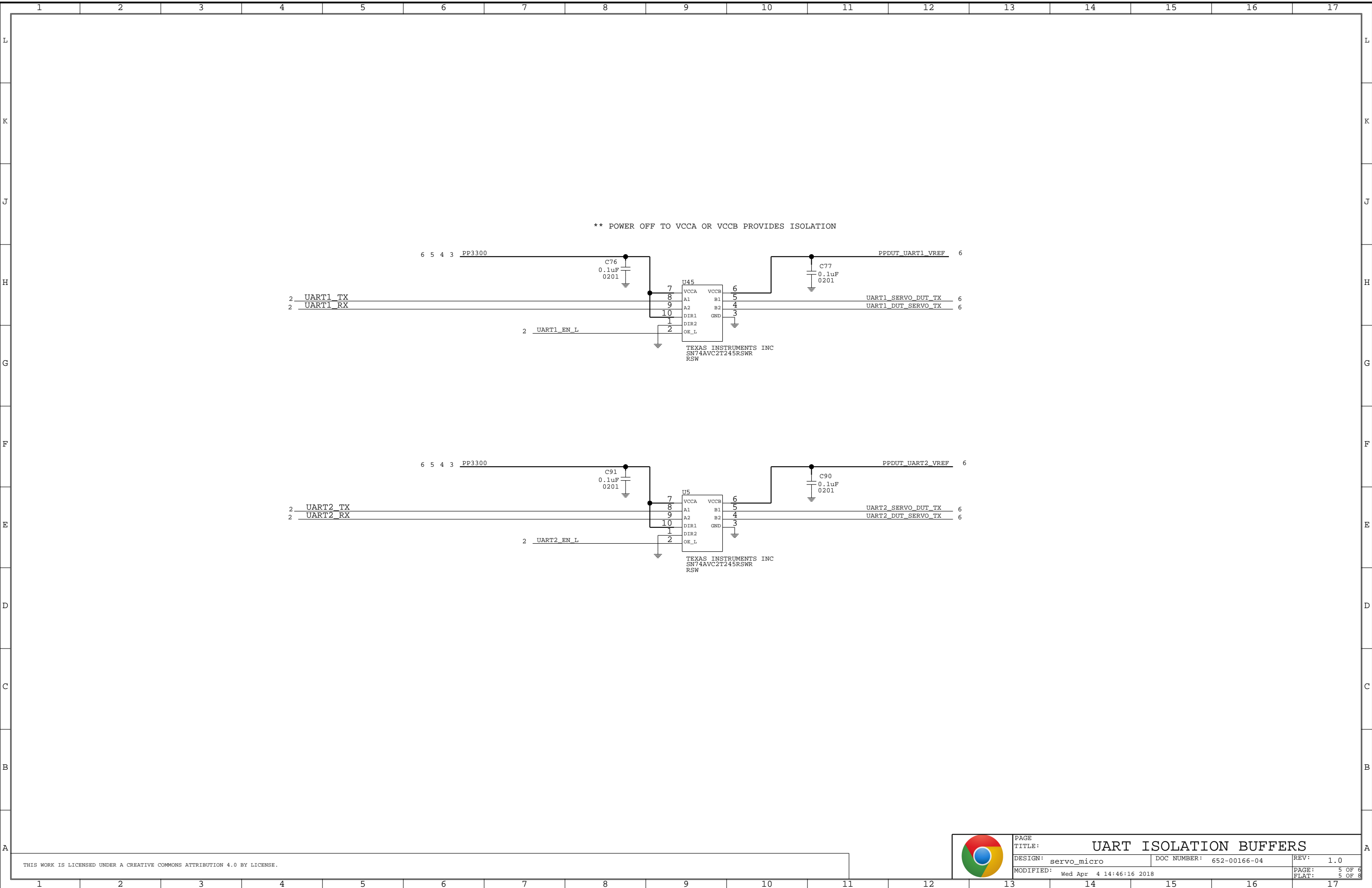
313-00071-00  
U6  
TS3A24159

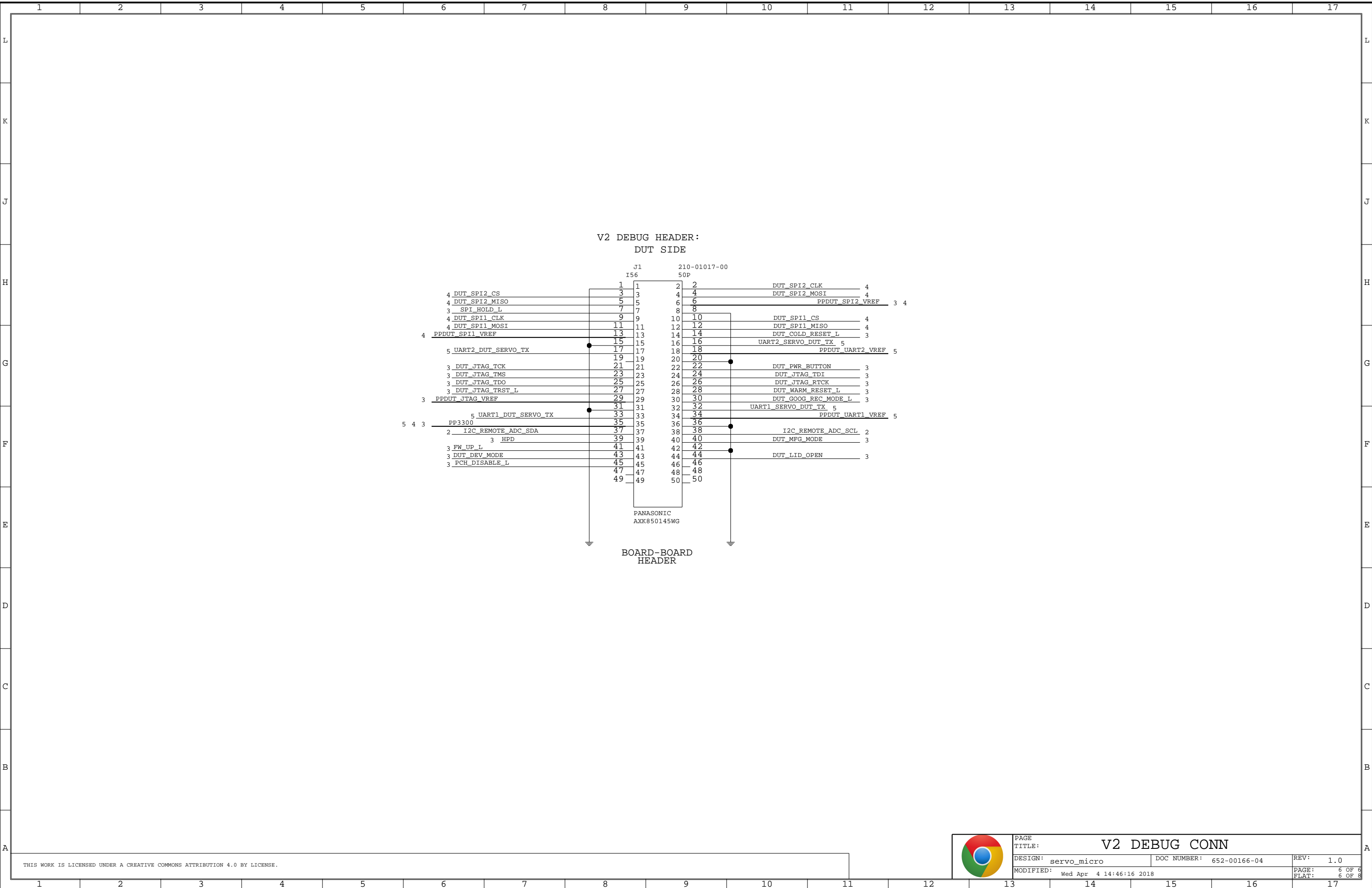


U57: SN74AVC4T774RSVR RSV16

U58: SN74AVC4T774RSVR RSV16







V2 DEBUG HEADER:  
DUT SIDE

